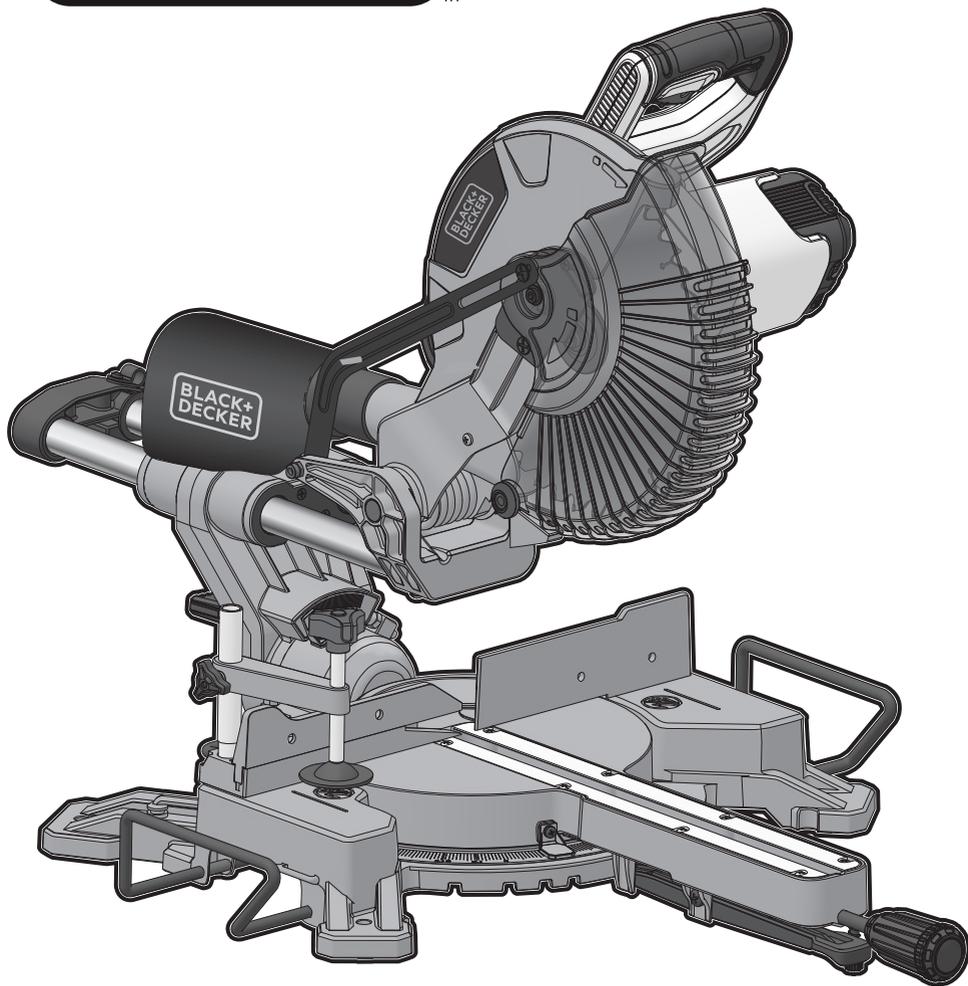


**BLACK+
DECKER**™



www.blackanddecker.eu

**BES700
BES710**

EN

DE

FR

IT

NL

ES

PT

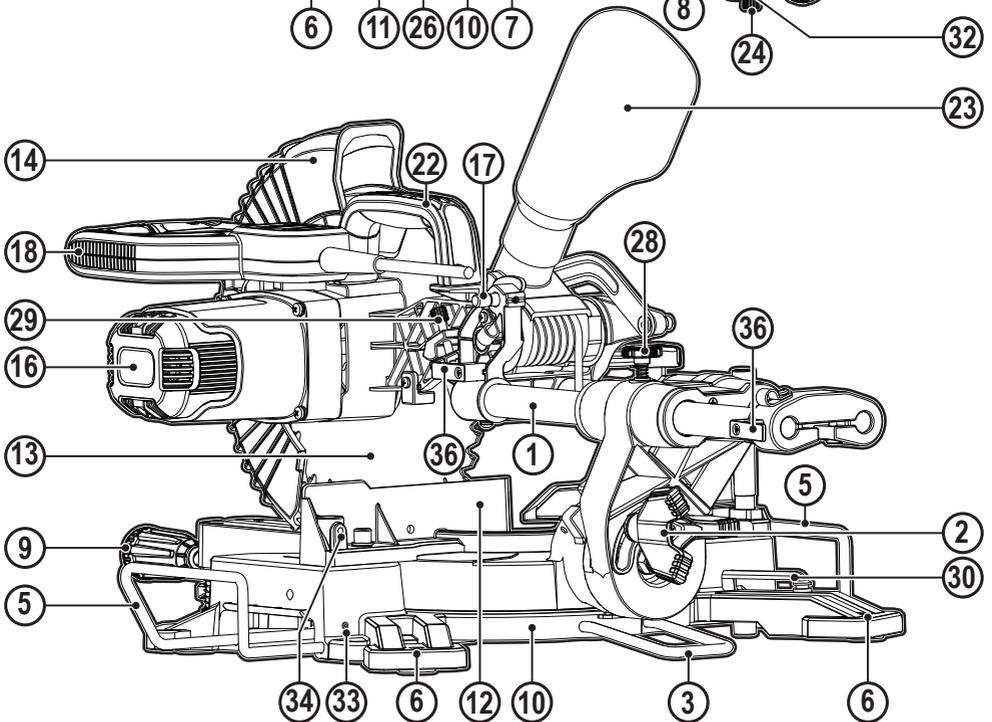
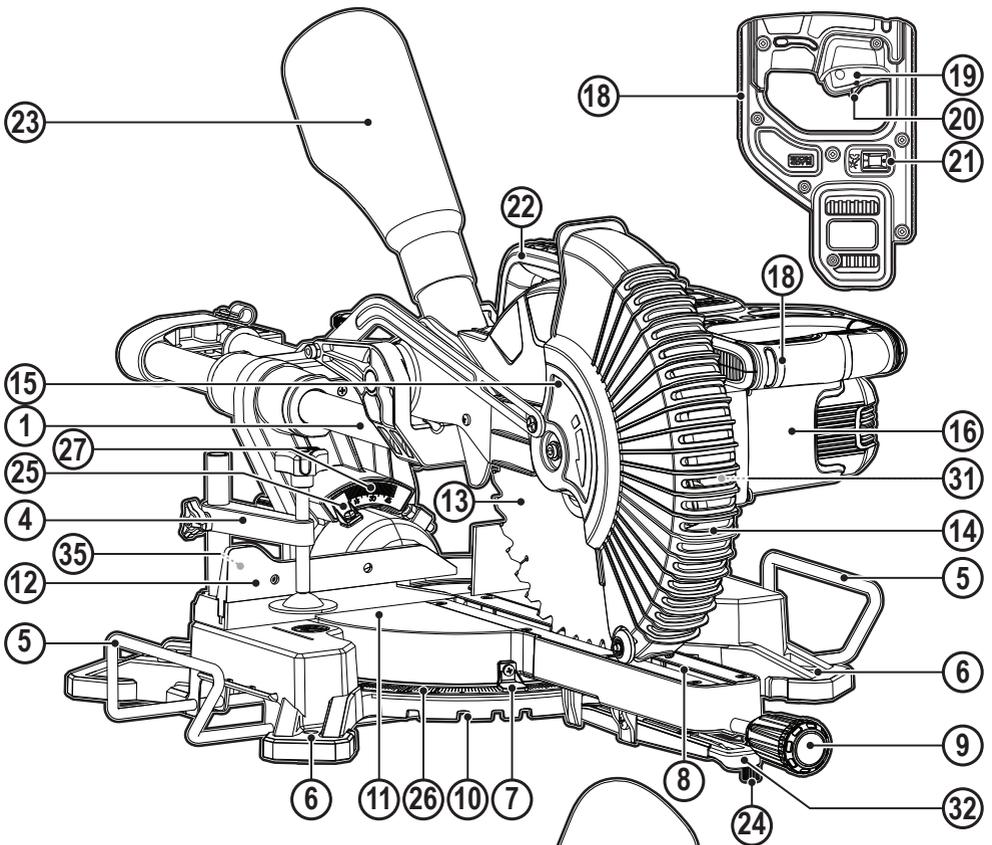
SV

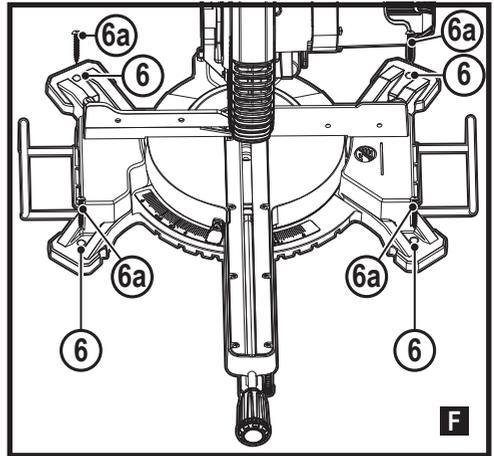
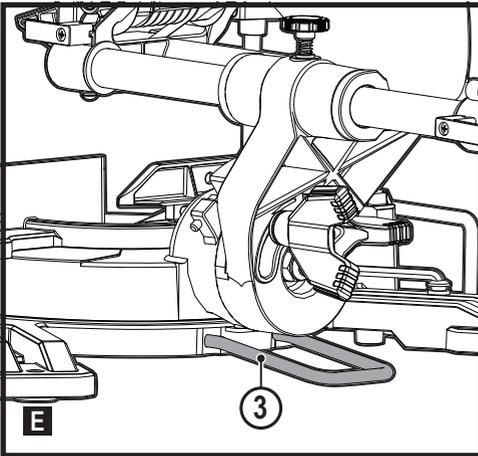
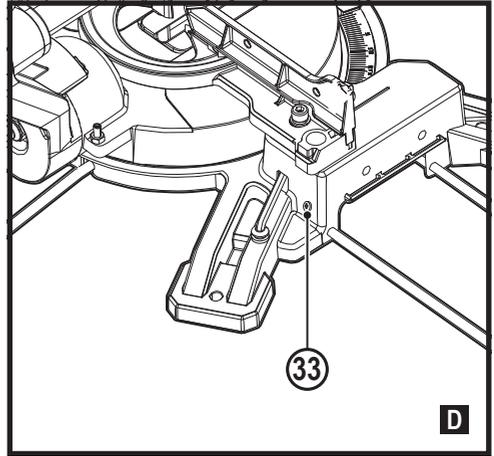
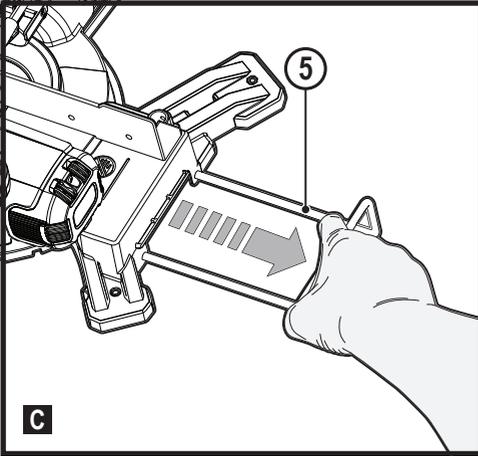
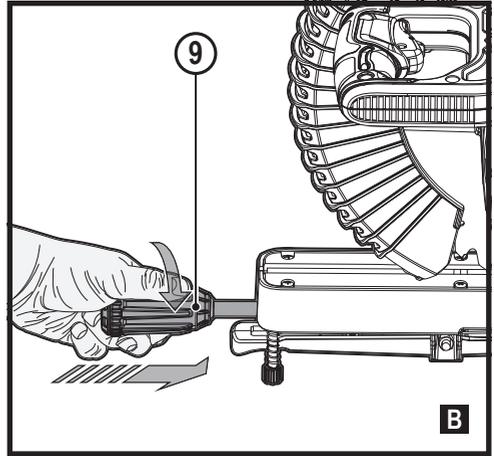
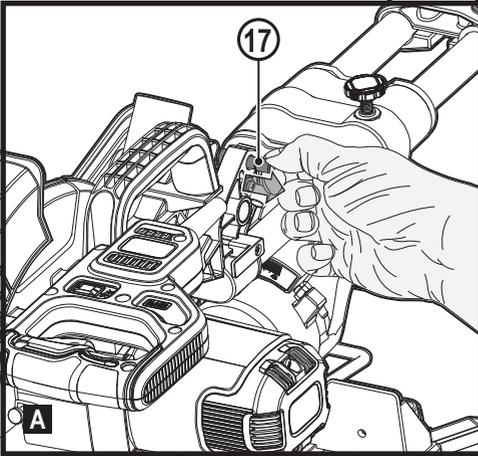
NO

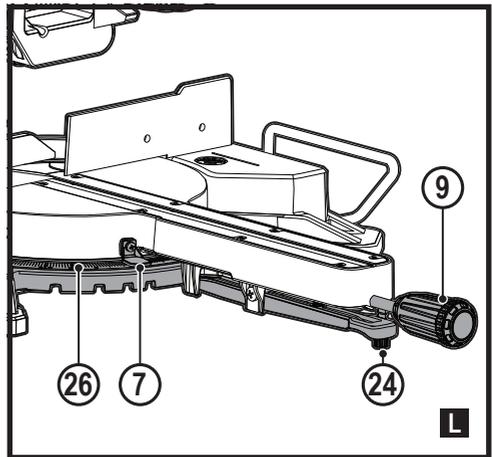
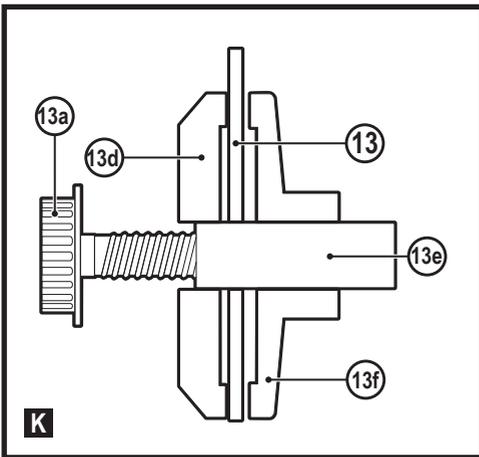
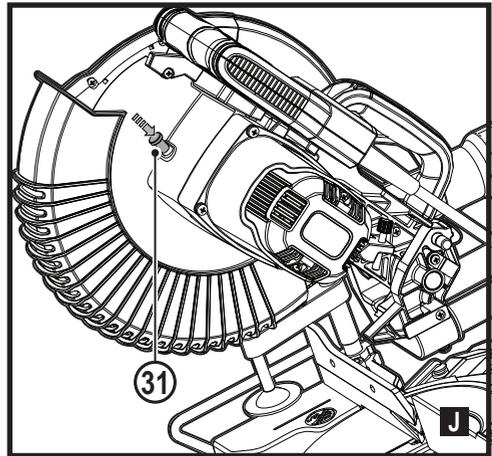
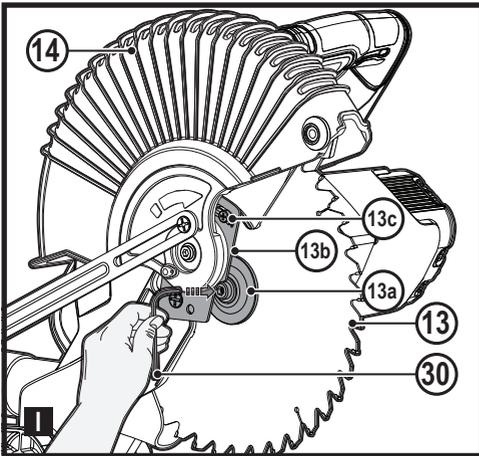
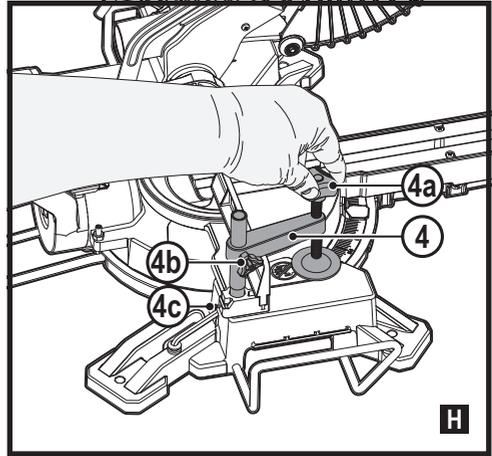
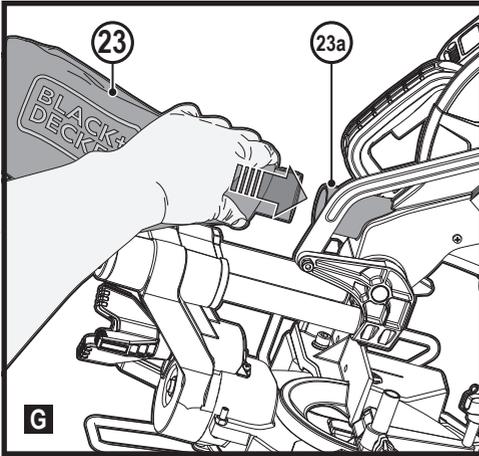
DK

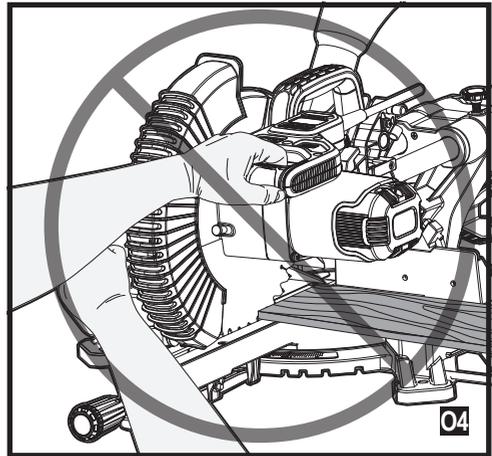
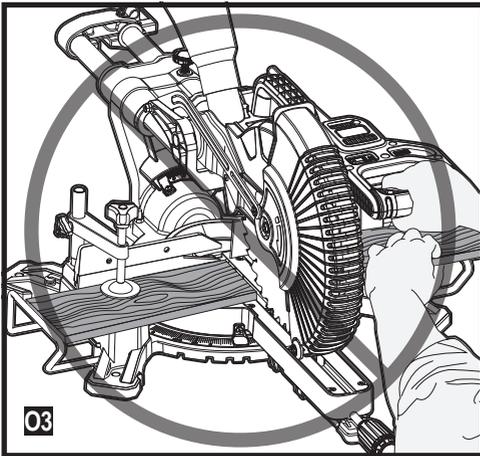
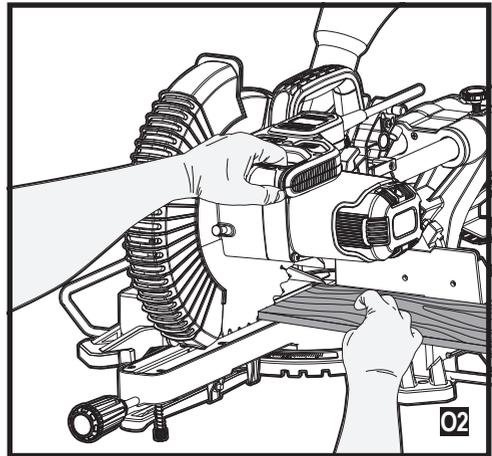
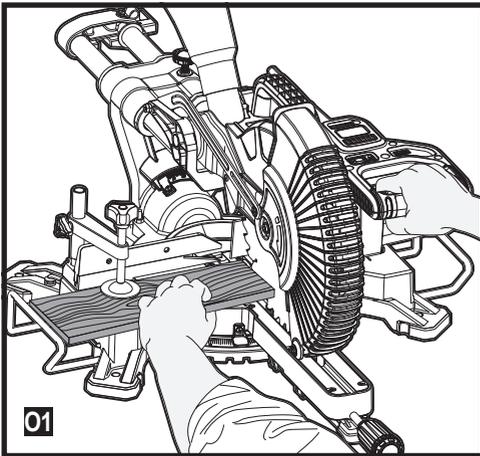
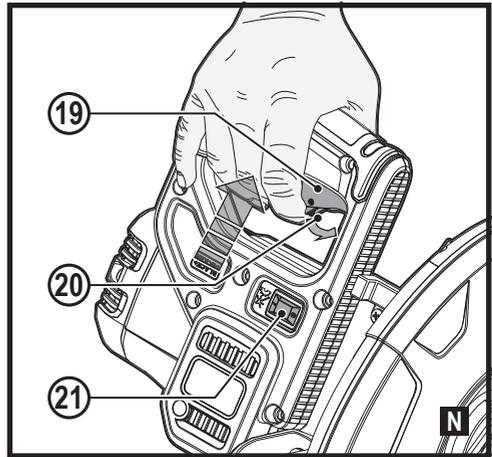
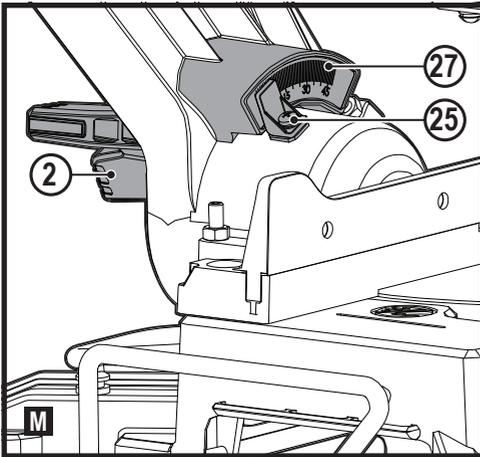
FI

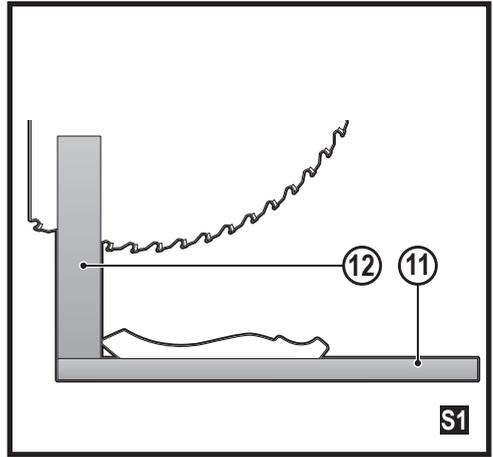
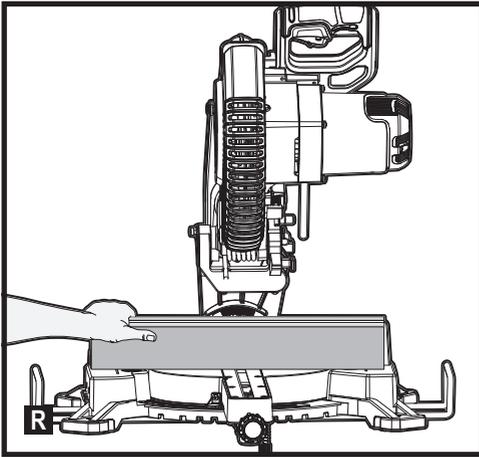
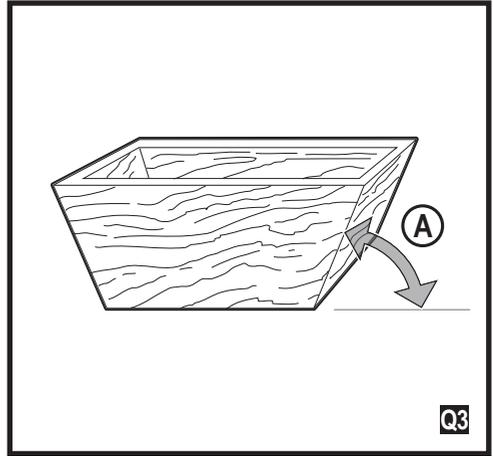
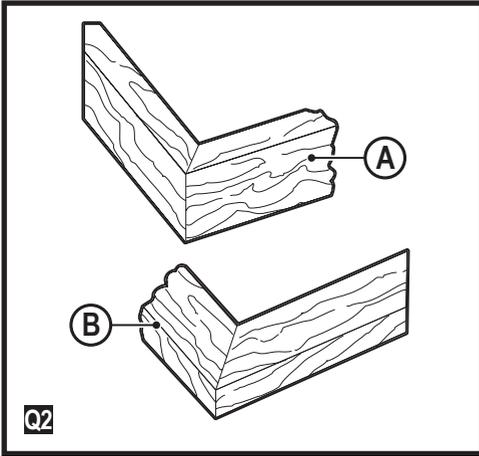
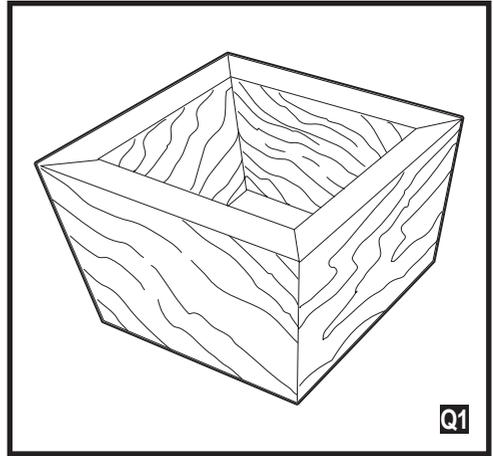
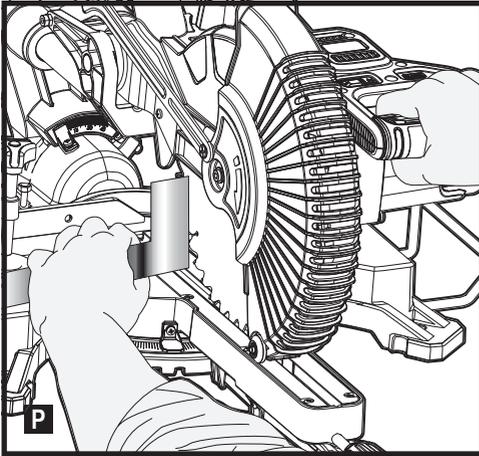
EL

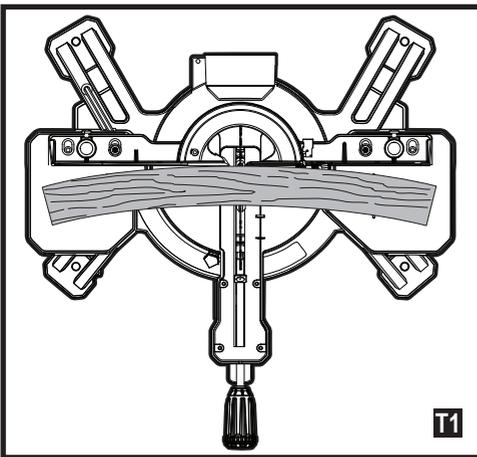
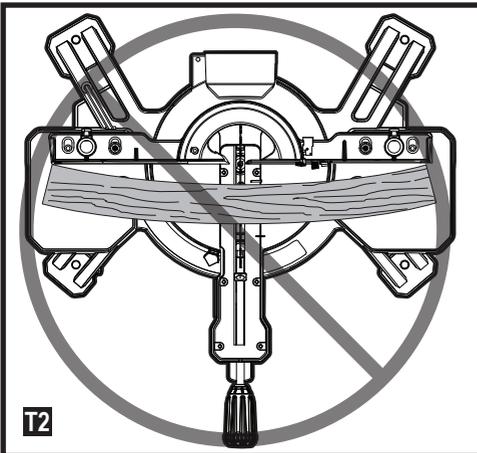
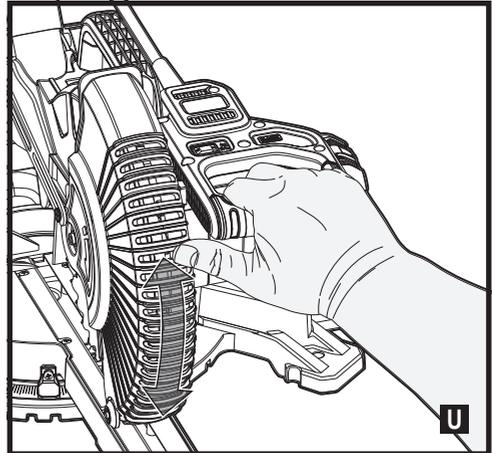
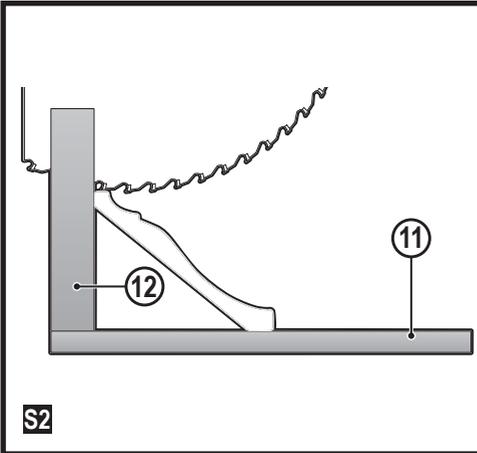












Intended use

Your BLACK+DECKER BES700, BES710 sliding compound mitre saw has been designed for sawing wood, plastic and nonferrous metal only. This tool is intended for non professional users.

Safety instructions

General power tool safety warnings



Warning! Read all safety warnings, instructions, illustrations and specifications provided with power tool. Failure to follow the warnings and instructions listed below may result in electric shock, fire and/or serious injury.

Save all warnings and instructions for future reference.

The term "power tool" in all of the warnings listed below refers to your mains operated (corded) power tool or battery operated (cordless) power tool.

1. Work area safety

- Keep work area clean and well lit.** Cluttered or dark areas invite accidents.
- Do not operate power tools in explosive atmospheres, such as in the presence of flammable liquids, gases or dust.** Power tools create sparks which may ignite the dust or fumes.
- Keep children and bystanders away while operating a power tool.** Distractions can cause you to lose control.

2. Electrical safety

- Power tool plugs must match the outlet. Never modify the plug in any way. Do not use any adapter plugs with earthed (grounded) power tools.** Unmodified plugs and matching outlets will reduce risk of electric shock.

- b. **Avoid body contact with earthed or grounded surfaces such as pipes, radiators, ranges and refrigerators.** There is an increased risk of electric shock if your body is earthed or grounded.
- c. **Do not expose power tools to rain or wet conditions.** Water entering a power tool will increase the risk of electric shock.
- d. **Do not abuse the cord. Never use the cord for carrying, pulling or unplugging the power tool. Keep cord away from heat, oil, sharp edges or moving parts.** Damaged or entangled cords increase the risk of electric shock.
- e. **When operating a power tool outdoors, use an extension cord suitable for outdoor use.** Use of a cord suitable for outdoor use reduces the risk of electric shock.
- f. **If operating a power tool in a damp location is unavoidable, use a residual current device (RCD) protected supply.** Use of an RCD reduces the risk of electric shock.
3. **Personal safety**
- a. **Stay alert, watch what you are doing and use common sense when operating a power tool. Do not use a power tool while you are tired or under the influence of drugs, alcohol or medication.** A moment of inattention while operating power tools may result in serious personal injury.
- b. **Use personal protective equipment. Always wear eye protection.** Protective equipment such as dust mask, non-skid safety shoes, hard hat, or hearing protection used for appropriate conditions will reduce personal injuries.
- c. **Prevent unintentional starting. Ensure the switch is in the off-position before connecting to power source and/or battery pack, picking up or carrying the tool.** Carrying power tools with your finger on the switch or energising power tools that have the switch on invites accidents.
- d. **Remove any adjusting key or wrench before turning the power tool on.** A wrench or a key left attached to a rotating part of the power tool may result in personal injury.
- e. **Do not overreach. Keep proper footing and balance at all times.** This enables better control of the power tool in unexpected situations.
- f. **Dress properly. Do not wear loose clothing or jewellery. Keep your hair and clothing away from moving parts.** Loose clothes, jewellery or long hair can be caught in moving parts.
- g. **If devices are provided for the connection of dust extraction and collection facilities, ensure these are connected and properly used.** Use of dust collection can reduce dust-related hazards.
- h. **Do not let familiarity gained from frequent use of tools allow you to become complacent and ignore tool safety principles.** A careless action can cause severe injury within a fraction of a second.
4. **Power tool use and care**
- a. **Do not force the power tool. Use the correct power tool for your application.** The correct power tool will do the job better and safer at the rate for which it was designed.
- b. **Do not use the power tool if the switch does not turn it on and off.** Any power tool that cannot be controlled with the switch is dangerous and must be repaired.
- c. **Disconnect the plug from the power source and/or the battery pack from the power tool before making any adjustments, changing accessories, or storing power tools.** Such preventive safety measures reduce the risk of starting the power tool accidentally.
- d. **Store idle power tools out of the reach of children and do not allow persons unfamiliar with the power tool or these instructions to operate the power tool.** Power tools are dangerous in the hands of untrained users.
- e. **Maintain power tools and accessories. Check for misalignment or binding of moving parts, breakage of parts and any other condition that may affect the power tools operation. If damaged, have the power tool repaired before use.** Many accidents are caused by poorly maintained power tools.
- f. **Keep cutting tools sharp and clean.** Properly maintained cutting tools with sharp cutting edges are less likely to bind and are easier to control.
- g. **Use the power tool, accessories and tool bits etc. in accordance with these instructions, taking into account the working conditions and the work to be performed.** Use of the power tool for operations different from those intended could result in a hazardous situation.
- h. **Keep handles and grasping surfaces dry, clean and free from oil and grease.** Slippery handles and greasy surfaces do not allow for safe handling and control of the tool in unexpected situations.
5. **Service**
- a. **Have your power tool serviced by a qualified repair person using only identical replacement parts.** This will ensure that the safety of the power tool is maintained.

Safety instructions for mitre saws

- ◆ **Mitre saws are intended to cut wood or wood-like products, they cannot be used with abrasive cut-off wheels for cutting ferrous material such as bars, rods, studs, etc.** Abrasive dust causes moving parts such as the lower guard to jam. Sparks from abrasive cutting will

burn the lower guard, the kerf insert and other plastic parts.

- ◆ **Use clamps to support the workpiece whenever possible. If supporting the workpiece by hand, you must always keep your hand at least 100 mm from either side of the saw blade. Do not use this saw to cut pieces that are too small to be securely clamped or held by hand.** If your hand is placed too close to the saw blade, there is an increased risk of injury from blade contact.
- ◆ **The workpiece must be stationary and clamped or held against both the fence and the table. Do not feed the workpiece into the blade or cut “freehand” in any way.** Unrestrained or moving workpieces could be thrown at high speeds, causing injury.
- ◆ **Push the saw through the workpiece. Do not pull the saw through the workpiece. To make a cut, raise the saw head and pull it out over the workpiece without cutting, start the motor, press the saw head down and push the saw through the workpiece.** Cutting on the pull stroke is likely to cause the saw blade to climb on top of the workpiece and violently throw the blade assembly towards the operator.
- ◆ **Never cross your hand over the intended line of cutting either in front or behind the saw blade.** Supporting the workpiece “cross handed” i.e. holding the workpiece to the right of the saw blade with your left hand or vice versa is very dangerous.
- ◆ **Do not reach behind the fence with either hand closer than 100 mm from either side of the saw blade, to remove wood scraps, or for any other reason while the blade is spinning.** The proximity of the spinning saw blade to your hand may not be obvious and you may be seriously injured.
- ◆ **Inspect your workpiece before cutting. If the workpiece is bowed or warped, clamp it with the outside bowed face toward the fence. Always make certain that there is no gap between the workpiece, fence and table along the line of the cut.** Bent or warped workpieces can twist or shift and may cause binding on the spinning saw blade while cutting. There should be no nails or foreign objects in the workpiece.
- ◆ **Do not use the saw until the table is clear of all tools, wood scraps, etc., except for the workpiece.** Small debris or loose pieces of wood or other objects that contact the revolving blade can be thrown with high speed.
- ◆ **Cut only one workpiece at a time.** Stacked multiple workpieces cannot be adequately clamped or braced and may bind on the blade or shift during cutting.
- ◆ **Ensure the mitre saw is mounted or placed on a level, firm work surface before use.** A level and firm work surface reduces the risk of the mitre saw becoming unstable.

- ◆ **Plan your work. Every time you change the bevel or mitre angle setting, make sure the adjustable fence is set correctly to support the workpiece and will not interfere with the blade or the guarding system.** Without turning the tool “ON” and with no workpiece on the table, move the saw blade through a complete simulated cut to assure there will be no interference or danger of cutting the fence.
- ◆ **Provide adequate support such as table extensions, saw horses, etc. for a workpiece that is wider or longer than the table top.** Workpieces longer or wider than the mitre saw table can tip if not securely supported. If the cut-off piece or workpiece tips, it can lift the lower guard or be thrown by the spinning blade.
- ◆ **Do not use another person as a substitute for a table extension or as additional support.** Unstable support for the workpiece can cause the blade to bind or the workpiece to shift during the cutting operation pulling you and the helper into the spinning blade.
- ◆ **The cut-off piece must not be jammed or pressed by any means against the spinning saw blade.** If confined, i.e. using length stops, the cut-off piece could get wedged against the blade and thrown violently.
- ◆ **Always use a clamp or a fixture designed to properly support round material such as rods or tubing.** Rods have a tendency to roll while being cut, causing the blade to “bite” and pull the work with your hand into the blade.
- ◆ **Let the blade reach full speed before contacting the workpiece.** This will reduce the risk of the workpiece being thrown.
- ◆ **If the workpiece or blade becomes jammed, turn the mitre saw off. Wait for all moving parts to stop and disconnect the plug from the power source and/or remove the battery pack. Then work to free the jammed material.** Continued sawing with a jammed workpiece could cause loss of control or damage to the mitre saw.
- ◆ **After finishing the cut, release the switch, hold the saw head down and wait for the blade to stop before removing the cut-off piece.** Reaching with your hand near the coasting blade is dangerous.

Additional safety instructions for mitre saws

- ◆ **Hold the handle firmly when making an incomplete cut or when releasing the switch before the saw head is completely in the down position.** The braking action of the saw may cause the saw head to be suddenly pulled downward, causing a risk of injury.
- ◆ The intended use is described in this instruction manual. The use of any accessory or attachment or performance of any operation with this tool other than those recommended in this instruction manual may present a risk of personal injury and/or damage to property.
- ◆ Do not use cracked/bent/damaged/deformed saw blades.

- ◆ Replace the kerf plate when worn.
- ◆ Do not use blades of larger or smaller diameter than recommended. For the proper blade rating refer to the technical data. Use only the blades specified in this manual, complying with EN 847-1.
- ◆ Do not use High Speed Steel (HSS) saw blades.



Warning! Contact with or inhalation of dusts arising from sawing applications may endanger the health of the operator and possible bystanders. Wear a dust mask specifically designed for protection against dust and fumes and ensure that persons within or entering the work area are also protected.

- ◆ Do not work with material containing asbestos. Asbestos is considered to be carcinogenic.
- ◆ Wear gloves when handling saw blades and rough material (saw blades should be carried in a holder when practicable).
- ◆ Wear hearing protection to reduce the risk of induced hearing loss.
- ◆ Consider using specially designed noise-reduction blades.
- ◆ Wear eye protection to reduce the risk of personal injury.
- ◆ Use the dust bag provided when sawing wood.
- ◆ **Hold power tool by insulated gripping surfaces when performing an operation where the cutting accessory may contact hidden wiring or its own cord.** Cutting accessory contacting a "live" wire may make exposed metal parts of the power tool "live" and could give the operator an electric shock
- ◆ Select the correct blade for the material to be cut.
- ◆ Do not operate the machine without the guard in position. Do not operate the machine if the guard does not function or is not maintained properly.
- ◆ Ensure that the arm is securely fixed when performing bevel cuts.
- ◆ Before each cut ensure that the machine is stable.
- ◆ Keep handles dry, clean and free from oil and grease.
- ◆ Keep the surrounding area of the machine well maintained and free of loose materials, e.g. chips and off-cuts.
- ◆ Ensure the machine and the work area are provided with adequate general or localised lighting.
- ◆ Do not allow untrained people to operate this machine.
- ◆ Ensure that the blade is mounted correctly before use. Make sure that the blade rotates in the correct direction. Keep the blade sharp. Follow instruction for lubricating and changing accessories.
- ◆ Ensure the speed marked on the saw blade is at least equal to the speed marked on the saw.
- ◆ Ensure that any spacers and spindle rings used are suitable for the purpose as stated by BLACK+DECKER.
- ◆ Repairs to the cut line guidance system should be carried out by authorised repair agents or BLACK+DECKER service staff.

- ◆ Unplug the machine before carrying out any maintenance or when changing the blade.
- ◆ Never perform any cleaning, maintenance, removal of any off-cuts or other parts of the work piece from the cutting area when the machine is running and the saw head is not in the rest position.
- ◆ When possible, always mount the machine to a bench.
- ◆ Make sure all locking knobs and handles are tight before starting any operation.
- ◆ Never use your saw without the table insert.
- ◆ Never attempt to stop the machine in motion rapidly by jamming a tool or other means against the blade; serious accidents can be caused unintentionally in this way.
- ◆ Before using or fitting any accessory consult the instruction manual. The improper use of an accessory can cause damage.
- ◆ Raise the blade from the table insert in the work piece prior to releasing the on/of switch.
- ◆ Do not wedge anything against the fan to hold the motor shaft.
- ◆ The blade guard on your saw will automatically raise when the arm is brought down; it will lower over the blade when the arm is raised. The guard can be raised by hand when installing or removing saw blades or for inspection of the saw. Never raise the blade guard manually unless the machine is switched off.
- ◆ Check periodically that the motor air slots are clean and free of chips.
- ◆ Never make the warning signs on the power tool unrecognisable.
- ◆ Never stand on the power tool. Serious injuries could occur when the power tool tips over or when coming in contact with the saw blade.
- ◆ Do not take hold of the saw blade after working before it has cooled. The saw blade becomes very hot while working.
- ◆ To avoid injury from materials being thrown, unplug the saw to avoid accidental starting, and then remove small materials.
- ◆ Before use and after any maintenance the blade guard must be checked to ensure proper function. This test must be performed with the saw switched off and unplugged. The arm must be raised and lowered to ensure the guard covers the blade and the blade does not contact the guard. If the guard fails to operate correctly, have your power tool serviced by a qualified repair agent. Call BLACK+DECKER customer services for you nearest service agent.
- ◆ **This mitre saw has been designed for sawing wood, plastic and nonferrous metal only.** Do not use the saw to cut other materials than those recommended by the manufacturer.

- ◆ Do not take hold of the saw blade after working before it has cooled. The saw blade becomes very hot while working.



Warning! Cutting plastics, sap coated wood, and other materials may cause melted material to accumulate on the blade tips and the body of the saw blade, increasing the risk of the blade overheating and binding while cutting.

Residual risks

The following risks are inherent to the use of saws:

Even with the application of the relevant safety regulations and the implementation of safety devices, certain residual risks can not be avoided. These include:

- ◆ Injuries caused by touching any rotating/moving parts.
- ◆ Impairment of hearing.
- ◆ Risk of accidents caused by the uncovered parts of the rotating saw blade.
- ◆ Risk of injury when changing any parts, blades or accessories.
- ◆ Risk of squeezing fingers when opening the guards.
- ◆ Health hazards caused by breathing dust developed when sawing wood, especially oak, beech and MDF.
- ◆ Injuries caused by prolonged use of a tool. When using any tool for prolonged periods ensure you take regular breaks.

Noise

The declared noise emission values have been measured in accordance with a standard test method and may be used for comparing one tool with another.

The declared noise emission values may also be used in a preliminary assessment of exposure.

Warning! The noise emissions during actual use of the power tool can differ from the declared values depending on the ways in which the tool is used especially what kind of workpiece is processed.

Warning! Always wear proper personal hearing protection. Under some conditions and duration of use, noise from this product may contribute to hearing loss. Be aware of the following factors influencing exposure to noise:

- ◆ Use saw blades designed to reduce the emitted noise,
- ◆ Use only well sharpened saw blades, and
- ◆ Use specifically designed noise-reduction saw blades.

Labels on tool

The following pictograms along with the date code are shown on the tool:



Warning! To reduce the risk of injury, the user must read the instruction manual.



Wear safety glasses or goggles



Wear ear protection



Wear a dust mask



This product is not to be used by children under 16



Keep hands away from blade



No Hands Zone - Keep fingers and arms away from rotational saw blades



Wear gloves when handling saw blades



Do not stare at operating lamp



Do not expose to rain.



Disconnect the mains plug if the cord becomes damaged or entangled.

Electrical safety



This tool is double insulated; therefore no earth wire is required. Always check that the power supply corresponds to the voltage on the rating plate.

- ◆ If the supply cord is damaged, it must be replaced by the manufacturer or an authorised BLACK+DECKER Service Centre in order to avoid a hazard.

Voltage drops

Inrush currents cause short-time voltage drops. Under unfavourable power supply conditions, other equipment may be affected. If the system impedance of the power supply is lower than 0.178 Ω, disturbances are unlikely to occur.

Using an extension cable

Always use an approved extension cable suitable for the power input of this tool (see technical data). Before use, inspect the extension cable for signs of damage, wear and ageing. Replace the extension cable if damaged or defective. When using a cable reel, always unwind the cable completely. Use of an extension cable not suitable for the power input of the tool or which is damaged or defective may result in a risk of fire and electric shock.

Features

This tool includes some or all of the following features.

1. Slide bars

2. Bevel lock knob
3. Support stand
4. Work piece clamp
5. Table extension rail
6. Bolt holes
7. Mitre angle indicator
8. Table insert
9. Mitre lock knob
10. Base plate
11. Rotary table
12. Rear fence
13. Saw blade
14. Blade guard
15. Safety guard mounting plate
16. Motor housing
17. Saw head locking pin
18. Main handle
19. Trigger switch
20. Safety release lever
21. Cut line light on/off button
22. Carry handle
23. Dust bag
24. Adjustable support foot
25. Bevel angle indicator
26. Mitre angle scale
27. Bevel angle scale
28. Slide bar locking screw
29. Depth of cut screw
30. Blade change tool
31. Spindle lock
32. Mitre lock release
33. Extension rail locking screw
34. Clamp lock screw
35. Slide fence locking screw
36. Cable wrap

Assembly

Your mitre saw is part assembled in the carton.

- ◆ Open the box and lift the saw out.
- ◆ Place the saw on a smooth, flat surface such as a workbench or strong table.
- ◆ Examine Assembly diagram on page 2 of this manual to become familiar with the saw and its various parts. The section on adjustments will refer to these terms and you must know what and where the parts are.
- ◆ When the tool is shipped, the handle is locked in the lowered position by the saw head locking pin (17). Pull the saw head locking pin (17) and rotate it 90°, either clockwise or counterclockwise as shown in figure A.
- ◆ The mitre locking knob (9) is not assembled for shipping. Remove the mitre locking knob (9) from the packaging and screw onto the saw, see figure B for position.

Table extension rail (Fig. C & D)

Your mitre saw is supplied with 2 table extension rails (5) to support long overhanging workpieces.

- ◆ Pull the table extension rail (5) to the required length for the workpiece as shown in figure C.
- ◆ Secure in position by tightening the extension rail locking screw (33), as shown in figure D.
- ◆ Repeat the process on opposite side.

Support stand - BES710 only (Fig. E)

Your BES710 mitre saw is supplied with 1 support stand (3), located at the rear of the unit, to enhance stability.

Bench mounting (Fig. F)

The mitre saw can be bolted with four bolts (6a) (not provided) to a level and stable surface using the bolt holes (6) provided in the tools base. This will help prevent tipping and possible injury.

Dust collection (Fig. G)

The use of the dust bag (23) makes cutting operations clean and dust collection easy.

- ◆ To attach the dust bag (23), fit it onto the dust nozzle (23a).
- ◆ When the dust bag (23) is about half full, remove it from the tool.
- ◆ Empty the dust bag of its contents, tapping it lightly so as to remove particles adhering to the insides which might hamper further collection.

Note: If you connect a workshop vacuum to your saw, more efficient and cleaner operations can be performed.

To install workpiece clamp (Fig. H)

- ◆ Insert the clamp (4) into the hole (4c) behind the fence. The clamp should be facing toward the back of the miter saw. The groove on the clamp rod should be fully inserted into the base. Ensure this groove is fully inserted into the base of the miter saw. If the groove is visible, the clamp will not be secure.
- ◆ Rotate the clamp 180° toward the front of the miter saw.
- ◆ Loosen the knob (4b) to adjust the clamp up or down, then use the fine adjust knob (4a) to firmly clamp the workpiece.

Note: Place the clamp on the opposite side of the base when beveling. ALWAYS MAKE DRY RUNS (UNPOWERED) BEFORE FINISH CUTS TO CHECK THE PATH OF THE BLADE. ENSURE THE CLAMP DOES NOT INTERFERE WITH THE ACTION OF THE SAW OR GUARDS.

Changing or installing a new saw blade (Fig. I, J, K)

Warning! To reduce the risk of serious personal injury, turn off the tool and disconnect it from the power source before attempting to move it, change accessories or make any adjustments.

Warning! Never depress the spindle lock (31) button while the blade is under power or coasting.

Warning! Do not cut ferrous metal (containing iron or steel) or masonry or fiber cement product with this mitre saw.

Removing the blade

- ◆ Unplug the saw.
- ◆ Raise the arm to the upper position and push the guard (14) up as far as possible.
- ◆ Loosen, but do not remove guard bracket screw (13c) until the bracket can be raised far enough to access the blade screw (13a). Lower guard will remain raised due to the position of the guard bracket screw as shown in figure I.
- ◆ Depress the spindle lock button (31) while carefully rotating the saw blade by hand until the lock engages as shown in figure J.
- ◆ Keeping the button depressed, use the other hand and the blade changing tool provided (30) to loosen the blade screw (13a). (Turn clockwise, left-hand threads.)
- ◆ Remove the blade screw (13a), outer clamp washer (13d), blade (13) and blade adapter (13e), if used. The inner clamp washer (13f) may be left on the spindle.

Installing a blade

- ◆ Unplug the saw.
- ◆ With the arm raised, the guard held open and the guard bracket raised, place the blade on the spindle, onto the blade adapter and against the inner blade clamp with the teeth at the bottom of the blade pointing toward the back of the saw.
- ◆ Assemble the outer clamp washer onto the spindle.
- ◆ Install the blade screw and, engaging the spindle lock, tighten the screw firmly with wrench provided (turn counterclockwise, left-hand threads).

Adjusting the mitre angle (Fig. L)

- ◆ Loosen the grip (9) by turning counterclockwise.
- ◆ Use the mitre lock release (32) to move the rotary table (11) to the position where the pointer (7) points to the desired angle on the mitre scale (26), tighten the grip clockwise.
- ◆ The adjustable support foot (24) is to help keep the tool in balance. After each mitre angle adjustment, you should turn knob on the foot clockwise or counterclockwise until its bottom touches the ground. There are two positions depending on the depth of your work bench.

Cutting depth

If you want to cut a groove you can set the depth of cut using the depth of cut screw (29) or the blade.

- ◆ Turn the depth of cut screw (29) and fix with the counter nut.

Fence adjustment

Before bevel cutting, make sure that no part of the tool contacts the fence (12) when lowering and raising the handle fully at any position and pulling or pushing the carriage all the way at the lowest position. Before operating the tool, make sure that the sliding fence is secured by the slide fence locking screw (35) firmly.

Warning! When performing bevel cuts, slide the sliding fence to the left and secure. Otherwise, it will contact the blade or a part of the tool, causing possible serious injury to the operator.

This tool is equipped with the sliding fence which should ordinarily be positioned central. However, when performing left bevel cuts, set it to the left position if the tool head contacts it. When bevel cutting operations are complete, don't forget to return the sliding fence to the original position and secure it by firmly tightening the slide fence locking screw (35).

Adjusting the bevel angle (Fig. M)

When tilting the carriage to the left, loosen the lever (2) at the rear of the tool counterclockwise. Unlock the arm by pushing the handle somewhat strongly in one direction only.

- ◆ Tilt the saw blade until the pointer (25) points to the desired angle on the bevel scale (27).
- ◆ Tighten the lever (2) clockwise firmly to secure the arm.

Warning! When tilting the saw blade, be sure to raise the handle fully. After changing the bevel angle, always secure the arm by tightening the lever clockwise.

Warning! When tilting the saw blade, always be aware of the weight of the head and make sure to avoid it crashing over.

Switch action (Fig. N)

Caution! Before plugging in the tool, always check to see that the switch trigger (19) actuates properly and returns to the "OFF" position when released.

- ◆ To start the tool, move the safety release lever (20) to the right with your index finger.
- ◆ Press the switch trigger (19).
- ◆ To stop the tool, release the switch trigger (19).

Warning! Never use tool without a fully operative switch trigger. Any tool with an inoperative switch is HIGHLY DANGEROUS and must be repaired before usage.

Use of Cut line System (Fig. N)

Note: The mitre saw must be connected to a power source. The Cut line System is equipped with an on/off switch (21).

The Cut line System is independent of the mitre saw's trigger switch.

The light does not need to be on in order to operate the saw. To cut through an existing pencil line on a piece of wood:

- ◆ Turn on the Cut line system, then pull down on the operating handle (18) to bring the saw blade close to the wood. The shadow of the blade will appear on the wood.
- ◆ Align the pencil line with the edge of the blade's shadow. You may have to adjust the mitre or bevel angles in order to match the pencil line exactly.

Crosscuts

A crosscut is made by cutting wood across the grain at any angle. A straight crosscut is made with the miter arm at the zero degree position. Set and lock the miter arm at zero, hold the wood firmly on the table and against the fence. With the rail lock knob tightened, turn on the saw by squeezing the trigger switch (19).

When the saw comes up to speed (about 1 second) lower the arm smoothly and slowly to cut through the wood. Let the blade come to a full stop before raising arm.

When cutting anything larger than a 51mm x 102mm, use an out-down-back motion with the rail lock knob loosened.

Pull the saw out, toward you, lower the saw head down toward the workpiece, and slowly push the saw back to complete the cut. Do not allow the saw blade to contact the top of the workpiece while pulling out. The saw may run toward you, possibly causing personal injury or damage to the workpiece.

Warning! Always use a work clamp to maintain control and reduce the risk of workpiece damage and personal injury.

Note: The rail lock knob must be loose to allow the saw to slide along its rails.

Miter crosscuts are made with the miter arm at some angle other than zero. This angle is often 45° for making corners, but can be set anywhere from zero to 47° left or 47° right. Make the cut as described above.

To cut through an existing pencil line on a piece of wood, match the angle as close as possible. Cut the wood a little too long and measure from the pencil line to the cut edge to determine which direction to adjust the miter angle and recut. This will take some practice, but it is a commonly used technique.

Body and hand position (Fig. O1 – O4)

Proper positioning of your body and hands when operating the miter saw will make cutting easier, more accurate and safer. Never place hands near cutting area. Place hands no closer

than 152 mm from the blade. Hold the workpiece tightly to the table and the fence when cutting. Keep hands in position until the trigger has been released and the blade has completely stopped. ALWAYS MAKE DRY RUNS (UNPOWERED) BEFORE FINISH CUTS SO THAT YOU CAN CHECK THE PATH OF THE BLADE. DO NOT CROSS HANDS, AS SHOWN IN FIGURE O3 and O4.

Keep both feet firmly on the floor and maintain proper balance. As you move the miter arm left and right, follow it and stand slightly to the side of the saw blade. Sight through the guard louvers when following a pencil line.

Bevel square to table adjustment (Fig. P)

To align the blade square to the table, lock the arm in the down position with the lock down pin. Place a square against the blade, ensuring the square is not on top of a tooth. Loosen the bevel lock knob and ensure the arm is firmly against the 0° bevel stop. Rotate the 0° bevel adjustment screw with the 10 mm spanner (not provided) as necessary so that the blade is at 0° bevel to the table, as measured with the square.

Cutting picture frames, shadow boxes and other four-sided projects (Fig. Q1, Q2)

To best understand how to make the items listed here, we suggest that you try a few simple projects using scrap wood until you develop a "feel" for your saw.

Your saw is the perfect tool for mitering corners like the one shown in Figure Q1. Sketch A in Figure Q2 shows a joint made by using the bevel adjustment to bevel the edges of the two boards at 45° each to produce a 90° corner. For this joint the miter arm was locked in the zero position and the bevel adjustment was locked at 45°. The wood was positioned with the broad flat side against the table and the narrow edge against the fence. The cut could also be made by mitering right and left with the broad surface against the fence.

Cutting trim molding and other frames (Fig. Q2)

Sketch B in Figure Q2 shows a joint made by setting the miter arm at 45° to miter the two boards to form a 90° corner. To make this type of joint, set the bevel adjustment to zero and the miter arm to 45°. Once again, position the wood with the broad flat side on the table and the narrow edge against the fence.

Figures Q1 and Q2 are for four-sided objects only.

As the number of sides changes, so do the miter and bevel angles.

The chart below gives the proper angles for a variety of shapes.

Number of Sides	Miter or Bevel Angle
4	45°
5	36°
6	30°
7	25.7°
8	22.5°
9	20°
10	18°

The chart assumes that all sides are of equal length. For a shape that is not shown in the chart, use the following formula: 180° divided by the number of sides equals the miter (if the material is cut vertically) or bevel angle (if the material is cut laying flat).

Cutting compound miters (fig. Q3)

A compound miter is a cut made using a miter angle and a bevel angle at the same time. This is the type of cut used to make frames or boxes with slanting sides like the one shown in figure Q3.

Note: If the cutting angle varies from cut to cut, check that the bevel lock knob and the miter lock handle are securely locked. These must be locked after making any changes in bevel or miter.

Cutting base molding (Fig. R)

Straight 90° cuts:

Position the wood against the fence and hold it in place as shown in Figure R. Turn on the saw, allow the blade to reach full speed and lower the arm smoothly through the cut.

Cutting base molding up to 70 mm / 90 mm high vertically against the Fence

BES700 - 70 mm for 216 mm
BES710 - 90 mm for 254 mm

Position material as shown in Figure R All cuts should be made with the back of the molding against the fence and with the bottom of the molding against the table.

	Inside Corner	Outside Corner
Left Side	Miter left 45° Save left side of cut	Miter right 45° Save left side of cut
Right Side	Miter right 45° Save right side of cut	Miter left 45° Save right side of cut

Material up to 70 mm / 90mm can be cut as described above.
BES700 - 70 mm for 216 mm
BES710 - 90 mm for 254 mm

Cutting crown molding

In order to fit properly, crown molding must be compound mitered with extreme accuracy.

The two flat surfaces on a given piece of crown molding are at angles that, when added together, equal exactly 90°. Most, but not all, crown molding has a top rear angle (the section that fits flat against the ceiling) of 52° and a bottom rear angle (the part that fits flat against the wall) of 38°.

Your miter saw has special pre-set miter detent points at 31.6° left and right for cutting crown molding at the proper angle.

There is also a mark on the bevel scale at 33.9°.

The Bevel Setting/Type of Cut chart gives the proper settings for cutting crown molding. (The numbers for the miter and bevel settings are very precise and are not easy to accurately set on your saw.) Since most rooms do not have angles of precisely 90°, you will have to fine tune your settings anyway.

Instructions for cutting crown molding laying flat and using the compound features

- ◆ Lay the molding with broad back surface down flat on saw table (fig. S1).
- ◆ The settings below are for all Standard crown molding with 52° and 38° angles.

Bevel Setting	Type Of Cut
33.9°	LEFT SIDE, INSIDE CORNER: 1. Top of molding against fence 2. Miter table set right 31.6° 3. Save left end of cut
33.9°	RIGHT SIDE, INSIDE CORNER: 1. Bottom of molding against fence 2. Miter table set left 31.6° 3. Save left end of cut
33.9°	LEFT SIDE, OUTSIDE CORNER: 1. Bottom of molding against fence 2. Miter table set left 31.6° 3. Save right end of cut
33.9°	RIGHT SIDE, OUTSIDE CORNER: 1. Top of molding against fence 2. Miter table set right 31.6° 3. Save right end of cut

Note: When setting bevel and miter angles for all compound miters, remember that the angles presented for crown moldings are very precise and difficult to set exactly. Since they can easily shift slightly and very few rooms have exactly square corners, all settings should be tested on scrap molding.

Alternative method for cutting crown molding

Place the molding at an angle between the fence (12) and the saw table (11), with the top side of the molding on the table and the bottom side of the molding on the fence as shown in figure S2.

The advantage to cutting crown molding using this method is that no bevel cut is required. Minute changes in the miter angle can be made without affecting the bevel angle. This way, when corners other than 90° are encountered, the saw can be quickly and easily adjusted for them.

Instructions for cutting crown molding angled between the fence and base of the saw for all cuts

This saw can cut up to 14 mm x 92 mm crown molding nested.

- ◆ Angle the molding so the bottom of the molding (part which goes against the wall when installed) is against the fence (12) and the top of the molding is resting on the saw table (11), as shown in figure S2.
- ◆ The angled “flats” on the back of the molding must rest squarely on the fence and saw table.

	Inside Corner	Outside Corner
Left Side	Miter right at 45° Save right side of cut	Miter left at 45° Save right side of cut
Right Side	Miter left at 45° Save left side of cut	Miter right at 45° Save left side of cut

Special Cuts

Never make any cut unless the material is secured on the table and against the fence.

Bowed material (fig. T1, T2)

When cutting bowed material always position it as shown in figure T1 and never like that shown in figure T2. Positioning the material incorrectly will cause it to pinch the blade near the completion of the cut.

Cutting round material

Rounded material should be clamped or held firmly to the fence to keep it from rolling. This is extremely important when making angle cuts.

Cutting large material (fig. U)

Occasionally you will encounter a piece of wood a little too large to fit beneath the lower guard.

To clear the guard over the wood, with the saw off and your right hand on the operating handle, place your right thumb outside of the upper portion of the guard and roll the guard up just enough to clear the wood, as shown in figure U. Release the guard prior to starting the motor. The guard mechanism will function properly during the cut. Only do this when necessary.

NEVER TIE, TAPE, OR OTHERWISE HOLD THE GUARD OPEN WHEN OPERATING THIS SAW.

Warning! Always be sure that the tool is switched off and unplugged before adjusting or checking the tools function.

After use

- ◆ After use, wipe off chips and dust adhering to the tool with a cloth or the like.
- ◆ Keep the blade guard clean according to the directions in the previously covered section.
- ◆ Lubricate the sliding portions with machine oil to prevent rust.
- ◆ When storing the tool, pull the carriage toward you fully.

Carrying the tool

- ◆ Make sure the tool is unplugged.
- ◆ Secure the blade at the 0° bevel angle and turn the base to the right mitre angle fully with the slide bar locking screw (28).
- ◆ Secure the slide bars after pulling the carriage toward you fully.
- ◆ Lower the handle fully and lock it in the position by pushing in the saw head locking pin (17).
- ◆ Carry the tool by holding the carry handle (22).
- ◆ If you remove the clamp, dust bag, etc., you can carry the tool more easily.
- ◆ Carry the tool by one hand holding the carrying handle (22) and one hand holding the tool base.

Caution! Always secure all moving portions before carrying the tool.

Saw head locking pin (17) is for carrying and storage purposes only and not for any cutting operations.

Troubleshooting

Problem	Possible Cause	Solution
Motor does not start	Saw not plugged in.	Check that all cords are plugged in.
Angle of cut inaccurate	Mitre table unlocked.	Use mitre table locking lever (see Adjusting the mitre angle section).
	Too much sawdust under table.	Vacuum or blow out dust. Wear eye protection.
Cutting arm cannot fully raise, or blade guard cannot fully close	Parts Failure.	Contact service centre.
	Pivot spring not replaced properly after service.	Contact service centre.
	Sawdust build up.	Clean and lubricate moving parts.
Blade binds, jams or shakes	Saw head locking pin not set properly.	Check, adjust, and properly set saw head locking pin.
	Saw blade damaged.	Replace blade.
	Dull blade.	Replace or sharpen blade.
	Improper blade.	Replace blade.
	Warped blade.	Replace blade.

EC declaration of conformity

MACHINERY DIRECTIVE



BES700, BES710 Sliding Compound Mitre Saw

Black & Decker declares that these products described under "technical data" are in compliance with:
EN62841-1:2015, EN62841-3-9:2015+A11:2017

These products also comply with Directive
2006/42/EC, 2014/30/EU and 2011/65/EU.

For more information, please contact Black & Decker at the following address or refer to the back of the manual.

The undersigned is responsible for compilation of the technical file and makes this declaration on behalf of Black & Decker.

A. P. Smith
Technical Director
Black & Decker Europe, 210 Bath Road, Slough,
Berkshire, SL1 3YD
United Kingdom
01/03/2019

Guarantee

Black & Decker is confident of the quality of its products and offers consumers a 24 month guarantee from the date of purchase. This guarantee is in addition to and in no way prejudices your statutory rights. The guarantee is valid within the territories of the Member States of the European Union and the European Free Trade Area.

To claim on the guarantee, the claim must be in accordance with Black & Decker Terms and Conditions and you will need to submit proof of purchase to the seller or an authorised repair agent. Terms and conditions of the Black & Decker 2 year guarantee and the location of your nearest authorised repair agent can be obtained on the Internet at www.2helpU.com, or by contacting your local Black & Decker office at the address indicated in this manual.

Please visit our website www.blackanddecker.co.uk to register your new BLACK+DECKER product and receive updates on new products and special offers.

Problem	Possible Cause	Solution
Saw vibrates or shakes	Saw blade damaged.	Replace blade.
	Saw blade loosened.	Tighten arbor bolt.
	Saw not properly fastened down.	Fasten saw to bench, stand or table.
	Work piece not properly supported.	Properly support or clamp work piece.

Protecting the environment



Separate collection. Products and batteries marked with this symbol must not be disposed of with normal household waste.

Products and batteries contain materials that can be recovered or recycled reducing the demand for raw materials. Please recycle electrical products and batteries according to local provisions. Further information is available at www.2helpU.com

Technical data

		BES700 Type 1	BES710 Type 1
Voltage	V	230	230
Speed	/min	4800	5000
Blade outer diameter	mm	216	254
Bore diameter	mm	30	30
Weight	kg	12.1	14.9
Blade thickness	mm	1.8	1.8
Blade max. kerf	mm	2.8	2.8
Mitre (max. positions)	°	+/- 47	+/- 47
Bevel (max. positions)	°	47	47
Max. cross-cut capacity at 90 °	mm	305	305
Max mitre capacity at 45 °	mm	203	203
Max. dept cut at 90 °	mm	70	90
Max. dept cut at 45 °	mm	35	40

BES700 - Level of sound pressure according to EN 62841:

L_{pA} (sound pressure) 97.5 dB(A), Uncertainty (K) 3 dB(A)

L_{WA} (sound power) 108.0 dB(A), Uncertainty (K) 3 dB(A)

BES710 - Level of sound pressure according to EN 62841:

L_{pA} (sound pressure) 96.0 dB(A), Uncertainty (K) 3 dB(A)

L_{WA} (sound power) 107.5 dB(A), Uncertainty (K) 3 dB(A)

Verwendungszweck

Die verstellbaren Kappgehrungssägen BES700, BES710 von BLACK+DECKER wurde ausschließlich zum Sägen von Holz, Kunststoff und Buntmetallen entwickelt. Dieses Gerät ist zum privaten Einsatz vorgesehen.

Sicherheitshinweise

Allgemeine Sicherheitswarnungen für das Gerät



Warnung! Beachten Sie alle Sicherheitshinweise, Anweisungen,

Darstellungen und Daten, die Sie mit dem Gerät erhalten. Die Nichteinhaltung der folgenden Warnungen und Anweisungen kann einen elektrischen Schlag, Brand und/oder schwere Verletzungen verursachen.

Bewahren Sie alle Warnhinweise und alle Anweisungen gut auf. Der nachfolgend verwendete Begriff "Gerät" bezieht sich auf netzbetriebene Geräte (mit Netzkabel) und auf akkubetriebene Geräte (ohne Netzkabel).

1. Sicherheit im Arbeitsbereich

- a. **Halten Sie Ihren Arbeitsbereich sauber und gut ausgeleuchtet.** Unaufgeräumte oder dunkle Bereiche begünstigen Unfälle.
- b. **Betreiben Sie das Gerät nicht in Umgebungen, in denen Explosionsgefahr z. B. aufgrund von brennbaren Flüssigkeiten, Gasen oder Staub besteht.** Geräte erzeugen Funken, die den Staub oder die Dämpfe entzünden können.
- c. **Halten Sie Kinder und andere Personen während der Benutzung eines Elektrowerkzeugs fern.** Bei Ablenkung können Sie die Kontrolle verlieren.

2. Elektrische Sicherheit

- a. **Der Netzstecker des Geräts muss in die Steckdose passen. Ändern Sie niemals den Stecker in irgendeiner Form. Verwenden Sie keinerlei Adapterstecker an geerdeten Elektrogeräten.** Unveränderte Stecker und passende Steckdosen mindern die Gefahr eines elektrischen Schlages.
- b. **Vermeiden Sie Körperkontakt mit geerdeten Oberflächen von Rohren, Heizungen, Herden und Kühlschränken.** Es besteht eine erhöhte Gefahr für einen elektrischen Schlag, wenn Ihr Körper geerdet ist.
- c. **Halten Sie Geräte von Regen und Nässe fern.** Wenn Wasser in das Elektrogerät eindringt, erhöht sich die Gefahr eines elektrischen Schlages.
- d. **Verwenden Sie das Kabel ordnungsgemäß. Verwenden Sie es niemals zum Tragen. Trennen Sie das Gerät nicht durch Ziehen am Kabel vom Netz. Halten Sie das Kabel fern von Hitze, Öl, scharfen Kanten oder beweglichen Teilen.** Beschädigte oder

verhedderte Kabel erhöhen die Gefahr eines elektrischen Schlages.

- e. **Verwenden Sie nur für den Außenbereich zugelassene Verlängerungskabel, wenn Sie mit dem Elektrowerkzeug im Freien arbeiten.** Die Verwendung von für den Außeneinsatz geeigneten Kabeln mindert die Gefahr eines elektrischen Schlages.
 - f. **Wenn das Elektrowerkzeug in einer feuchten Umgebung verwendet werden muss, schließen Sie es unbedingt an eine Steckdose mit Fehlerstromschutzschalter (FI-Schalter) an.** Ein Fehlerstromschutzschalter verringert das Risiko eines elektrischen Schlags.
- #### 3. Sicherheit von Personen
- a. **Seien Sie aufmerksam, achten Sie darauf, was Sie tun, und gehen Sie sachgerecht mit einem Elektrowerkzeug um. Benutzen Sie kein Elektrowerkzeug, wenn Sie müde sind oder unter dem Einfluss von Drogen, Alkohol oder Medikamenten stehen.** Ein Moment der Unachtsamkeit beim Betrieb eines Elektrowerkzeugs kann zu schweren Verletzungen führen.
 - b. **Verwenden Sie eine geeignete Schutzausrüstung. Tragen Sie immer einen Augenschutz.** Das Tragen persönlicher Schutzausrüstung, wie Staubmaske, rutschfeste Sicherheitsschuhe, Schutzhelm oder Gehörschutz, je nach Art und Einsatz des Geräts, verringert das Risiko von Verletzungen.
 - c. **Vermeiden Sie eine unbeabsichtigte Inbetriebnahme. Vergewissern Sie sich, dass das Gerät ausgeschaltet ist, bevor Sie es an eine Steckdose oder einen Akku anschließen, es hochheben oder tragen.** Wenn Sie beim Tragen des Geräts den Finger am Schalter haben oder das Gerät eingeschaltet an die Stromversorgung anschließen, kann dies zu Unfällen führen.
 - d. **Entfernen Sie Einstell- oder Schraubenschlüssel, bevor Sie das Gerät einschalten.** Werkzeuge oder Schlüssel, die an rotierenden Teilen des Elektrogerätes angebracht sind, können zu Verletzungen führen.
 - e. **Beugen Sie sich nicht zu weit nach vorne. Sorgen Sie für einen sicheren Stand und halten Sie jederzeit das Gleichgewicht.** Dadurch können Sie das Gerät in unerwarteten Situationen besser kontrollieren.
 - f. **Tragen Sie geeignete Kleidung. Tragen Sie keine weite Kleidung und keinen Schmuck. Halten Sie Ihre Haare und Kleidung von beweglichen Teilen fern.** Lose sitzende Kleidung, Schmuck oder lange Haare können sich in den beweglichen Teilen verfangen.
 - g. **Falls Vorrichtungen zum Absaugen oder Auffangen von Staub vorhanden sind, vergewissern Sie sich, dass diese angeschlossen sind und richtig verwendet**

werden. Das Verwenden einer Staubauffangvorrichtung verringert Gefährdungen durch Staub.

- h. Vermeiden Sie, durch die häufige Nutzung des Werkzeugs in einen Trott zu verfallen und Prinzipien für die Werkzeugsicherheit zu ignorieren.** Eine unachtsame Aktion kann im Bruchteil einer Sekunde zu schweren Verletzungen führen.
- 4. Gebrauch und Pflege von Geräten**
- a. Überlasten Sie das Gerät nicht. Verwenden Sie das für Ihre Arbeit passende Gerät.** Das richtige Gerät wird die Aufgabe besser und sicherer erledigen, wenn es bestimmungsgemäß verwendet wird.
- b. Verwenden Sie das Gerät nicht, wenn der Ein-/Ausschalter nicht funktioniert.** Ein Gerät, das sich nicht mehr ein- oder ausschalten lässt, ist gefährlich und muss repariert werden.
- c. Ziehen Sie den Stecker aus der Steckdose, oder trennen Sie das Gerät vom Akku, bevor Sie Einstellungen vornehmen, Zubehörteile wechseln oder das Gerät lagern.** Diese Vorbeugemaßnahmen mindern die Gefahr, dass das Elektrogerät unbeabsichtigt startet.
- d. Bewahren Sie unbenutzte Geräte außerhalb der Reichweite von Kindern auf. Lassen Sie Geräte nicht von Personen benutzen, die damit nicht vertraut sind oder diese Anweisungen nicht gelesen haben.** Geräte sind in den Händen nicht geschulter Personen gefährlich.
- e. Halten Sie das Gerät und sein Zubehör in einem einwandfreien Zustand. Kontrollieren Sie, ob bewegliche Teile falsch ausgerichtet sind oder klemmen und ob Teile gebrochen oder so beschädigt sind, dass die Funktion des Geräts beeinträchtigt ist. Bei Beschädigungen lassen Sie das Gerät reparieren, bevor Sie es verwenden.** Viele Unfälle entstehen wegen mangelnder Wartung der Geräte.
- f. Halten Sie Schneidgeräte scharf und sauber.** Richtig gewartete Schneidwerkzeuge mit scharfen Klingen blockieren seltener und sind leichter unter Kontrolle zu halten.
- g. Verwenden Sie Gerät, Zubehör, Einsatz-Bits usw. entsprechend diesen Anweisungen und berücksichtigen Sie dabei die Arbeitsbedingungen und die auszuführende Arbeit.** Der Gebrauch von Elektrowerkzeugen für andere als die vorgesehenen Zwecke kann zu gefährlichen Situationen führen.
- h. Halten Sie die Griffe trocken, sauber und frei von Öl und Fett.** Rutschige Griffe und fettige Oberflächen unterbinden die sichere Bedienbarkeit und Kontrolle über das Werkzeug in unerwarteten Situationen.

5. Service

- a. Lassen Sie Ihr Elektrowerkzeug nur von qualifiziertem Fachpersonal und nur mit Original-Ersatzteilen reparieren.** Damit wird sichergestellt, dass die Sicherheit des Geräts erhalten bleibt.

Sicherheitshinweise für Gehrungssägen

- ◆ **Gehrungssägen sind zum Schneiden von Holz oder holzähnlichen Produkten bestimmt. Sie dürfen nicht mit Trennscheiben zum Schneiden von eisenhaltigem Material wie Stangen, Stäben, Bolzen usw. verwendet werden.** Staubpartikel führen dazu, dass sich bewegliche Teile wie die untere Schutzvorrichtung verkleben. Durch Funken beim Trennschneiden können die untere Schutzvorrichtung, der Sägeschlitzzeinsatz und andere Kunststoffteile einbrennen.
- ◆ **Verwenden Sie nach Möglichkeit stets Schraubklemmen, um das Werkstück einzuspannen. Wenn Sie das Werkstück mit der Hand fixieren, müssen Sie Ihre Hand mindestens 100 mm von beiden Seiten des Sägeblatts fernhalten. Nutzen Sie diese Säge nicht zum Schneiden von Teilen, die zu klein sind, um sicher eingespannt oder mit der Hand gehalten zu werden.** Wenn sich Ihre Hand zu nahe am Sägeblatt befindet, besteht ein höheres Verletzungsrisiko durch Kontakt mit dem Sägeblatt.
- ◆ **Das Werkstück muss fest stehen und eingespannt sein oder gegen die Eingrenzung und den Tisch gestützt werden. Führen Sie das Werkstück nicht zum Sägeblatt oder schneiden Sie es auf irgendeine Art „frei Hand“.** Nicht fixierte oder bewegliche Werkstücke können mit hohen Geschwindigkeiten weggeschleudert werden und zu Verletzungen führen.
- ◆ **Drücken Sie die Säge durch das Werkstück. Ziehen Sie die Säge nicht durch das Werkstück. Um einen Schnitt zu machen, heben Sie den Sägekopf an, ziehen Sie diesen ohne zu schneiden über das Werkstück, starten Sie den Motor, drücken Sie den Sägekopf nach unten, und drücken Sie die Säge durch das Werkstück.** Das Schneiden bei Zugspannung führt oft dazu, dass das Sägeblatt aus dem Werkstück steigt und die Sägeblattbaugruppe gewaltsam in Richtung des Bedieners schleudert.
- ◆ **Bringen Sie Ihre Hände nie in die vorgesehene Schnittlinie, wieder vor noch hinter das Sägeblatt.** Das Abstützen des Werkstücks „über Kreuz“, d. h. das Halten des Werkstücks mit der linken Hand auf der rechten Seite des Sägeblatts und umgekehrt, ist sehr gefährlich.
- ◆ **Greifen Sie beim Entfernen von Holzabfällen oder aus anderen Gründen mit den Händen auf beiden Seiten des Sägeblatts nicht näher als 100 mm hinter die Schutzabdeckung, während das Sägeblatt dreht.** Die unmittelbare Nähe des drehenden Sägeblatts ist unter

Umständen nicht für Sie erkennbar und kann zu schweren Verletzungen führen.

- ◆ **Untersuchen Sie das Werkstück vor dem Schneiden. Wenn das Werkstück bogenförmig oder gekrümmt ist, spannen Sie es mit der nach außen gebogenen Fläche in Richtung des Anschlags ein. Stellen Sie immer sicher, dass es entlang der Schnittlinie keinen Spalt zwischen Werkstück, Anschlag und Tisch gibt.** Bogenförmige oder gekrümmte Werkstücke können verdrehen oder verrutschen und dazu führen, dass das Sägeblatt beim Schneiden verklemt. Daher dürfen sich keine Nägel oder anderen Fremdkörper im Werkstück befinden.
- ◆ **Verwenden Sie die Säge nicht, bis alle Werkzeuge, Hölzer, Abfälle, usw. vom Tisch entfernt wurden, mit Ausnahme des Werkstücks.** Kleine Rückstände, lose Holzstücke oder andere Objekte können bei Kontakt zum drehenden Sägeblatt mit hoher Geschwindigkeit weggeschleudert werden.
- ◆ **Schneiden Sie immer nur jeweils ein Werkstück.** Übereinander gestapelte Werkstücke können nicht angemessen eingespannt oder fixiert werden und können beim Schneiden verrutschen oder zum Blockieren des Sägeblatts führen.
- ◆ **Stellen Sie vor der Nutzung sicher, dass die Gehrungssäge auf einer ebenen, festen Arbeitsoberfläche montiert bzw. positioniert ist.** Eine ebene und feste Arbeitsoberfläche verringert das Risiko, dass die Gehrungssäge instabil wird.
- ◆ **Planen Sie Ihre Arbeit. Wenn Sie den Gehrungswinkel ändern, stellen Sie stets sicher, dass der einstellbare Anschlag korrekt eingestellt ist, um das Werkstück zu stützen und dieser das Sägeblatt oder die Schutzvorrichtung nicht blockiert.** Bewegen Sie das Sägeblatt, ohne das Werkzeug auf „ON (EIN)“ zu schalten und ohne ein Werkstück auf dem Tisch, durch einen vollständigen simulierten Schnitt, um sicherzustellen, dass es keine Blockaden gibt oder Gefahr besteht, dass der Anschlag getroffen wird.
- ◆ **Stellen Sie für Werkstücke, die breiter oder länger als der Tisch sind, eine angemessene Stütze bereit, beispielsweise Tischverlängerungen, Sägeböcke, usw.** Werkstücke, die länger oder breiter als der Tisch der Gehrungssäge sind, können bei unsachgemäßer Abstützung abkippen. Wenn das abgetrennte Holzstück oder Werkstück abkippt, kann es die untere Schutzvorrichtung anheben oder durch das drehende Sägeblatt weggeschleudert werden.
- ◆ **Verwenden Sie keine Personen als Ersatz für Tischverlängerungen bzw. als zusätzliche Stütze.** Unzureichende Unterstützung des Werkstücks kann dazu führen, dass Sägeblatt oder Werkstück beim Schneidvorgang verkleben oder verrutschen, so dass

Sie und der Helfer in das drehende Sägeblatt gezogen werden.

- ◆ **Das abgetrennte Teil darf nicht blockiert oder anderweitig gegen das drehende Sägeblatt gedrückt werden.** Wenn kein Platz mehr vorhanden ist, z. B. durch einen Längenanschlag, könnte sich das abgetrennte Holzstück am Sägeblatt verkeilen und gewaltsam weggeschleudert werden.
- ◆ **Verwenden Sie stets Schraubklemmen oder Vorrichtungen, die zum ordnungsgemäßen Abstützen von Stangen oder Rohren konzipiert sind.** Stangen tendieren dazu, beim Schneiden wegzurollen, wodurch sich das Sägeblatt „festbeißt“ und das Werkstück und Ihre Hand in das Sägeblatt einzieht.
- ◆ **Lassen Sie das Sägeblatt die volle Drehzahl erreichen, bevor Sie es in Kontakt mit dem Werkstück bringen.** Dadurch wird das Risiko verringert, dass das Werkstück weggeschleudert wird.
- ◆ **Wenn Werkstück oder Sägeblatt blockiert werden, schalten Sie die Gehrungssäge aus. Warten Sie, bis alle beweglichen Teile vollständig zum Stillstand gekommen sind, ziehen Sie den Stecker aus der Steckdose, und/oder entfernen Sie das Akkupack. Dann können Sie die Blockade entfernen.** Das Fortsetzen des Sägevorgangs mit verklemttem Werkstück kann zum Kontrollverlust und Schäden an der Gehrungssäge führen.
- ◆ **Wenn der Schnitt abgeschlossen ist, lassen Sie den Schalter los. Halten Sie den Sägekopf nach unten und warten Sie, bis das Sägeblatt stoppt, bevor Sie das abgetrennte Holzstück entfernen.** Das Greifen mit der Hand in die Nähe des drehenden Sägeblatts ist sehr gefährlich.

Zusätzliche Sicherheitshinweise für Gehrungssägen

- ◆ **Halten Sie den Griff fest, wenn Sie einen unvollständigen Schnitt machen oder den Schalter loslassen, bevor der Sägekopf komplett in der unteren Stellung ist.** Die Bremswirkung der Säge kann dazu führen, dass der Sägekopf plötzlich nach unten gezogen wird; das stellt ein Verletzungsrisiko dar.
- ◆ Die bestimmungsgemäße Verwendung ist in dieser Betriebsanleitung beschrieben. Die Verwendung von Zubehör- oder Anbauteilen, die nicht in dieser Anleitung empfohlen werden, sowie die Bedienung des Geräts in Abweichung von den in dieser Anleitung beschriebenen Verfahren können zu Verletzungen und/oder Sachschäden führen.
- ◆ Verwenden Sie keine gebrochenen/verbogenen/ beschädigten/verformten Sägeblätter.
- ◆ Ersetzen Sie abgenutzte Schlitzplatten.

- ◆ Verwenden Sie keine Blätter mit einem kleineren oder größeren Durchmesser als empfohlen. Angaben über die richtigen Sägeblätter sind den Technischen Daten zu entnehmen. Verwenden Sie nur die in diesem Handbuch spezifizierten Sägeblätter im Einklang mit EN 847-1.
- ◆ Verwenden Sie keine HSS (High Speed Steel)-Sägeblätter.



Warnung! Die Berührung und das Einatmen von Stäuben, die beim Sägen von Materialien entstehen, können beim Bediener und bei Umstehenden gesundheitliche Schäden verursachen. Tragen Sie eine speziell für den Schutz vor Staub und Dämpfen vorgesehene Staubmaske, und stellen Sie sicher, dass auch andere Personen entsprechend geschützt sind, die den Arbeitsplatz betreten oder sich dort aufhalten.

- ◆ Bearbeiten Sie keinesfalls asbesthaltige Materialien. Asbest ist krebserregend.
- ◆ Tragen Sie beim Umgang mit Sägeblättern und rauen Materialien Handschuhe (Sägeblätter sollten möglichst mithilfe einer Halterung getragen werden).
- ◆ Tragen Sie Gehörschutz, um die Gefahr von lärmbedingten Hörverlust zu reduzieren.
- ◆ Verwenden Sie ggf. spezielle geräuscharme Sägeblätter.
- ◆ Tragen Sie Augenschutz, um die Gefahr von Verletzungen zu reduzieren.
- ◆ Verwenden Sie beim Sägen von Holz den mitgelieferten Staubbeutel.
- ◆ **Halten Sie das Elektrowerkzeug an den isolierten Griffflächen, wenn Arbeiten durchgeführt werden, bei denen das Schneidwerkzeug versteckte Leitungen oder die eigene Anschlussleitung berühren könnte.** Der Kontakt mit stromführenden Leitungen kann auch offen liegende Metallteile am Gerät unter Strom setzen und zu einem Stromschlag führen.
- ◆ Wählen Sie das richtige Sägeblatt für das zu schneidende Material.
- ◆ Betreiben Sie das Gerät nicht ohne Schutzvorrichtung. Betreiben Sie das Gerät nicht, wenn die Schutzvorrichtung defekt oder nicht ordnungsgemäß gewartet ist.
- ◆ Vergewissern Sie sich vor der Durchführung von Neigungsschnitten, dass der Arm sicher befestigt ist.
- ◆ Vergewissern Sie sich vor jedem Sägevorgang, dass die Maschine stabil steht.
- ◆ Achten Sie darauf, dass die Griffe trocken, sauber sowie frei von Öl und Fett sind.
- ◆ Halten Sie die Umgebung des Geräts sauber und frei von loseem Material wie Spänen und Verschnittmaterial.
- ◆ Stellen Sie sicher, dass das Gerät und der Arbeitsbereich über eine angemessene allgemeine Beleuchtung oder Punktbeleuchtung verfügen.
- ◆ Das Gerät darf nicht von unerfahrenen Personen verwendet werden.
- ◆ Stellen Sie vor der Verwendung sicher, dass das Sägeblatt ordnungsgemäß angebracht ist. Vergewissern Sie sich, dass das Sägeblatt sich in die richtige Richtung dreht. Achten Sie darauf, dass das Sägeblatt scharf ist. Befolgen Sie die Anweisungen zum Schmieren und Wechseln von Zubehörteilen.
- ◆ Stellen Sie sicher, dass die auf dem Sägeblatt angegebene Drehzahl mindestens so hoch ist wie die auf der Säge angegebene Drehzahl.
- ◆ Stellen Sie sicher, dass alle verwendeten Distanzstücke und Spindelringe für den von BLACK+DECKER genannten Zweck geeignet sind.
- ◆ Reparaturen des Schnittlinienführungssystems sollten durch das Personal einer Vertragswerkstatt oder durch den BLACK+DECKER Kundendienst erfolgen.
- ◆ Ziehen Sie vor der Durchführung von Wartungsarbeiten und vor dem Sägeblattwechsel das Netzkabel aus der Steckdose.
- ◆ Führen Sie keinesfalls Reinigungs- oder Wartungsarbeiten aus und entfernen Sie keinesfalls Verschnittmaterial oder andere Teile des Werkstücks, wenn das Gerät eingeschaltet ist und sich der Sägekopf nicht in der Ruhestellung befindet.
- ◆ Sofern möglich, sollte sich die Maschine immer auf einer Werkbank befinden.
- ◆ Stellen Sie vor dem Betrieb sicher, dass alle Verriegelungen und Griffe fest sitzen.
- ◆ Verwenden Sie die Säge keinesfalls ohne Tischeinlage.
- ◆ Versuchen Sie keinesfalls, das Gerät mithilfe eines Werkzeugs oder anderer Gegenstände plötzlich anzuhalten. Dadurch können ernsthafte Verletzungen verursacht werden.
- ◆ Lesen Sie vor dem Verwenden oder Anbringen von Zubehör die Anleitung. Die falsche Verwendung von Zubehör kann Sachschäden verursachen.
- ◆ Heben Sie die Säge von der Tischeinlage aus dem Werkstück heraus, bevor Sie den Ein-/Ausschalter loslassen.
- ◆ Blockieren Sie nie den Ventilator, um die Antriebswelle zu stoppen.
- ◆ Der Blattschutz an Ihrer Säge wird automatisch hochgezogen, wenn der Arm gesenkt wird; er schwenkt wieder zurück, wenn die Säge in die Ausgangsposition zurückkehrt. Der Blattschutz kann von Hand hochgezogen werden, wenn Sägeblätter ausgewechselt werden und wenn der Zustand der Säge geprüft werden soll. Heben Sie den Sägeblattschutz keinesfalls während des Betriebs an.
- ◆ Überprüfen Sie regelmäßig, ob die Belüftungsschlitze des Motors sauber und spannfrei sind.
- ◆ Machen Sie die Warnsymbole auf dem Gerät keinesfalls unkenntlich.

- ◆ Stützen Sie sich keinesfalls auf dem Gerät ab. Das Kippen des Geräts oder das Berühren des Sägeblatts kann ernsthafte Verletzungen verursachen.
- ◆ Berühren Sie nach dem Gebrauch das Sägeblatt erst, wenn es abgekühlt ist. Das Sägeblatt wird bei der Arbeit sehr heiß.
- ◆ Um Verletzungen durch umhergeschleuderte Materialien zu verhindern, ziehen Sie den Netzstecker der Säge, und entfernen Sie dann kleine Materialien.
- ◆ Vor der Verwendung und nach allen Wartungsarbeiten muss der Sägeblattschutz überprüft werden, um dessen ordnungsgemäße Funktion sicherzustellen. Während der Überprüfung muss die Säge ausgeschaltet und von der Stromversorgung getrennt sein. Der Arm muss angehoben und gesenkt werden, um sicherzustellen, dass die Schutzvorrichtung das Sägeblatt bedeckt und das Sägeblatt die Schutzvorrichtung nicht berührt. Wenn die Schutzvorrichtung nicht ordnungsgemäß funktioniert, muss das Gerät durch qualifiziertes Fachpersonal gewartet werden. Wenden Sie sich telefonisch an den BLACK+DECKER Kundendienst, um Informationen zu einer Vertragswerkstatt in Ihrer Nähe zu erhalten.
- ◆ **Diese Gehrungssäge wurde ausschließlich zum Sägen von Holz, Kunststoff und Buntmetallen entwickelt.** Verwenden Sie das Gerät nicht zum Schneiden von Werkstoffen, die nicht vom Hersteller empfohlen sind.
- ◆ Berühren Sie nach dem Gebrauch das Sägeblatt erst, wenn es abgekühlt ist. Das Sägeblatt wird bei der Arbeit sehr heiß.



Warnung! Beim Sägen von Kunststoffen, Holz, das mit einer Beschichtung gegen das Auslaufen von Pflanzensaft versehen ist, und anderen Materialien kann sich geschmolzenes Material auf den Spitzen und dem Körper des Sägeblatts ansammeln, wodurch das Risiko des Überhitzens und Blockierens des Sägeblatts beim Schneiden erhöht wird.

Restrisiken

Folgende Risiken sind mit der Verwendung von Sägen untrennbar verbunden: Auch bei der Einhaltung der entsprechenden Sicherheitsvorschriften und der Verwendung aller Sicherheitsgeräte bestehen weiterhin bestimmte Restrisiken. Diese sind:

- ◆ Verletzungen, die durch das Berühren von sich drehenden/bewegenden Teilen verursacht werden.
- ◆ Schwerhörigkeit.
- ◆ Unfallrisiko durch ungeschützte Teile des sich drehenden Sägeblatts.
- ◆ Das Austauschen von Teilen, Messern oder Zubehör kann Verletzungen zur Folge haben.
- ◆ Quetschen der Finger beim Öffnen der Schutzabdeckungen.

- ◆ Gesundheitsrisiken durch das Einatmen von Staub beim Sägen von Holz, insbesondere Eiche, Buche und Pressspan.
- ◆ Verletzungen, die durch längeren Gebrauch eines Geräts verursacht werden. Legen Sie bei längerem Gebrauch regelmäßige Pausen ein.

Lärm

Die angegebenen Werte der Lärmemissionen entsprechen den Richtwerten einer genormten Prüfung und lassen sich zum Vergleich verschiedener Geräte verwenden.

Außerdem kann mit Hilfe dieser Werte die Belastung bei Verwendung des Geräts schon im Voraus eingeschätzt werden.

Warnung! Die bei Verwendung des Geräts auftretenden Lärmemissionen hängen von der Art des Gerätegebrauchs und insbesondere von der Art der bearbeiteten Werkstücke ab und können dementsprechend von den angegebenen Werten abweichen.

Warnung! Tragen Sie immer geeigneten Gehörschutz.

Unter bestimmten Bedingungen und je nach Anwendungsdauer kann das Geräusch dieses Produktes zu Gehörverlust führen. Beachten Sie die folgenden Faktoren, die sich auf die Lärmexposition auswirken:

- ◆ Verwenden Sie Sägeblätter, die Lärmemissionen mindern,
- ◆ Verwenden Sie nur richtig geschärfte Sägeblätter, und
- ◆ Verwenden Sie speziell konstruierte, lärmreduzierende Sägeblätter.

Etiketten am Werkzeug

Folgende Piktogramme sowie der Datumscode befinden sich auf dem Werkzeug:



Warnung! Lesen Sie vor Gebrauch die Anleitung. Andernfalls besteht Verletzungsgefahr.



Tragen Sie eine Schutzbrille.



Tragen Sie Gehörschutz



Tragen Sie eine Staubmaske



Das Gerät darf nicht von Personen unter 16 Jahren verwendet werden



Halten Sie Ihre Hände nicht in die Nähe des Sägeblatts



Bereich „Keine Hände“ – Halten Sie Finger und Arme von den rotierenden Sägeblättern fern



Tragen Sie beim Umgang mit den Sägeblättern Handschuhe



Blicken Sie nicht in die eingeschaltete Leuchte



Nicht Regen aussetzen.



Ziehen Sie den Netzstecker, wenn das Kabel beschädigt oder verheddert ist.

Elektrische Sicherheit



Dieses Gerät ist schutzisoliert, daher ist keine Erdleitung erforderlich. Überprüfen Sie immer, dass die Stromversorgung der Spannung auf dem Typenschild entspricht.

- ◆ Bei einer Beschädigung des Netzkabels muss dieses durch den Hersteller oder eine BLACK+DECKER Vertragswerkstatt ausgetauscht werden, um mögliche Gefahren zu vermeiden.

Spannungsabfälle

Der Einschaltstrom kann einen kurzfristigen Spannungsabfall verursachen. Dies kann ggf. die Stromversorgung anderer Geräte beeinflussen. Bei einer Systemimpedanz der Stromversorgung von unter $0,178 \Omega$ sind Störungen unwahrscheinlich.

Verwenden eines Verlängerungskabels

Verwenden Sie ausschließlich geprüfte Verlängerungskabel, die für die Leistungsaufnahme dieses Geräts ausgelegt sind (siehe "Technische Daten"). Prüfen Sie vor der Inbetriebnahme das Netzkabel auf Verschleiß und Beschädigungen. Wechseln Sie beschädigte oder fehlerhafte Verlängerungskabel aus. Wenn Sie eine Kabeltrommel verwenden, wickeln Sie das Kabel vollständig ab. Die Verwendung eines Verlängerungskabels, das für die Leistungsaufnahme des Geräts nicht ausgelegt ist, oder eines beschädigten oder fehlerhaften Kabels kann zu Bränden und elektrischen Schlägen führen.

Merkmale

Dieses Gerät verfügt über einige oder alle der folgenden Merkmale:

1. Gleitschienen
2. Neigungsverriegelungsknopf
3. Stütze
4. Werkstückklemme
5. Tischerweiterungsschiene
6. Schraubenlöcher
7. Gehrungswinkelanzeige

8. Tischeinsatz
9. Gehrungsverriegelung
10. Basisplatte
11. Drehtisch
12. Hinterer Anschlag
13. Sägeblatt
14. Sägeblattschutz
15. Montageplatte für die Schutzvorrichtung
16. Motorgehäuse
17. Sägekopf-Arretierstift
18. Haupthandgriff
19. Auslöseschalter
20. Lösehebel der Schutzvorrichtung
21. Ein-/Aus-Schalter der Schnittlinienleuchte
22. Transportgriff
23. Staubsack
24. Einstellbarer Stützfuß
25. Neigungswinkelanzeige
26. Gehrungswinkelskala
27. Neigungswinkelskala
28. Gleitschienen Sicherungsschraube
29. Schnittiefenschraube
30. Werkzeug für den Sägeblattwechsel
31. Spindelverriegelung
32. Lösevorrichtung der Gehrungsverriegelung
33. Verriegelungsschraube der Erweiterungsschiene
34. Klemmenverriegelungsschraube
35. Gleitschienenverriegelungsschraube
36. Kabelumwicklung

Montage

Ihre Gehrungssäge wird teilweise zusammengebaut geliefert.

- ◆ Öffnen Sie die Verpackung und heben Sie die Säge heraus.
- ◆ Stellen Sie die Säge auf eine glatte, flache Oberfläche wie eine Werkbank oder einen stabilen Tisch.
- ◆ Beachten Sie das Montagediagramm auf Seite 2 dieses Handbuchs, um sich mit der Säge und ihren verschiedenen Teilen vertraut zu machen. Der Abschnitt über Einstellungen bezieht sich auf die Begriffe darin, daher sollten Sie wissen, was und wo die Teile sind.
- ◆ Beim Versand des Werkzeugs ist der Griff durch den Sägekopf-Arretierstift (17) in der abgesenkten Position gesichert. Ziehen Sie am Sägekopf-Arretierstift (17) und drehen Sie ihn um 90° entweder im oder gegen den Uhrzeigersinn, siehe Abbildung A.
- ◆ Die Gehrungsverriegelung (9) ist beim Versand nicht montiert. Nehmen Sie die Gehrungsverriegelung (9) aus der Verpackung und schrauben Sie sie an die Säge; die richtige Stelle zeigt die Abbildung B.

Tischerweiterungsschiene (Abb. C & D)

Ihre Gehrungssäge wird mit 2 Tischerweiterungsschienen (5) geliefert, um lange, überhängende Werkstücke abzustützen.

- ◆ Ziehen Sie die Tischerweiterungsschiene (5) auf die für das Werkstück erforderliche Länge heraus, siehe Abbildung C.
- ◆ Sichern Sie sie durch Anziehen der Verriegelungsschraube der Erweiterungsschiene (33), siehe Abbildung D.
- ◆ Wiederholen Sie den Vorgang auf der gegenüberliegenden Seite.

Stütze - nur BES710 (Abb. E)

Die Gehrungssäge BES710 wird mit 1 Stütze (3) an der Rückseite geliefert, um die Stabilität zu erhöhen.

Montage auf einer Werkbank (Abb. F)

Die Gehrungssäge kann mit vier Schrauben (6a) (nicht im Lieferumfang enthalten) mit den in der Werkzeugbasis vorhandenen Schraubenlöchern (6) auf einer ebenen und stabilen Oberfläche festgeschraubt werden. Dies verhindert ein Umkippen und mögliche Verletzungen.

Staubsaugung (Abb. G)

Die Verwendung des Staubsacks (23) erleichtert das Sägen und die Staubabsaugung.

- ◆ Befestigen Sie den Staubsack (23) an der Staubbüse (23a).
- ◆ Wenn der Staubsack (23) etwa zur Hälfte gefüllt ist, nehmen Sie ihn vom Werkzeug ab.
- ◆ Leeren Sie den Staubsack durch leichtem Klopfen, um an den Innenseiten anhaftende Partikel zu entfernen, die das weitere Sammeln von Staub behindern könnten.

Hinweis: Wenn Sie einen Werkstattstaubsauger an Ihre Säge anschließen, können Sie effizienter und sauberer arbeiten.

Anbringen der Werkstückklemme (Abb. H)

- ◆ Stecken Sie die Klemme (4) in das Loch (4c) hinter dem Anschlag. Die Schraubklemme muss zur Rückseite der Gehrungssäge zeigen. Die Rille an der Schraubstockstange muss vollständig in das Unterteil eingesetzt werden. Stellen Sie sicher, dass die Rille vollständig in das Unterteil der Gehrungssäge eingesetzt ist. Wenn die Rille sichtbar ist, ist der Schraubstock nicht sicher.
- ◆ Drehen Sie die Schraubklemme 180° zur Vorderseite der Gehrungssäge.
- ◆ Lösen Sie den Knopf (4b), um die Schraubklemme nach oben oder unten einzustellen, verwenden Sie dann den Feineinstellknopf (4a), um die Schraubklemme am Werkstück festzuklemmen.

Hinweis: Setzen Sie den Schraubstock auf die gegenüberliegende Seite des Unterteils, wenn Sie

Neigungsschnitte vornehmen. MACHEN SIE IMMER EINEN VERSUCH (MIT AUSGESCHALTETER SÄGE), BEVOR SIE MIT DEM EINGESCHALTETEN GERÄT ARBEITEN, SO DASS SIE DIE BAHN DES SÄGEBLATTS ÜBERPRÜFEN KÖNNEN.

STELLEN SIE SICHER DASS DER SCHRAUBSTOCK NICHT DEN BETRIEB DER SÄGE ODER DIE SCHUTZVORRICHTUNGEN BEHINDERT.

Wechsel oder Montage eines neuen Sägeblatts (Abb. I, J, K)

Warnung! Um die Gefahr schwerer Verletzungen zu mindern, schalten Sie das Gerät aus und trennen Sie es vom Netz, bevor Sie es bewegen, Zubehör austauschen oder Einstellungen vornehmen.

Warnung! Drücken Sie niemals den Spindelarretierknopf (31) herunter, wenn das Sägeblatt unter Strom steht oder am Auslaufen ist.

Warnung! Schneiden Sie mit dieser Kapp- und Gehrungssäge kein Leichtmetall und Eisenmetall (eisen- oder stahlhaltig) oder Mauerwerks- oder Zementfasererzeugnisse.

Entfernen des Sägeblatts

- ◆ Ziehen Sie den Netzstecker der Säge.
- ◆ Heben Sie den Arm in die obere Position und schieben Sie die Schutzvorrichtung (14) so weit wie möglich nach oben.
- ◆ Entfernen Sie die Schraube der Schutzklammer (13c) nicht, aber lösen Sie sie so weit, bis die Klammer weit genug angehoben werden kann, um an die Sägeblattschraube (13a) zu gelangen. Die untere Schutzvorrichtung bleibt dann aufgrund der Position der Schraube der Schutzklammer angehoben, siehe Abbildung I.
- ◆ Drücken Sie den Spindelarretierknopf (31) und drehen Sie das Sägeblatt vorsichtig von Hand, bis die Arretierung einrastet, siehe Abbildung J.
- ◆ Halten Sie den Knopf gedrückt und lösen Sie mit der anderen Hand und dem mitgelieferten Werkzeug für den Sägeblattwechsel (30) die Sägeblattschraube (13a). (Im Uhrzeigersinn drehen, Linksgewinde.)
- ◆ Entfernen Sie Sägeblattschraube (13a), Unterlegscheibe der äußeren Schraubklemme (13d), Sägeblatt (13) und Sägeblattadapter (13e), falls verwendet. Die innere Unterlegscheibe der Schraubklemme (13f) kann auf der Spindel bleiben.

Anbringen eines Sägeblatts

- ◆ Ziehen Sie den Netzstecker der Säge.
- ◆ Setzen Sie bei gehobenem Arm, offen gehaltener Schutzvorrichtung und angehobener Schutzklammer das Sägeblatt auf die Spindel, und setzen Sie es auf die

innere Sägeblattklemme, wobei die Zähne am unteren Blattrand in Richtung der Rückseite der Säge zeigen.

- ◆ Befestigen Sie die Unterlegscheibe der äußeren Schraubklemme auf der Spindel.
- ◆ Montieren Sie die Sägeblattschraube und, während Sie die Spindelarretierung betätigen, ziehen Sie die Schraube mit dem mitgelieferten Schlüssel fest (gegen den Uhrzeigersinn drehen, Linksgewinde).

Einstellen des Gehrungswinkels (Abb. L)

- ◆ Lösen Sie den Griff (9), indem Sie ihn gegen den Uhrzeigersinn drehen.
- ◆ Bewegen Sie den Drehtisch (11) mit Hilfe der Lösevorrichtung der Gehrungsverriegelung (32) in die Position, in welcher der Zeiger (7) auf den gewünschten Winkel auf der Gehrungsskala (26) zeigt, und ziehen Sie den Griff im Uhrzeigersinn fest.
- ◆ Der einstellbare Stützfuß (24) soll helfen, das Werkzeug im Gleichgewicht zu halten. Nach jedem Anpassen des Gehrungswinkels sollten Sie den Drehknopf im Uhrzeigersinn oder gegen den Uhrzeigersinn drehen, bis das Unterteil den Boden berührt. Je nach Tiefe Ihrer Werkbank gibt es dafür zwei Positionen.

Schnitttiefe

Wenn Sie eine Nut schneiden möchten, können Sie die Schnitttiefe mit der Schnitttiefenschraube (29) oder dem Sägeblatt einstellen.

- ◆ Drehen Sie die Schnitttiefenschraube (29) und befestigen Sie sie mit der Kontermutter.

Einstellung des Anschlags

Stellen Sie vor dem Gehrungsschnitt sicher, dass kein Teil des Werkzeugs den Anschlag (12) berührt, wenn Sie den Griff an einer beliebigen Position vollständig absenken und anheben und den Schlitten ganz nach unten ziehen oder schieben. Vergewissern Sie sich vor der Verwendung des Werkzeugs, dass der Schiebeanschlag durch die Gleitschienenverriegelungsschraube (35) gesichert ist.

Warnung! Schieben Sie bei Gehrungsschnitten den Gleitanschlag nach links und sichern Sie ihn. Andernfalls kann er das Sägeblatt oder ein Teil des Werkzeugs berühren, was zu schweren Verletzungen des Bedieners führen kann.

Dieses Werkzeug ist mit dem Schiebeanschlag ausgestattet, der normalerweise mittig angebracht sein sollte. Wenn Sie jedoch linke Gehrungsschnitte ausführen, setzen Sie ihn auf die linke Position, wenn der Werkzeugkopf ihn berührt. Vergessen Sie nicht, nach Abschluss des Gehrungsschnittes den Schiebeanschlag wieder in die ursprüngliche Position zu bringen und durch Anziehen der Gleitschienenverriegelungsschraube (35) zu sichern.

Einstellen des Gehrungswinkels (Abb. M)

Wenn Sie den Schlitten nach links neigen, lösen Sie den Hebel (2) an der Rückseite des Werkzeugs gegen den Uhrzeigersinn. Entriegeln Sie den Arm, indem Sie den Griff in nur eine Richtung drücken.

- ◆ Neigen Sie das Sägeblatt, bis der Zeiger (25) auf den gewünschten Winkel auf der Neigungsskala (27) zeigt.
- ◆ Ziehen Sie den Hebel (2) im Uhrzeigersinn fest, um den Arm zu sichern.

Warnung! Achten Sie beim Neigen des Sägeblatts darauf, den Griff vollständig anzuheben. Sichern Sie den Arm nach dem Ändern des Anschlagwinkels immer durch Anziehen des Hebels im Uhrzeigersinn.

Warnung! Achten Sie beim Neigen des Sägeblattes immer auf das Gewicht des Kopfes und achten Sie darauf, dass er nicht herunterfällt.

Schalterbetätigung (Abb. N)

Achtung! Bevor Sie den Netzstecker einstecken, prüfen Sie immer, ob der Auslöseschalter (19) korrekt funktioniert und beim Loslassen in die AUS-Position zurückkehrt.

- ◆ Um das Gerät zu starten, bewegen Sie den Lösehebel der Schutzvorrichtung (20) mit dem Zeigefinger nach rechts.
- ◆ Drücken Sie den Schalter (19).
- ◆ Um das Gerät zu stoppen, lassen Sie den Auslöseschalter (19) los.

Warnung! Verwenden Sie niemals ein Werkzeug ohne voll funktionsfähigen

Auslöser. Jedes Werkzeug mit einem nicht funktionsfähigen Schalter ist SEHR GEFÄHRLICH und muss vor der Verwendung repariert werden.

Verwendung des Schnittliniensystems (Abb. N)

Hinweis: Die Gehrungssäge muss an eine Stromquelle angeschlossen sein. Das Schnittliniensystem ist mit einem Ein-/Aus-Schalter (21) versehen. Das Schnittliniensystem ist von dem Auslöseschalter der Gehrungssäge unabhängig.

Die Leuchte muss nicht eingeschaltet sein, um die Säge betreiben zu können. So schneiden Sie entlang einer vorgezeichneten Linie auf einem Holzstück:

- ◆ Schalten Sie das Schnittliniensystem ein, ziehen Sie dann den Bedienungsgriff (18) nach unten, um das Sägeblatt dicht ans Holz zu bringen. Der Schatten des Sägeblatts erscheint auf dem Holz.
- ◆ Richten Sie die vorgezeichnete Linie an der Kante des Schattens des Sägeblatts aus. Eventuell müssen Sie den Gehrungs- oder Neigungswinkel anpassen, damit er der Linie genau entspricht.

Querschnitte

Ein Querschnitt ist ein Schnitt durch Holz in einem beliebigen Winkel quer zur Maserung. Ein gerader Querschnitt erfolgt mit dem Gehrungsarm in der Null-Grad-Position. Stellen Sie den Gehrungsarm bei null ein und verriegeln Sie ihn, und halten Sie das Holz fest gegen den Tisch und den Anschlag. Schalten Sie bei festgezogenem Schienenverriegelungsknopf die Säge ein, indem Sie den Auslöseschalter (19) hereindrücken.

Wenn die Säge schneller wird (nach etwa 1 Sekunde), senken Sie den Arm gleichmäßig und langsam ab, um das Holz zu schneiden. Lassen Sie das Sägeblatt vollständig zum Stillstand kommen, bevor Sie den Arm heben.

Wenn Werkstücke geschnitten werden, die größer als 51 x 102mm, sind, führen Sie mit gelöster Schienenverriegelungsschraube eine Bewegung nach außen-unten-zurück durch. Ziehen Sie die Säge zu sich heraus, senken Sie den Sägekopf auf das Werkstück, und schieben Sie die Säge langsam zurück, um den Schnitt fertigzustellen. Lassen Sie das Sägeblatt beim Herausziehen nicht die Oberseite des Werkstücks berühren. Die Säge kann auf Sie zulaufen, was zu Verletzungen oder Schäden am Werkstück führen kann.

Warnung! Verwenden Sie immer eine Werkstückklemme, um die Kontrolle zu behalten und das Risiko von Beschädigungen des Werkstücks und Verletzungen zu reduzieren.

Hinweis: Der Schienenverriegelungsknopf muss locker sein, damit die Säge an den Schienen entlanggleiten kann.

Gehrungsquerschnitte erfolgen mit dem Gehrungsarm in einem anderen Winkel als Null. Dieser Winkel ist häufig 45° für Ecken, kann aber auf jeden Wert von Null bis 47° links oder 47° rechts eingestellt werden. Führen Sie den Schnitt wie oben beschrieben durch.

Um entlang einer vorgezeichneten Linie auf einem Holzstück zu schneiden, muss der Winkel so weit wie möglich damit übereinstimmen. Schneiden Sie das Holz etwas zu lang ab und messen Sie von der Bleistiftlinie bis zur Schnittkante, um zu bestimmen, in welche Richtung der Gehrungswinkel eingestellt und neu gesägt werden muss. Dies erfordert einige Übung, ist aber eine häufig verwendete Technik.

Körper- und Handhaltung (Abb. O1 – O4)

Die richtige Positionierung von Körper und Händen beim Betrieb der Gehrungssäge macht das Sägen einfacher, genauer und sicherer. Halten Sie Ihre Hände vom Schneidbereich fern. Bringen Sie die Hände nicht näher als 152 mm an das Sägeblatt heran. Halten Sie das Werkstück beim Sägen dicht am Tisch und Anschlag. Halten Sie Ihre

Hände in der Position, bis der Schalter losgelassen wurde und das Sägeblatt vollständig zum Stillstand gekommen ist. MACHEN SIE IMMER EINEN VERSUCH (MIT AUSGESCHALTETER SÄGE), BEVOR SIE MIT DEM EINGESCHALTETEN GERÄT ARBEITEN, SO DASS SIE DIE BAHN DES SÄGEBLATTS ÜBERPRÜFEN KÖNNEN. KREUZEN SIE IHRE HÄNDE NICHT, SIEHE ABB. O3 und O4. Halten Sie beide Füße fest auf dem Boden und achten Sie darauf, das Gleichgewicht zu behalten. Folgen Sie den Bewegungen des Sägearms nach links und rechts. Stehen Sie dabei ein wenig seitlich des Sägeblattes. Blicken Sie durch die Schutzvorrichtungsgitter, wenn Sie einer vorgezeichneten Linie folgen.

Einstellung des Winkelmaßes auf den Tisch (Abb. P)

Zum Ausrichten des Winkelmaßes auf den Tisch, verriegeln Sie den Arm mit dem Arretierstift in der unteren Position. Setzen Sie ein Winkelmaß gegen das Sägeblatt, stellen Sie dabei sicher, dass das Winkelmaß nicht auf einem Zahn sitzt. Lösen Sie den Neigungsverriegelungsknopf und stellen Sie sicher, dass der Arm fest gegen den 0° Neigungsanschlag sitzt. Drehen Sie die 0° Neigungseinstellschraube mit einem 10-mm-Schlüssel (nicht mitgeliefert) so weit, dass das Sägeblatt eine 0° Neigung zum Tisch hat, so wie es mit dem Winkelmaß gemessen wurde.

Sägen von Bilderrahmen, Schattenboxen und anderen vierseitigen Objekten (Abb. Q1, Q2)

Um zu verstehen, wie Sie die genannten Objekte herstellen können, empfehlen wir, dass Sie dies mit Altholz an ein paar einfachen Projekten ausprobieren, bis Sie ein Gefühl für die Säge entwickelt haben. Ihre Säge ist das perfekte Werkzeug für das Gehen von Ecken wie der in Abbildung Q1. Skizze A in Abbildung Q2 zeigt eine Verbindung, um mithilfe der Neigungseinstellung die Kanten der beiden Bretter um je 45° für eine 90° Ecke zu gehen. Für diese Verbindung wird der Gehrungsarm in der Nullposition verriegelt und die Neigungseinstellung bei 45°. Das Holz wird mit der breiten flachen Seite gegen den Tisch und der schmalen Kante gegen den Anschlag gelegt. Der Schnitt könnte auch durch Gehen der rechten und linken Seite mit der breiten Fläche gegen den Anschlag gemacht werden.

Schneiden von Zierleisten und anderen Rahmen (Abb. Q2)

Skizze B in Abbildung Q2 zeigt eine Verbindung, die mit dem Gehrungsarm bei 45° gemacht wurde, um die beiden Bretter für eine 90° Ecke zu gehen. Stellen Sie für diese Art von Verbindung die Neigungseinstellung auf null und den Gehrungsarm auf 45°. Setzen Sie das Holz wieder mit der breiten flachen Seite auf den Tisch und der schmalen Kante gegen den Anschlag. Die Abbildungen Q1 und Q2 gelten

nur für vierseitige Objekte. Wenn sich die Anzahl der Seiten ändert, gilt dies auch für die Gehrungs- und Neigungswinkel.

Das Diagramm unten gibt die korrekten Winkel für verschiedene Formen.

Anzahl an Seiten	Gehrungs- oder Neigungswinkel
4	45°
5	36°
6	30°
7	25,7°
8	22,5°
9	20°
10	18°

Das Diagramm geht davon aus, dass alle Seiten gleich lang sind. Für eine Form, die nicht im Diagramm enthalten ist, verwenden Sie folgende Formel:
 180° geteilt durch die Anzahl der Seiten entspricht der Gehrung (wenn das Material senkrecht geschnitten wird) oder dem Neigungswinkel (wenn das Material flach liegend geschnitten wird).

Doppelgehrungsschnitte (Abb. Q3)

Ein Doppelgehrungsschnitt ist Schnitt mit einem Gehrungswinkel und einem Neigungswinkel gleichzeitig. Diesen Schnitttyp verwendet man für Rahmen oder Kästen mit schrägen Seiten wie der in Abbildung Q3.

Hinweis: Wenn der Schnittwinkel von Schnitt zu Schnitt variiert, überprüfen Sie, dass der Neigungsverriegelungsknopf und der Gehrungsverriegelungsgriff sicher verriegelt sind. Sie müssen verriegelt werden, nachdem Änderungen an Neigung oder Gehrung vorgenommen wurden.

Schneiden von Grundformen (Abb. R)

Gerade 90°-Schnitte:

Positionieren Sie das Holz gegen den Anschlag und halten Sie es fest, wie in Abbildung R gezeigt. Schalten Sie die Säge ein, lassen Sie das Sägeblatt die volle Geschwindigkeit erreichen und senken Sie den Arm sanft auf den Schnitt ab.

Schneiden von Grundformen bis zu 70 mm / 90 mm hoch vertikal gegen den Anschlag

BES700 - 70 mm für 216 mm
 BES710 - 90 mm für 254 mm

Positionieren Sie das Material wie in Abbildung R gezeigt. Alle Schnitte müssen mit der Rückseite der Form gegen den Anschlag und mit der Unterseite gegen den Tisch erfolgen.

	Innenecke	Außenecke
Linke Seite	Gehrung links 45° Linke Seite des Schnitts beibehalten	Gehrung rechts 45° Linke Seite des Schnitts beibehalten
Rechte Seite	Gehrung rechts 45° Rechte Seite des Schnitts beibehalten	Gehrung links 45° Rechte Seite des Schnitts beibehalten

Material bis zu 70 mm / 90mm kann wie oben beschrieben geschnitten werden.

BES700 - 70 mm für 216 mm

BES710 - 90 mm für 254 mm

Schneiden von Abschlussleisten

Um genau zu passen, müssen Abschlussleisten mit extremer Genauigkeit auf Gehrung gesägt werden. Die zwei flachen Oberflächen für eine geplante Abschlussleiste müssen Winkel haben, die, wenn sie zusammenaddiert werden, genau 90° entsprechen. Die meisten, aber nicht alle, Abschlussleisten haben einen oberen hinteren Winkel (der Abschnitt, der flach an der Decke anliegt) von 52° und einen unteren hinteren Winkel (der Abschnitt, der flach an der Wand anliegt) von 38°. Ihre Gehrungssäge besitzt bei 31,6° links und rechts jeweils spezielle voreingestellte Gehrungs-Rastpunkte, um die richtigen Winkel von Abschlussleisten sägen zu können. Es gibt auch eine Markierung auf der Neigungsskala bei 33,9°. Das Diagramm „Einstellen der Neigung/Schnitttyp“ zeigt die korrekten Einstellungen zum Sägen von Abschlussleisten. (Die Zahlen für die Gehrungs- und Neigungseinstellungen sind sehr genau und lassen sich nicht einfach genau an Ihrer Säge einstellen.) Da die meisten Räume keine Winkel von genau 90° haben, müssen Sie die Einstellungen präzise feinabstimmen.

Anweisungen zum Schneiden von Abschlussleisten, die flach liegen, und Verwendung von Merkmalen von Doppelgehrungsschnitten

- ◆ Legen Sie die Leiste mit der breiten Rückseite flach auf den Sägestisch (Abb. S1).
- ◆ Die folgenden Einstellungen gelten für alle Standardabschlussleistenformen mit Winkeln von 52° und 38°.

Einstellen der Neigung	Schnitttyp
33,9°	LINKE SEITE, INNENECKE: 1. Oberteil der Leiste gegen Anschlag 2. Gehrungstischeinstellung rechts 31,6° 3. Linkes Ende des Schnitts beibehalten

Einstellen der Neigung	Schnitttyp
33,9°	RECHTE SEITE, INNENECKE: 1. Unterteil der Leiste gegen Anschlag 2. Gehrungstischeinstellung links 31,6° 3. Linkes Ende des Schnitts beibehalten
33,9°	LINKE SEITE, AUSSENECKE: 1. Unterteil der Leiste gegen Anschlag 2. Gehrungstischeinstellung links 31,6° 3. Rechtes Ende des Schnitts beibehalten
33,9°	RECHTE SEITE, AUSSENECKE: 1. Oberteil der Leiste gegen Anschlag 2. Gehrungstischeinstellung rechts 31,6° 3. Rechtes Ende des Schnitts beibehalten

- ◆ Legen Sie die Leiste so an, dass der untere Teil (der beim Einbau gegen die Wand gerichtet ist) gegen den Anschlag (12) liegt und der obere Teil auf dem Sägetisch (11) liegt; siehe Abbildung S2.
- ◆ Die winkligen „flachen“ Teile an der Rückseite des Werkstücks müssen rechtwinklig auf Anschlag und Sägetisch liegen.

	Innenecke	Außenecke
Linke Seite	Gehrung rechts 45° Rechte Seite des Schnitts beibehalten	Gehrung links 45° Rechte Seite des Schnitts beibehalten
Rechte Seite	Gehrung links 45° Linke Seite des Schnitts beibehalten	Gehrung rechts 45° Linke Seite des Schnitts beibehalten

Spezialschnitte

Führen Sie nur dann Schnitte durch, wenn das Material am Tisch und Anschlag gesichert wurde.

Gekrümmtes Material (Abb. T1, T2)

Beim Schneiden von gekrümmtem Material dieses immer wie in Abbildung T1 gezeigt auflegen und nie wie in Abbildung T2. Falsches Auflegen verursacht Schäden am Sägeblatt.

Sägen von rundem Material

Spannen Sie rundes Material fest oder halten Sie es gut am Anschlag fest, damit es nicht wegrollen kann. Dies ist extrem wichtig bei Winkelschnitten.

Schneiden großer Werkstücke (Abb. U)

Gelegentlich haben Sie mit Holzstücken zu tun, die etwas zu groß sind, um unter die untere Schutzvorrichtung zu passen. Zum Lösen der Schutzvorrichtung schalten Sie die Säge aus und legen Sie die rechte Hand auf den Bediengriff. Setzen Sie dann den rechten Daumen außerhalb des oberen Teils der Schutzvorrichtung und rollen Sie die Schutzhaube gerade so hoch, dass das Holz frei wird; siehe Abbildung U. Lassen Sie die Schutzvorrichtung los, bevor Sie den Motor starten. Der Schutzmechanismus funktioniert während des Schnitts ordnungsgemäß. Tun Sie dies nur, wenn es unbedingt nötig ist. **BINDEN ODER KLEBEN SIE DIE SCHUTZVORRICHTUNG NIEMALS FEST ODER HALTEN SIE SIE AUF ANDERE WEISE OFFEN, WENN SIE DIESE SÄGE BETREIBEN.**

Warnung! Vergewissern Sie sich immer, dass das Werkzeug ausgeschaltet ist und der Netzstecker gezogen wurde, bevor Sie die Werkzeugfunktion einstellen oder überprüfen.

Hinweis: Beachten Sie bei der Einstellung von Fasen- und Gehrungswinkeln für alle Gehrungsverbindungen, dass die für Abschlussleisten angegebenen Winkel sehr genau sein müssen und nur schwer präzise einzustellen sind. Da sie sich schnell etwas verschieben können und nur sehr wenige Räume exakt rechtwinklige Ecken haben, sollten alle Einstellungen an Altmaterial ausprobiert werden.

Alternative Methode zum Schneiden von Abschlussleisten

Positionieren Sie die Leiste so in einem Winkel zwischen dem Anschlag (12) und dem Sägetisch (11), dass die Oberseite der Leiste auf dem Tisch und die Unterseite der Leiste auf dem Anschlag liegt; siehe Abbildung S2. Der Vorteil beim Schneiden von Abschlussleisten mit diesem Verfahren besteht darin, dass kein Neigungsschnitt erforderlich ist. Genaue Änderungen am Gehrungswinkel können ohne Beeinträchtigung des Neigungswinkels erfolgen. Wenn also andere Ecken als solche mit 90° vorhanden sind, kann die Säge schnell und einfach darauf eingestellt werden.

Anweisungen zum Schneiden von Abschlussleisten, die winklig zwischen Anschlag und Unterteil der Säge liegen, für alle Schnitte

Mit dieser Säge können verschachtelte Abschlussleisten bis zu 14 mm x 92 mm gesägt werden.

Nach dem Gebrauch

- ◆ Wischen Sie nach dem Gebrauch am Werkzeug anhaftende Späne und Staub mit einem Tuch oder dergleichen ab.
- ◆ Halten Sie den Sägeblattschutz gemäß den Anweisungen im obigen Abschnitt sauber.
- ◆ Schmieren Sie die gleitenden Teile mit Maschinenöl, um Rostbildung zu vermeiden.
- ◆ Ziehen Sie den Schlitten bei der Aufbewahrung des Werkzeugs vollständig in Ihre Richtung.

Transportieren des Werkzeugs

- ◆ Vergewissern Sie sich, dass der Netzstecker gezogen wurde.
- ◆ Sichern Sie das Sägeblatt am Anschlagwinkel von 0° und drehen Sie das Unterteil mit der Gleitschienensicherungsschraube (28) vollständig bis zum rechten Gehrungswinkel.
- ◆ Sichern Sie die Gleitschienen, nachdem Sie den Schlitten vollständig zu sich gezogen haben.
- ◆ Senken Sie den Griff vollständig ab und verriegeln Sie ihn in dieser Position, indem Sie den Sägekopf-Arretierstift (17) hereindrücken.
- ◆ Transportieren Sie das Werkzeug, indem Sie es am Transportgriff (22) halten.
- ◆ Wenn Sie Klemme, Staubsack usw. entfernen, lässt sich das Werkzeug leichter tragen.
- ◆ Transportieren Sie das Werkzeug mit einer Hand am Tragegriff (22) und einer Hand am Werkzeugunterteil.

Achtung! Sichern Sie immer alle beweglichen Teile, bevor Sie das Werkzeug transportieren. Der Sägekopf-Arretierstift (17) dient nur zum Transportieren und zur Aufbewahrung und nicht für Sägevorgänge.

Fehlerbehebung

Problem	Mögliche Ursache	Lösung
Motor startet nicht	Kabel der Säge nicht eingesteckt.	Stellen Sie sicher, dass alle Kabel angeschlossen sind.
Schnittwinkel ungenau	Gehrungstisch nicht verriegelt.	Verwenden Sie den Verriegelungshebel des Gehrungstisches (siehe Abschnitt zur Einstellung des Gehrungswinkels).
	Zu viel Sägemehl unter dem Tisch.	Staub absaugen oder weglassen. Tragen Sie Augenschutz.
Der Schneidarm lässt sich nicht vollständig anheben oder der Sägeblattschutz nicht vollständig schließen	Defekte Teile.	Wenden Sie sich an eine Vertragswerkstatt.
	Drehfeder wurde nach dem Service nicht wieder ordnungsgemäß eingesetzt.	Wenden Sie sich an eine Vertragswerkstatt.
	Ansammlung von Sägemehl.	Bewegliche Teile reinigen und schmieren.
	Sägekopf-Arretierstift nicht richtig eingestellt.	Sägekopf-Arretierstift prüfen, justieren und richtig einstellen.

Problem	Mögliche Ursache	Lösung
Sägeblatt blockiert, bleibt stecken oder wackelt	Sägeblatt beschädigt.	Sägeblatt austauschen.
	Stumpfes Sägeblatt.	Sägeblatt austauschen oder schärfen.
	Falsches Sägeblatt.	Sägeblatt austauschen.
	Verbogenes Sägeblatt.	Sägeblatt austauschen.
Säge vibriert oder wackelt	Sägeblatt beschädigt.	Sägeblatt austauschen.
	Sägeblatt hat sich gelockert.	Wellenschraube anziehen.
	Säge nicht richtig befestigt.	Säge an einer Bank, einem Ständer oder einem Tisch befestigen.
	Werkstück nicht richtig abgestützt.	Das Werkstück richtig abstützen oder festklemmen.

Umweltschutz



Getrennte Sammlung. Produkte und Akkus mit diesem Symbol dürfen nicht mit dem normalen Hausmüll entsorgt werden.

Produkte und Akkus enthalten Materialien, die wiederverwertet werden können, um den Bedarf an Rohstoffen zu verringern. Bitte recyceln Sie elektrische Produkte und Akkus gemäß den örtlichen Bestimmungen. Weitere Informationen finden Sie auf www.2helpU.com.

Technische Daten

	BES700 Typ 1	BES710 Typ 1	
Spannung	V	230	230
Geschwindigkeit	/min	4800	5000
Sägeblattaußendurchmesser	mm	216	254
Scheibendurchmesser	mm	30	30
Gewicht	kg	12,1	14,9
Stärke des Sägeblatts	mm	1,8	1,8
Sägeblatt max. Schnitt	mm	2,8	2,8
Gehrungswinkel (Maximalstellungen)	°	+/- 47	+/- 47
Anschlagwinkel (Maximalstellungen)	°	47	47
Max. Querschnittleistung 90°	mm	305	305
Max. Gehrungsleistung 45°	mm	203	203
Max. Schnitttiefe 90°	mm	70	90
Max. Schnitttiefe 45°	mm	35	40

BES700 - Schalldruckpegel gemäß EN 62841:

L_{pA} (Schalldruck) 97,5 dB(A), Unsicherheitsfaktor (K) 3 dB(A)

L_{WA} (Schalleistung) 108,0 dB(A), Unsicherheitsfaktor (K) 3 dB(A)

BES710 - Schalldruckpegel gemäß EN 62841:

L_{pA} (Schalldruck) 96,0 dB(A), Unsicherheitsfaktor (K) 3 dB(A)

L_{WA} (Schalleistung) 107,5 dB(A), Unsicherheitsfaktor (K) 3 dB(A)

EU-Konformitätserklärung

MASCHINENRICHTLINIE



BES700, BES710 Verstellbare Kappgehrungssäge

Black & Decker erklärt, dass die in den technischen Daten beschriebenen Geräte übereinstimmen mit:
EN62841-1:2015, EN62841-3-9:2015+A11:2017

Diese Produkte entsprechen außerdem den Richtlinien
2006/42/EC, 2014/30/EU und 2011/65/EU.

Weitere Informationen erhalten Sie von Black & Decker unter der folgenden Adresse. Diese befindet sich auch auf der Rückseite dieser Anleitung.

Der Unterzeichnete ist verantwortlich für die Zusammenstellung der technischen Daten und gibt diese Erklärung im Namen von Black & Decker ab.

A. P. Smith
Technical Director
Black & Decker Europe, 210 Bath Road, Slough,
Berkshire, SL1 3YD
Vereinigtes Königreich
01/03/2019

Garantie

Black & Decker vertraut auf die Qualität der eigenen Geräte und bietet dem Käufer eine außergewöhnliche Garantie von 24 Monaten ab Kaufdatum. Diese Garantie versteht sich unbeschadet der gesetzlichen Gewährleistungsansprüche und schränkt diese keinesfalls ein. Diese Garantie gilt innerhalb der Staatsgebiete der Mitgliedstaaten der Europäischen Union und der Europäischen Freihandelszone.

Zur Inanspruchnahme dieser Garantie muss sie den allgemeinen Geschäftsbedingungen von Black & Decker entsprechen und dem Verkäufer bzw. der Vertragswerkstatt ist ein Kaufnachweis vorzulegen. Die Bedingungen für die 2-jährige Garantie von Black & Decker und den Standort Ihrer nächstgelegenen Vertragswerkstatt finden Sie im Internet unter www.2helpU.com oder indem Sie sich an die lokale Black & Decker-Niederlassung wenden, deren Adresse Sie in dieser Anleitung finden.

Ihr neues BLACK+DECKER-Produkt können Sie auf unserer Website unter www.blackanddecker.de registrieren. Dort erhalten Sie auch Informationen über neue Produkte und Sonderangebote.

Utilisation prévue

Votre scie à onglet combiné coulissante BLACK+DECKER BES700, BES710 est conçue pour scier le bois, le plastique et les métaux non ferreux uniquement. Cet outil a été conçu pour les particuliers.

Consignes de sécurité

Avertissements de sécurité générale concernant les outils électriques



Avertissement ! Veuillez lire tous les avertissements de sécurité, toutes les instructions,

les illustrations et les spécifications fournies avec cet outil électrique. Le non-respect des avertissements et des instructions listés ci-dessous peut entraîner des chocs électriques, des incendies et/ou de graves blessures.

Conservez tous les avertissements et toutes les instructions afin de pouvoir vous y référer dans le futur. Le terme "outil électrique" mentionné dans tous les avertissements listés ci-dessous fait référence à vos outils électriques branchés sur secteur (avec câble) ou fonctionnant sur pile ou batterie (sans fil).

1. Sécurité de la zone de travail

a. Maintenez la zone de travail propre et bien éclairée.

Les zones sombres ou encombrées sont propices aux accidents.

b. N'utilisez pas d'outils électriques dans un environnement présentant des risques d'explosion ou en présence de liquides, gaz ou poussières inflammables.

Les outils électriques créent des étincelles qui peuvent enflammer les poussières et les fumées.

c. Maintenez les enfants et les autres personnes éloignés lorsqu'un outil électrique est en marche.

Toute distraction peut vous faire perdre le contrôle de l'outil.

2. Sécurité électrique

a. Les prises des outils électriques doivent correspondre à la prise de courant murale. Ne modifiez jamais la prise d'aucune sorte. N'utilisez aucun adaptateur avec des outils électriques reliés à la terre.

L'utilisation de prises d'origine et de prises murales appropriées permet de réduire le risque de choc électrique.

b. Évitez tout contact physique avec des surfaces reliées à la terre comme des tuyaux, des radiateurs, des fours et des réfrigérateurs par exemple. Il y a sinon un risque accru de choc électrique si votre corps est lui-même relié à la terre.

c. N'exposez pas les outils électriques à la pluie, ni à l'humidité.

Le risque de choc électrique augmente si de l'eau pénètre dans un outil électrique.

- d. **Ne tirez pas sur le cordon d'alimentation. N'utilisez jamais le cordon pour transporter, tirer ou débrancher l'outil électrique. Maintenez le cordon éloigné de la chaleur, de substances grasses, de bords tranchants ou de pièces mobiles.** Les cordons endommagés ou emmêlés augmentent le risque de choc électrique.
- e. **Si vous utilisez un outil électrique à l'extérieur, utilisez une rallonge homologuée pour les travaux extérieurs.** L'utilisation d'une rallonge électrique homologuée pour les travaux en extérieur réduit le risque de choc électrique.
- f. **Si l'utilisation d'un outil électrique dans un endroit humide est inévitable, utilisez une alimentation électrique protégée par un disjoncteur différentiel à courant résiduel (DDR).** L'utilisation d'un DDR réduit le risque de choc électrique.
3. **Sécurité des personnes**
- a. **Restez vigilant, surveillez ce que vous faites et faites preuve de bon sens lorsque vous utilisez un outil électrique. N'utilisez pas d'outils électriques si vous êtes fatigué ou sous l'influence de drogue, d'alcool ou de médicaments.** Tout moment d'inattention pendant l'utilisation d'un outil électrique peut engendrer de graves blessures.
- b. **Portez des équipements de protection individuelle. Portez toujours une protection oculaire.** Les équipements de protection comme les masques à poussière, les chaussures de sécurité antidérapantes, les casques ou les protections auditives utilisés à bon escient réduisent le risque de blessures.
- c. **Empêchez tout démarrage intempestif. Assurez-vous que l'interrupteur est en position Arrêt avant de raccorder l'outil à l'alimentation électrique et/ou au bloc-batterie ou avant de ramasser ou de transporter l'outil.** Le fait de transporter les outils électriques le doigt sur l'interrupteur ou d'alimenter les outils électriques dont l'interrupteur est déjà en position de marche augmente le risque d'accidents.
- d. **Retirez toutes les clés ou pinces de réglage avant de mettre l'outil en marche.** Une clé ou une pince restée fixée sur une pièce rotative de l'outil électrique peut engendrer des blessures.
- e. **Ne vous penchez pas. Gardez les pieds bien ancrés au sol et conservez votre équilibre en permanence.** Cela permet de mieux maîtriser l'outil électrique en cas de situations imprévues.
- f. **Portez des vêtements appropriés. Ne portez aucun vêtement ample ou bijou. Gardez vos cheveux et vos vêtements éloignés des pièces mobiles.** Les vêtements amples, les bijoux ou les cheveux longs peuvent être happés par les pièces mobiles.
- g. **Si des dispositifs pour le raccordement d'un extracteur de poussières ou des installations pour la récupération sont présents, assurez-vous qu'ils sont correctement raccordés et utilisés.** L'utilisation de dispositifs récupérateurs de poussières réduit les risques liés aux poussières.
- h. **Ne pensez pas être familiarisé avec l'outil après l'avoir utilisé à de nombreuses reprises, au point de ne plus rester vigilant et d'en oublier les consignes de sécurité.** Toute action imprudente peut engendrer de graves blessures en une fraction de seconde.
4. **Utilisation et entretien des outils électriques**
- a. **Respectez la capacité de l'outil. Utilisez l'outil approprié en fonction du travail à réaliser.** Un outil adapté fonctionne mieux, de façon plus sûre et à la cadence pour laquelle il a été conçu.
- b. **N'utilisez pas l'outil électrique si son interrupteur ne permet pas de l'allumer ou de l'éteindre.** Tout outil électrique qui ne peut plus être commandé par son interrupteur est dangereux et doit être réparé.
- c. **Débranchez la prise du secteur et/ou le bloc-batterie de l'outil électrique avant d'effectuer tout réglage, de changer un accessoire ou de ranger l'outil électrique.** Ces mesures de sécurité préventives réduisent le risque de démarrage accidentel de l'outil électrique.
- d. **Rangez les outils électriques non utilisés hors de portée des enfants et ne laissez aucune personne ne connaissant pas ces outils ou leurs instructions d'utilisation les faire fonctionner.** Les outils électriques peuvent être dangereux entre des mains inexpérimentées.
- e. **Entretenez vos outils électriques et leurs accessoires. Vérifiez que les pièces mobiles sont alignées correctement et qu'elles ne sont pas coincées. Vérifiez qu'aucune pièce n'est cassée et contrôlez l'absence de toute autre condition qui pourrait nuire au bon fonctionnement de l'outil. En cas de dommage, faites réparer l'outil électrique avant de l'utiliser.** De nombreux accidents sont provoqués par des outils électriques mal entretenus.
- f. **Maintenez les organes de coupe affûtés et propres.** Des organes de coupe bien entretenus et affûtés sont moins susceptibles de rester coincés et sont plus faciles à contrôler.
- g. **Utilisez l'outil électrique, les accessoires et les embouts d'outils conformément à ces instructions, en tenant compte des conditions de travail, ainsi que du travail à effectuer.** L'utilisation d'un outil électrique à des fins autres que celles pour lesquelles il a été prévu engendre des situations dangereuses.
- h. **Veillez à ce que les poignées et les surfaces de préhension soient sèches et propres, sans trace d'huile ou de graisse.** Des poignées glissantes et des surfaces grasses ne permettent pas de manipuler ou de

contrôler l'outil de façon sûre en cas de situation inattendue.

5. Révision/Réparation

- a. **Ne faites réparer votre outil électrique que par un réparateur qualifié qui n'utilise que des pièces de rechange d'origine.** Cela permet de garantir la sûreté de l'outil électrique.

Consignes de sécurité liées aux scies à onglet

- ◆ **Les scies à onglet servent à scier le bois ou les produits dérivés du bois, elles ne peuvent pas être utilisées avec des disques abrasifs de tronçonnage prévus pour les métaux ferreux comme les barres, les tiges, les goujons, etc.** La poussière abrasive provoque le blocage des pièces mobiles comme le carter de protection inférieur par exemple. Les étincelles émises lors du tronçonnage abrasif peuvent embraser le carter inférieur, le repère de trait de coupe et les autres pièces en plastique.
- ◆ **Utilisez des dispositifs de fixation pour maintenir l'ouvrage lorsque c'est possible. Si vous devez soutenir la pièce à la main, gardez toujours votre main à au moins 100 mm des deux côtés de la lame de scie. N'utilisez pas cette scie pour scier des pièces trop petites pour être correctement fixées ou tenues à la main.** Si votre main se trouve trop près de la lame de scie, le risque de blessure par la lame est accru.
- ◆ **L'ouvrage doit être fixe et attaché ou tenu contre la garde et le plateau. Ne poussez pas l'ouvrage vers la lame et ne sciez pas "à main levée".** Les ouvrages non fixés ou mobiles peuvent être projetés à haute vitesse et provoquer des blessures.
- ◆ **Poussez la scie à travers l'ouvrage. Ne tirez pas la scie à travers l'ouvrage. Pour réaliser une coupe, soulevez la tête de la scie et tirez-la, éteinte, au-dessus de l'ouvrage, démarrez le moteur, abaissez la tête de scie et poussez la scie à travers l'ouvrage.** Scier pendant la phase de traction à tendance à faire grimper la lame de scie sur le dessus de l'ouvrage et à violemment projeter l'ensemble de la lame vers l'opérateur.
- ◆ **Ne croisez jamais les mains au-dessus de la ligne de coupe prévue, que ce soit devant ou derrière la lame de scie.** Le fait de soutenir l'ouvrage les mains croisées, c-à-d de tenir l'ouvrage à droite de la lame de scie avec la main gauche ou vice-versa, est très dangereux.
- ◆ **N'avancez jamais l'une ou l'autre de vos mains derrière la garde, à plus de 100 mm de la lame quel qu'en soit le côté, pour retirer les chutes de bois ou pour une raison quelconque, lorsque la lame est en mouvement.** La distance entre la lame de scie en mouvement et votre main peut ne pas être si évidente à évaluer et vous risquez de vous blesser sévèrement.
- ◆ **Inspectez l'ouvrage avant de le scier. Si l'ouvrage est courbe ou voilé, fixez-le face courbe contre la garde. Assurez-vous toujours qu'il n'y a aucun espace entre l'ouvrage, la garde et le plateau, le long de la ligne de coupe.** Les pièces courbes ou voilées peuvent vriller ou se déplacer et provoquer le coincement de la lame en mouvement pendant le sciage. L'ouvrage ne doit contenir aucun clou ou corps étranger.
- ◆ **N'utilisez pas la scie tant que le plateau n'a pas été débarrassé de tous les outils, chutes de bois, etc et qu'il ne reste pas que la pièce à scier.** Les petits débris, les morceaux de bois ou les autres objets en vrac qui entrent en contact avec la lame en mouvement peuvent être projetés à haute vitesse.
- ◆ **Ne sciez qu'une seule pièce à la fois.** Plusieurs pièces empilées ne peuvent pas être correctement attachées ou accolées et elles peuvent coincer la lame ou se décaler pendant la coupe.
- ◆ **Assurez-vous que la scie à onglet est correctement fixée ou posée sur une surface de travail ferme et de niveau avant de l'utiliser.** Une surface de travail ferme et de niveau réduit les risques d'instabilité de la scie à onglet.
- ◆ **Planifiez votre travail. Chaque fois que vous modifiez l'angle de biseau ou l'angle de l'onglet, assurez-vous que la garde réglable est correctement placée pour soutenir l'ouvrage et qu'elle n'interfère pas avec la lame ou les carters de protection.** Sans mettre l'outil en marche et sans que l'ouvrage ne soit sur le plateau, déplacez la lame de scie pour simuler la procédure de coupe complète et vous assurer qu'il n'existe aucune interférence avec la garde et aucun risque de la scier.
- ◆ **Installez des supports adaptés, comme des rallonges de plateau, des chevalets, etc. pour les pièces plus larges ou plus longues que le plateau de l'établi.** Les pièces plus longues ou plus larges que le plateau de la scie à onglet peuvent basculer si elles ne sont pas correctement soutenues. Le morceau coupé de la pièce ou les bouts de l'ouvrage peuvent soulever le carter inférieur ou être projetés par la lame en rotation.
- ◆ **Ne demandez à personne de se substituer à une rallonge ou de servir de support supplémentaire.** Les supports de pièce instables peuvent provoquer le coincement de la lame ou le déplacement de la pièce pendant la découpe et vous faire entrer, vous et la personne qui vous aide, en contact avec la lame en rotation.
- ◆ **Le morceau coupé de la pièce ne doit en aucune manière être bloqué ou comprimé contre la lame de scie en rotation.** S'il l'est, à l'aide de butées de longueur

par exemple, le morceau coupé de la pièce peut se retrouver enclavé contre la lame et être violemment projeté.

- ◆ **Utilisez toujours un système d'attache ou de serrage conçu pour correctement soutenir les matériaux ronds comme les baguettes ou les tubes.** Les baguettes ont tendance à rouler pendant leur découpe et à faire "mordre" la lame et à attirer votre ouvrage et votre main vers la lame.
- ◆ **Laissez le moteur atteindre son plein régime avant de mettre la lame en contact avec l'ouvrage.** Cela permet de réduire le risque de projection de la pièce.
- ◆ **Si la pièce et/ou la lame sont bloquées, éteignez la scie. Patientez le temps que toutes les pièces mobiles se soient arrêtées et débranchez la prise de la source d'alimentation électrique et/ou retirez le bloc-batterie. Intervenez ensuite pour libérer les pièces coincées.** Continuer à scier alors que l'ouvrage est bloqué peut provoquer une perte de contrôle ou endommager la scie à onglet.
- ◆ **Une fois la découpe terminée, relâchez l'interrupteur, gardez la tête de scie abaissée et attendez que la lame soit arrêtée avant de retirer la pièce coupée.** Avancer ses mains près d'une lame tournant encore par inertie est dangereux.

Consignes de sécurité supplémentaires pour les scies à onglet

- ◆ **Maintenez fermement la poignée pour les coupes incomplètes ou si vous relâchez l'interrupteur avant que la tête de scie ne soit complètement abaissée.** Le freinage de la tête de scie vers le bas ce qui représente donc un risque de blessure.
- ◆ L'usage prévu est décrit dans ce manuel d'utilisation. L'utilisation d'un accessoire ou d'une fixation non recommandé et l'utilisation de cet appareil à d'autres fins que celles recommandées dans ce manuel d'utilisation peut entraîner des blessures et/ou des dommages matériels.
- ◆ N'utilisez pas de lame fissurée, tordue, endommagée ou déformée.
- ◆ Remplacez la plaque de saignée lorsqu'elle est usée.
- ◆ N'utilisez pas de lames de diamètres supérieurs ou inférieurs à ceux recommandés. Référez-vous aux caractéristiques techniques pour connaître les caractéristiques appropriées des lames. N'utilisez que les lames mentionnées dans ce manuel, conformes à la norme EN 847-1.
- ◆ N'utilisez pas de lames HSS.



Avvertimento ! Tout contact ou inhalation des poussières émises pendant le sciage peut nuire

à la santé de l'opérateur et des personnes à proximité. Portez un masque anti-poussière spécialement conçu pour vous protéger des poussières et des fumées et veillez à ce que les personnes se trouvant à l'intérieur de la zone de travail ou y pénétrant soient également protégées.

- ◆ N'intervenez pas sur des matériaux contenant de l'amiante. L'amiante est considérée comme étant cancérigène.
- ◆ Portez des gants pour manipuler les lames et les matériaux bruts (les lames doivent si possible être transportées dans un support).
- ◆ Portez des protections auditives afin de réduire le risque de perdre l'ouïe.
- ◆ Pensez à utiliser des lames spécialement conçues pour réduire le bruit ambiant.
- ◆ Portez une protection oculaire afin de réduire les risques de blessures.
- ◆ Utilisez le sac à poussière fourni lorsque vous sciez du bois.
- ◆ **Tenez l'outil électrique par les surfaces de préhension isolées prévues à cet effet pendant les opérations pendant lesquelles l'organe de coupe pourrait entrer en contact avec des fils électriques cachés ou son propre cordon.** Tout contact de l'organe de coupe avec un fil sous tension peut mettre les parties métalliques exposées de l'outil sous tension et provoquer un choc électrique à l'utilisateur
- ◆ Choisissez une lame adaptée à la matière à scier.
- ◆ Ne faites pas fonctionner la machine sans que le carter de protection ne soit en place. Ne faites pas fonctionner la machine si le carter de protection ne fonctionne pas ou s'il n'est pas correctement entretenu.
- ◆ Prenez soin de fixer le bras solidement pour effectuer des coupes en biseau.
- ◆ Avant chaque coupe, assurez-vous que la machine est stable.
- ◆ Veillez à garder les poignées sèches et propres, exemptes d'huile ou de graisse.
- ◆ Maintenez la zone autour de la machine propre. Ne laissez aucun matériau traîner, comme par exemple des copeaux et des chutes de bois.
- ◆ Assurez-vous du bon éclairage de la machine et de la zone de travail.
- ◆ Ne laissez pas les personnes non initiées utiliser cette machine.
- ◆ Assurez-vous que la lame est correctement installée avant chaque utilisation. Assurez-vous que la lame tourne dans le bon sens. Gardez la lame bien affûtée. Suivez les instructions pour le graissage et le changement des accessoires.
- ◆ Assurez-vous que la vitesse indiquée sur la lame de scie est au moins égale à la vitesse indiquée sur la scie.

- ◆ Assurez-vous que toutes les entretoises et bagues d'axe utilisées sont adaptées pour l'intervention, telles que définies par BLACK+DECKER.
- ◆ Les réparations du système de guidage sur la ligne de coupe doivent être confiées à des réparateurs agréés ou à l'équipe d'assistance BLACK+DECKER.
- ◆ Débranchez la machine avant d'effectuer toute opération de maintenance ou de changer la lame.
- ◆ N'effectuez jamais aucune opération de nettoyage ou de maintenance et ne retirez jamais aucune chute de bois ou autre morceau de l'ouvrage de la zone de travail, tant que la machine est en marche et que la tête de scie n'est pas à l'arrêt.
- ◆ Lorsque cela est possible, fixez toujours la machine sur un établi.
- ◆ Assurez-vous que toutes les poignées et boutons de verrouillage sont correctement serrés avant de commencer.
- ◆ N'utilisez jamais la scie sans son plateau.
- ◆ Ne tentez jamais d'arrêter rapidement la machine en coinçant un outil ou tout autre chose contre la lame. Cela pourrait provoquer de graves accidents.
- ◆ Lisez le manuel d'utilisation avant d'utiliser la machine ou d'installer un accessoire. L'utilisation incorrect d'un accessoire peut provoquer des dommages.
- ◆ Soulevez la lame de l'insert du plateau dans l'ouvrage avant de relâcher l'interrupteur Marche/Arrêt.
- ◆ Ne calez jamais aucun élément contre le ventilateur pour bloquer l'axe du moteur.
- ◆ Le carter de protection de votre scie se soulève automatiquement quand le bras est abaissé et il s'abaisse automatiquement sur la lame quand le bras est relevé. Le carter de protection peut être relevé à la main pour l'installation ou le retrait des lames de scie ou pour procéder à l'inspection de la scie. Ne relevez jamais le carter de protection à la main si la machine n'est pas éteinte.
- ◆ Vérifiez régulièrement que les orifices d'aération du moteur sont propres et exempts de copeaux.
- ◆ N'abîmez jamais les mentions d'avertissement figurant sur l'outil électrique.
- ◆ Ne montez jamais sur l'outil électrique. De graves blessures pourraient être occasionnées si l'outil électrique devait basculer ou en cas de contact avec la lame de la scie.
- ◆ Après une coupe, ne touchez jamais la lame de la scie avant qu'elle n'ait refroidi. La lame chauffe énormément pendant la coupe.
- ◆ Pour éviter les blessures dues à la projection de copeaux, débranchez la scie afin d'éviter tout démarrage accidentel, puis retirez les petits copeaux.
- ◆ Avant l'utilisation et après toute opération de maintenance, contrôlez le bon fonctionnement du carter de protection.

Pour cette vérification, assurez-vous que la scie est éteinte et débranchée. Le bras doit être relevé et abaissé pour garantir que le carter de protection recouvre la lame et que cette dernière n'entre pas en contact avec le carter. Si le carter de protection ne fonctionne pas correctement, faites réparer votre outil électrique par un réparateur qualifié. Appelez le service client de BLACK+DECKER pour trouver le technicien le plus proche.

- ◆ **Cette scie à onglet a été conçue pour scier le bois, le plastique et les métaux non ferreux uniquement.** N'utilisez pas la scie pour scier des matériaux autres que ceux recommandés par le fabricant.
- ◆ Après une coupe, ne touchez jamais la lame de la scie avant qu'elle n'ait refroidi. La lame chauffe énormément pendant la coupe.



Avertissement ! La découpe de plastique, de bois recouvert de sève et d'autres matériaux peut provoquer l'accumulation de matière fondue sur les pointes et le corps de la lame de scie, augmentant ainsi le risque de surchauffe et de grippage de la lame pendant la découpe.

Risques résiduels

Les risques suivants sont inhérents à l'utilisation des scies : Malgré l'application des normes de sécurité pertinentes et la mise en œuvre de dispositifs de sécurité, certains risques résiduels ne peuvent pas être évités. Ils comprennent :

- ◆ Les blessures dues au contact avec les pièces mobiles/en rotation.
- ◆ Les troubles de l'ouïe.
- ◆ Les risques d'accidents dus à des pièces à nu de la lame de scie en mouvement.
- ◆ Les risques de blessures dus au changement de pièces, de lames ou d'accessoires.
- ◆ Le risque de coincement des doigts au moment de l'ouverture des carters de protection.
- ◆ Les risques pour la santé dus à l'inhalation des sciures de bois, et notamment de chêne, hêtre et de MDF.
- ◆ Les blessures dues à l'utilisation prolongée d'un outil. Lorsqu'un outil est utilisé pendant de longues périodes, assurez-vous de faire des pauses régulières.

Le bruit

Les valeurs de bruit émis déclarées ont été mesurées selon une méthode de test standard et elle peuvent être utilisées pour comparer un outil à un autre.

Les valeurs de bruit émis déclarées peuvent également être utilisées pour une évaluation préliminaire à l'exposition.

Avertissement ! Le bruit émis pendant l'utilisation réelle de l'outil électrique peut différer des valeurs déclarées en fonction de la façon dont l'outil est utilisé et tout particulièrement en fonction du type de pièce sciée.

Avertissement ! Portez toujours des protections auditives appropriées. Dans certaines circonstances et en fonction des durées d'utilisation, le bruit émis par ce produit peut contribuer à une perte de l'ouïe. Veuillez prendre note des facteurs suivants qui influencent l'exposition au bruit :

- ◆ L'utilisation de lames de scie conçues pour amoindrir le bruit émis,
- ◆ L'utilisation stricte de lames de scie bien affûtées, et
- ◆ L'utilisation de lames de scie spécifiquement conçues pour amoindrir le bruit.

Étiquettes apposées sur l'outil

Les pictogrammes suivants ainsi que le code date sont apposés sur l'outil :



Avertissement ! Afin de réduire le risque de blessures, l'utilisateur doit lire le manuel d'utilisation.



Portez des lunettes de protection



Portez des protections auditives



Portez un masque anti-poussière



Ce produit ne doit pas être utilisé par des enfants de moins de 16 ans



Tenez les mains éloignées de la lame



Zone interdite aux mains - Éloignez vos doigts et bras de la lame de scie en mouvement



Portez des gants pour manipuler les lames de scie



Ne regardez pas directement la lampe allumée



N'exposez pas la machine à la pluie.



Débranchez la prise de courant si le cordon est endommagé ou emmêlé.

Sécurité électrique



Cet outil est doublement isolé et ne nécessite donc aucun fil de liaison à la terre. Assurez-vous toujours que l'alimentation électrique correspond à la tension mentionnée sur la plaque signalétique.

- ◆ Si le câble d'alimentation est endommagé, il doit être remplacé par le fabricant ou par un centre d'assistance BLACK+DECKER agréé afin d'éviter tout accident.

Chutes de tension

Les appels de courant provoquent des micro-chutes de tension. Dans des conditions d'alimentation électrique défavorables, d'autres équipements peuvent en être affectés. Si l'impédance du système de l'alimentation électrique est inférieure à 0,178 Ω, les perturbations sont peu probables.

Utiliser une rallonge

Utilisez toujours une rallonge homologuée et adaptée à la puissance absorbée de cet outil (voir les caractéristiques techniques). Avant utilisation, vérifiez la rallonge et assurez-vous qu'elle ne présente aucun signe de dommage, d'usure ou de vieillissement. Remplacez la rallonge si elle est endommagée ou défectueuse. Si vous utilisez un enrouleur de câble, déroulez toujours le câble complètement. L'utilisation d'une rallonge inadaptée à la puissance absorbée de l'outil ou qui est endommagée ou défectueuse présente un risque d'incendie ou de choc électrique.

Caractéristiques

Cet outil dispose de tout ou partie des éléments suivants.

1. Barres coulissantes
2. Bouton de verrouillage du biseau
3. Socle support
4. Attache pour l'ouvrage
5. Rail d'extension du plateau
6. Trous pour boulons
7. Indicateur angle d'onglet
8. Insert du plateau
9. Bouton de verrouillage d'onglet
10. Semelle
11. Plateau rotatif
12. Garde arrière
13. Lame de scie
14. Carter de lame
15. Plaque de montage du carter de protection
16. Carter moteur
17. Goupille de verrouillage de la tête de scie
18. Poignée principale
19. Interrupteur à gâchette
20. Levier de libération de sécurité
21. Bouton Marche/Arrêt Éclairage de la ligne de coupe

22. Poignée de transport
23. Sac à poussière
24. Pied support réglable
25. Indicateur angle de biseau
26. Graduation angle d'onglet
27. Graduation angle de biseau
28. Vis de verrouillage barre coulissante
29. Vis profondeur de coupe
30. Outil pour le changement de lame
31. Verrouillage axe
32. Libération verrouillage d'onglet
33. Vis de verrouillage rail d'extension
34. Vis de verrouillage attache
35. Vis de verrouillage garde latérale
36. Enrouleur de câble

Assemblage

Votre scie à onglet est pré-assemblée dans son carton.

- ◆ Ouvrez le carton et sortez la scie.
- ◆ Placez la scie sur une surface homogène et plate, comme un établi ou un plateau solide par exemple.
- ◆ Consultez le schéma de montage de la page 2 de ce manuel afin de vous familiariser avec la scie et ses différentes pièces. La section sur les réglages fait référence à ces termes et vous devez savoir reconnaître ces pièces et savoir où elles se trouvent.
- ◆ Pour l'expédition, la poignée de l'outil est verrouillée en position basse avec la goupille de verrouillage de la tête de scie (17). Tirez la goupille de verrouillage de la tête de scie (17) et tournez-la de 90° dans le sens des aiguilles d'une montre ou l'autre sens, comme illustré par la figure A.
- ◆ Le bouton de verrouillage d'onglet (9) n'est pas assemblé pour l'expédition. Retirez le bouton de verrouillage d'onglet (9) de l'emballage et vissez-le sur la scie ; consultez la figure B pour connaître son emplacement.

Rail d'extension du plateau (Fig. C et D)

Votre scie à onglet est livrée avec 2 rails d'extension de plateau (5) qui permettent de soutenir les longs ouvrages qui dépassent.

- ◆ Tirez le rail d'extension du plateau (5) à la longueur voulue en fonction de l'ouvrage, comme illustré par la figure C.
- ◆ Sécurisez le rail en position en serrant la vis de verrouillage du rail d'extension (33), comme illustré par la figure D.
- ◆ Répétez la procédure de l'autre côté.

Socle support - BES710 uniquement (Fig. E)

Votre scie à onglet BES710 est livrée avec 1 socle support (3), situé à l'arrière de la machine, pour augmenter sa stabilité.

Installation sur un établi (Fig. F)

La scie à onglet peut être boulonnée, à l'aide de quatre boulons (6a) (non fournis), sur une surface stable et de niveau, en utilisant les trous pour boulons (6) percés dans la semelle de l'outil. Cette opération permet d'empêcher tout basculement et les blessures qui en découleraient.

Récupération des poussières (Fig. G)

L'utilisation du sac à poussière (23) permet des opérations de coupe propres et il facilite la récupération des poussières.

- ◆ Pour fixer le sac à poussière (23), installez-le sur l'embout à poussière (23a).
- ◆ Retirez le sac à poussière (23) de l'outil lorsqu'il est moitié-plein.
- ◆ Videz le sac de son contenu en le tapotant doucement pour retirer les particules restées accrochées à l'intérieur et qui pourraient gêner la récupération.

Remarque : Si vous raccordez un aspirateur d'atelier à votre scie, les opérations de nettoyage sont plus efficaces.

Pour installer l'attache pour les pièces (Fig. H)

- ◆ Insérez l'attache (4) dans le trou (4c), derrière la garde. L'attache doit pointée vers l'arrière de la scie à onglet. La rainure logée dans la tige de l'attache doit être bien insérée dans la base. Assurez-vous que cette rainure est complètement insérée dans la base de la scie à onglet. Si la rainure est visible, cela signifie que l'attache est mal fixée.
- ◆ Pivotez l'attache de 180° vers l'avant de la scie à onglet.
- ◆ Desserrez le bouton (4b) pour régler l'attache vers le haut ou le bas, puis utilisez le bouton de réglage de précision (4a) pour fermement fixer l'ouvrage.

Remarque : Placez l'attache de l'autre côté de la base pour les coupes en biseau. EFFECTUEZ TOUJOURS DES ESSAIS À VIDE (MACHINE ÉTEINTE) AVANT DE RÉALISER VOS DÉCOUPES, AFIN DE VÉRIFIER LE PARCOURS DE LA LAME.

ASSUREZ-VOUS QUE L'ATTACHE NE GÊNE PAS LE FONCTIONNEMENT DE LA SCIE OU CELUI DES CARTERS DE PROTECTION.

Remplacer une lame de scie ou installer une lame de scie neuve (Fig. I, J, K)

Avertissement ! Afin de réduire le risque de graves blessures, éteignez l'outil et débranchez-le de la source d'alimentation électrique avant de le déplacer, de changer les accessoires ou d'effectuer des réglages.

Avertissement ! N'appuyez jamais sur le bouton de verrouillage de l'axe (31) si la lame est sous tension ou en roue libre.

Avertissement ! Ne découpez pas de métaux ferreux (contenant du fer ou de l'acier), des matériaux de maçonnerie ou en fibrociment avec cette scie à onglet.

Retirer la lame

- ◆ Débranchez la scie.
- ◆ Relevez le bras jusqu'à sa position la plus haute et soulevez le carter de protection (14) aussi loin que possible.
- ◆ Dévissez sans retirer la vis du support du carter de protection (13c) afin de pouvoir suffisamment soulever le support pour atteindre la vis de la lame (13a). Le carter inférieur reste relevé grâce à la position de la vis de son support, comme illustré par la figure I.
- ◆ Appuyez sur le bouton de verrouillage de l'axe (31) tout en tournant prudemment la lame de scie à la main, jusqu'à ce que le système de verrouillage s'enclenche, comme illustré par la figure J.
- ◆ En gardant le bouton enfoncé, utilisez l'autre main et l'outil pour le changement de lame fourni (30) pour desserrer la vis de la lame (13a). (Tournez dans le sens de aiguilles d'une montre, filetage à gauche.)
- ◆ Retirez la vis de la lame (13a), la rondelle de la bride extérieure (13d), la lame (13) et l'adaptateur de lame (13e), le cas échéant. La rondelle de la bride intérieure (13f) peut être laissée sur l'axe.

Installer une lame

- ◆ Débranchez la scie.
- ◆ Bras relevé, carter de protection maintenu ouvert et support du carter de protection soulevé, placez la lame sur l'axe, sur l'adaptateur de lame et contre la bride intérieure de la lame, avec les dents au bas de la lame pointant vers l'arrière de la scie.
- ◆ Assemblez la rondelle de la bride extérieure sur l'axe.
- ◆ Installez la vis de la lame et, tout en actionnant le bouton de verrouillage de l'axe, serrez fermement la vis avec la clé fournie. (Tournez dans le sens inverse des aiguilles d'une montre, filetage à gauche.)

Régler l'angle d'onglet (Fig. L)

- ◆ Desserrez la poignée (9) en la tournant dans le sens inverse des aiguilles d'une montre.
- ◆ Utilisez le bouton de déverrouillage de l'onglet (32) pour déplacer le plateau rotatif (11) jusqu'à l'endroit où le pointeur (7) atteint l'angle voulu sur la graduation d'onglet (26), serrez ensuite la poignée dans le sens des aiguilles d'une montre.
- ◆ Le pied-support réglable (24) aide à garder l'équilibre de l'outil. Après chaque réglage de l'angle d'onglet, vous devez tourner le bouton sur le pied dans le sens des aiguilles d'une montre ou dans le sens inverse, jusqu'à ce que sa base repose sur l'établi. Deux positions sont possibles en fonction de la profondeur de votre établi.

Profondeur de coupe

Si vous souhaitez découper une rainure, vous pouvez régler la profondeur de coupe avec la vis de réglage de profondeur de coupe (29) ou la lame.

- ◆ Tournez la vis de profondeur de coupe (29) et fixez-la avec le contre-écrou.

Régler la garde

Avant de procéder à une coupe en biseau, assurez-vous qu'aucune pièce de l'outil ne touche la garde (12) quand vous abaissez ou soulevez la poignée complètement, quelle que soit sa position, ou quand vous tirez ou poussez le chariot tout du long à sa position la plus basse. Avant d'utiliser l'outil, assurez-vous que la garde coulissante est correctement fixée grâce la vis de verrouillage de la garde coulissante (35).

Avertissement ! Pour réaliser des coupes en biseau, glissez la garde coulissante vers la gauche et sécurisez-la. Elle touchera sinon la lame ou une pièce de l'outil, ce qui pourrait provoquer de graves blessures.

Cet outil est équipé d'une garde coulissante qui doit, en règle générale, être centrée. Cependant, pour les coupes en biseau, placez-la à gauche si la tête de l'outil est susceptible de la toucher. Une fois les coupes en biseau terminées, n'oubliez pas de replacer la garde coulissante à sa position d'origine et de la fixer en serrant fermement la vis de verrouillage de la garde coulissante (35).

Régler l'angle de biseau (Fig. M)

En inclinant le chariot vers la gauche, desserrez le levier (2) à l'arrière de l'outil dans le sens inverse des aiguilles d'une montre. Déverrouillez le bras en poussant la poignée assez fort dans un seul sens.

- ◆ Inclinez la lame de scie jusqu'à ce que le pointeur (25) indique l'angle voulu sur la graduation du biseau (27).
- ◆ Serrez le levier (2) dans le sens des aiguilles d'une montre pour fixer le bras.

Avertissement ! Pour incliner la lame de scie, assurez-vous de relever la poignée complètement. Après avoir modifié l'angle du biseau, fixez toujours le bras en serrant le levier dans le sens des aiguilles d'une montre.

Avertissement ! Pour incliner la lame de scie, gardez à l'esprit le poids de la tête et assurez-vous qu'elle ne bascule pas.

Action de l'interrupteur (Fig. N)

Attention ! Avant de brancher l'outil, contrôlez toujours que l'interrupteur à gâchette (19) fonctionne correctement et qu'il revient bien à la position d'arrêt quand il est relâché.

- ◆ Pour démarrer l'outil, déplacez le levier de sécurité (20) vers la droite à l'aide de votre index droit.
- ◆ Enfoncez l'interrupteur à gâchette (19).

- ◆ Pour arrêter l'outil, relâchez l'interrupteur à gâchette (19).

Avertissement ! N'utilisez jamais l'outil si son interrupteur à gâchette ne fonctionne pas parfaitement.

Un outil dont l'interrupteur ne fonctionne pas correctement est TRÈS DANGEREUX et il doit être réparé avant toute utilisation.

Utiliser le système d'éclairage de la ligne de coupe (Fig. N)

Remarque : La scie à onglet doit être branchée à une source d'alimentation électrique. Le circuit de l'éclairage de la ligne de coupe est équipé d'un interrupteur Marche/Arrêt (21). Le circuit de l'éclairage de la ligne de coupe est indépendant de l'interrupteur à gâchette de la scie à onglet.

Il n'est pas nécessaire que l'éclairage soit allumé pour utiliser la scie. Pour scier sur une ligne de crayon tracée sur un morceau de bois :

- ◆ Allumez l'éclairage de la ligne de coupe, abaissez ensuite la poignée de travail (18) et approchez la lame de la scie près du bois. L'ombre de la lame apparaît sur le bois.
- ◆ Alignez le trait de crayon avec le bord de l'ombre de la lame. Il se peut que vous deviez régler l'angle d'onglet ou de biseau pour qu'il corresponde exactement à la ligne de crayon.

Coupes transversales

Une coupe transversale est une coupe qui traverse le grain du bois à n'importe quel angle. Une coupe transversale droite est réalisée avec le bras d'onglet positionné à zéro degré. Réglez et verrouillez le bras d'onglet à zéro, maintenez fermement le bois sur le plateau et contre la garde. Après avoir serré le bouton de verrouillage du rail, allumez la scie en enfonçant l'interrupteur à gâchette (19).

Lorsque la scie atteint son plein régime (après env. 1 seconde), abaissez doucement et lentement le bras pour scier à travers le bois. Laissez la lame s'arrêter complètement avant de relever le bras. Lorsque vous sciez quelque pièce que ce soit dépassant 51 mm x 102 mm, utilisez un mouvement extérieur-bas-arrière alors que le bouton de verrouillage du rail est desserré. Tirez la scie vers l'extérieur, vers vous, abaissez la tête de scie vers la pièce et repoussez lentement la scie pour terminer la coupe. Ne laissez pas la lame de scie entrer en contact avec le haut de l'ouvrage lorsque vous la tirez. La scie pourrait se déplacer rapidement vers vous et vous blesser ou abîmer l'ouvrage.

Avertissement ! Utilisez toujours une fixation pour la pièce afin de garder le contrôle et de réduire le risque de blessures et d'endommagement de l'ouvrage.

Remarque : Le bouton de verrouillage du rail doit être desserré pour permettre à la scie de glisser le long de ses rails.

Les coupes transversales d'onglet sont effectuées avec le bras de l'onglet réglé à un angle autre que zéro. Cet angle est souvent de 45° pour couper des coins, mais il peut être défini à n'importe quelle valeur entre zéro et 47° à gauche ou 47° à droite. Procédez à la coupe, comme décrit ci-dessus.

Pour scier sur une ligne de crayon tracée sur un morceau de bois, faites correspondre l'angle au mieux. Sciez le bois un peu plus long et mesurez la distance entre la ligne de crayon et le bord de coupe pour déterminer dans quelle direction régler l'angle avant de recouper. Cela demande de la pratique mais il s'agit d'une technique couramment utilisée.

Position du corps et des mains (Fig. O1 – O4)

Le bon positionnement de votre corps et de vos mains quand vous utilisez la scie à onglet facilite et améliore la précision et la sécurité. Ne placez jamais vos mains près de la zone de coupe. Éloignez vos mains d'au moins 152 mm de la lame. Tenez fermement l'ouvrage contre le plateau et la garde pendant le sciage. Gardez vos mains en position tant que la gâchette n'a pas été relâchée et que la lame ne s'est pas complètement arrêtée. EFFECTUEZ TOUJOURS DES ESSAIS À VIDE (MACHINE ÉTEINTE) AVANT DE RÉALISER VOS COUPES FINALES AFIN DE VÉRIFIER LE PARCOURS DE LA LAME. NE CROISEZ PAS LES MAINS, COMME ILLUSTRÉ PAR LA FIGURE O3 et O4. Gardez vos deux pieds fermement ancrés au sol et conservez votre équilibre. Lorsque vous déplacez le bras d'onglet vers la gauche ou la droite, suivez-le et tenez-vous légèrement sur le côté de la lame de la scie. Regardez à travers les ajours du carter pour suivre une ligne tracée au crayon.

Régler le biseau perpendiculaire au plateau (Fig. P)

Pour régler la lame perpendiculaire au plateau, verrouillez le bras en position basse à l'aide de la goupille de verrouillage en position basse. Placez une équerre contre la lame en prenant soin que l'équerre ne repose pas sur les dents de la scie. Desserrez le bouton de verrouillage du biseau et assurez-vous que le bras est fermement appuyé contre le 0° de la butée du biseau. Tournez la vis de réglage du biseau à 0° avec une clé de 10 mm (non fournie) autant que nécessaire pour que la lame soit inclinée à 0° par rapport au plateau, tel que mesuré à l'aide de l'équerre.

Découpes d'encadrements, des coffrages et autres projets à quatre côtés (Fig. Q1, Q2)

Pour mieux comprendre la façon de réaliser les éléments listés ici, nous vous suggérons de faire des essais avec des projets simples et en utilisant du bois de chute, jusqu'à ce

que vous "ressentiez" correctement votre scie. Votre scie est l'outil parfait pour réaliser des coins à l'onglet, comme celui illustré par la figure Q1. Le schéma A de la figure Q2 illustre un assemblage réalisé en utilisant le réglage du biseau pour biseauter les bords de deux planches à 45° chacun, pour réaliser un coin à 90°. Pour cet assemblage, le bras de l'onglet est verrouillé en position zéro et le réglage du biseau est verrouillé à 45°. Le bois est positionné avec le large côté plat contre le plateau et le bord étroit contre la garde. La même coupe peut être réalisée par une coupe à onglet à droite et à gauche avec la surface large contre la garde.

Découpes de moulures d'ornement et d'autres cadres (Fig. Q2)

Le schéma B de la figure Q2 illustre un assemblage réalisé en réglant le bras d'onglet à 45° pour couper à l'onglet les deux planches afin de former un coin à 90°. Pour réaliser ce type d'assemblage, réglez le biseau sur zéro et le bras d'onglet sur 45°. Là encore, positionnez le bois avec le large côté plat contre le plateau et le bord étroit contre la garde. Les figures Q1 et Q2 ne concernent que les objets à quatre côtés. Lorsque le nombre de côtés change, les angles d'onglet et de biseau changent aussi.

Le tableau ci-dessous indique les angles appropriés en fonction des différentes formes.

Nombre de côtés	Angle Onglet ou Biseau
4	45°
5	36°
6	30°
7	25,7°
8	22,5°
9	20°
10	18°

Le tableau considère que tous les côtés sont de même longueur. Pour réaliser une forme qui n'apparaît pas dans le tableau, utilisez la formule suivante :

180° divisé par le nombre de côtés = l'angle d'onglet (si la pièce est sciée à la verticale) ou l'angle de biseau (si la pièce est sciée à plat).

Découpe à onglet combinée (Fig. Q3)

Une découpe à onglet combinée est une découpe utilisant un angle d'onglet et un angle de biseau en même temps. C'est le type de coupe utilisé pour fabriquer des cadres ou des boîtes dont les côtés sont inclinés, comme illustré par la Figure Q3.

Remarque : Si l'angle de coupe varie d'une coupe à l'autre, vérifiez que le bouton de verrouillage du biseau et la poignée de verrouillage de l'onglet sont bien serrés. Ces éléments

doivent être resserrés après chaque réglage d'onglet ou de biseau.

Découpes de moulures d'embase (Fig. R)

Coupes droites à 90° :

Placez le bois contre la garde et maintenez-le en place comme illustré par la figure R. Allumez la scie, laissez la lame atteindre sa pleine vitesse et abaissez le bras sans à-coups à travers la pièce.

Découpes de moulures d'embase jusqu'à 70 mm / 90 mm de haut à la verticale contre la garde

BES700 - 70 mm pour 216 mm

BES710 - 90 mm pour 254 mm

Placez la pièce comme illustré par la figure R. Toutes les découpes doivent être réalisées avec l'arrière de la moulure placée contre la garde et le bas de la moulure contre le plateau.

	Coin intérieur	Coin extérieur
Côté gauche	Onglet gauche 45° Côté gauche de la coupe conservé	Onglet droit 45° Côté gauche de la coupe conservé
Côté droit	Onglet droit 45° Côté droit de la coupe conservé	Onglet gauche 45° Côté droit de la coupe conservé

Les pièces jusqu'à 70 mm / 90mm peuvent être découpées comme indiqué ci-dessus.

BES700 - 70 mm pour 216 mm

BES710 - 90 mm pour 254 mm

Découpes de moulures en couronne

Afin de s'adapter correctement, les moulures en couronne doivent être découpées à l'onglet de façon combinée et avec une précision extrême. Les deux surfaces plates d'une pièce de moulure en couronne sont à des angles qui, en les additionnant, créent un angle exact à 90°. La plupart, mais pas toutes les moulures en couronne disposent d'un angle arrière supérieur (la section qui repose à plat contre le plafond) de 52° et un angle arrière inférieur (la partie qui repose à plat contre le mur) de 38°. Votre scie à onglet dispose de crans de réglage d'onglet prédéfinis à 31,6° à gauche et à droite pour découper des moulures en couronne au bon angle. Un repère est également présent à 33,9° sur la graduation du biseau. Le réglage/type de biseau du tableau Découpe indique les bons réglages pour la découpe de moulures en couronne. (Les éléments de réglage de l'onglet et du biseau sont très précis et ils ne sont pas faciles à régler sur votre scie). Les angles de la plupart des pièces n'étant pas exactement à 90°, il est de toute façon nécessaire d'affiner vos réglages.

Instructions pour la découpe de moulures en couronne reposant à plat, en utilisant les fonctions combinées

- ◆ Posez la moulure, large surface arrière à plat sur le plateau de la scie (Fig. S1).
- ◆ Les réglages ci-dessous concernent des moulures en couronne courantes à des angles de 52° et 38°.

Réglage du biseau	Type de coupe
33,9°	CÔTÉ GAUCHE, COIN INTÉRIEUR : 1. Haut de la moulure contre la garde 2. Réglage onglet droit 31,6° 3. Extrémité gauche de la coupe conservée
33,9°	CÔTÉ DROIT, COIN INTÉRIEUR : 1. Bas de la moulure contre la garde 2. Réglage onglet gauche 31,6° 3. Extrémité gauche de la coupe conservée
33,9°	CÔTÉ GAUCHE, COIN EXTÉRIEUR : 1. Bas de la moulure contre la garde 2. Réglage onglet gauche 31,6° 3. Extrémité droite de la coupe conservée
33,9°	CÔTÉ DROIT, COIN EXTÉRIEUR : 1. Haut de la moulure contre la garde 2. Réglage onglet droit 31,6° 3. Extrémité droite de la coupe conservée

Remarque : Lors du réglage des angles de biseau et d'onglet pour les coupes combinées, n'oubliez pas que les angles visibles des moulures en couronne sont très précis et difficiles à régler avec précision. Du fait qu'ils peuvent facilement se décaler légèrement et que très peu de pièces disposent d'angles à 90° très précis, tous les réglages doivent être testés sur des chutes.

Méthode alternative pour découper des moulures en couronne

Placez la moulure inclinée entre la garde (12) et le plateau de la scie (11), côté supérieur de la moulure sur le plateau et côté inférieur de la moulure sur la garde, comme illustré par la figure S2. L'avantage à procéder ainsi pour la découpe de moulures en couronne est qu'une coupe en biseau n'est pas nécessaire. Des modifications de dernières minutes peuvent être apportées à l'angle d'onglet sans affecter l'angle de biseau. De cette manière, si les coins sont à un autre angle que 90°, il est possible d'ajuster rapidement et facilement la scie en conséquence.

Instructions pour la découpe de moulures en couronne inclinées entre la garde et la base de la scie pour toutes les coupes

Cette scie peut découper des moulures en couronne emboîtées jusqu'à 14 mm x 92 mm.

- ◆ Orientez la moulure de sorte que le bas de cette dernière (la partie apposée contre le mur une fois installée) se trouve contre la garde (12) et que le haut de cette dernière repose sur le plateau de la scie (11), comme illustré par la figure S2.
- ◆ Les parties "plates" formant un angle à l'arrière de la moulure doivent bien reposer sur la garde et le plateau de la scie.

	Coin intérieur	Coin extérieur
Côté gauche	Onglet droit à 45° Côté droit de la coupe conservé	Onglet gauche à 45° Côté droit de la coupe conservé
Côté droit	Onglet gauche à 45° Côté gauche de la coupe conservé	Onglet droit à 45° Côté gauche de la coupe conservé

Découpes spéciales

N'effectuez jamais aucune découpe si la pièce n'est pas maintenue en place sur le plateau et contre la garde.

Pièces voilées (Fig. T1, T2)

Pour scier des pièces voilées/courbes, positionnez-les toujours comme illustré par la figure T1 et jamais comme illustré par la figure T2. Si vous ne positionnez pas la pièce à scier correctement, vous créez le risque de coincer la lame en fin de coupe.

Découpe de pièces rondes

Les pièces rondes doivent être fixées ou sanglées contre la garde pour les empêcher de rouler. Cela est extrêmement important pour les découpes à angle.

Découpes de grandes pièces (Fig. U)

De temps à autre, vous serez confronté à une pièce de bois légèrement trop grande pour passer sous le carter de protection inférieur. Pour dégager le carter au-dessus du bois, scie éteinte et avec votre main droite sur la poignée de travail, placez votre pouce droit à l'extérieur de la partie supérieure du carter et faites rouler le carter vers le haut juste suffisamment pour libérer le bois, comme illustré par la figure U. Relâchez le carter de protection avant de démarrer le moteur. Le mécanisme du carter pourra alors correctement fonctionner pendant la coupe. Ne procédez ainsi qu'en cas d'absolue nécessité. **N'ATTACHEZ, NE SCOTCHEZ ET NE RETENEZ JAMAIS LE CARTER DE PROTECTION EN POSITION OUVERTE LORSQUE VOUS UTILISEZ LA SCIE.**

Avvertissement ! Assurez-vous toujours que l'outil est éteint et débranché avant de le régler ou de contrôler son fonctionnement.

Après utilisation

- ◆ Après utilisation, supprimez les copeaux et la poussière restés sur l'outil à l'aide d'un chiffon.
- ◆ Veillez à garder le carter de lame propre, conformément aux directives présentées dans la section précédente.
- ◆ Lubrifiez les parties coulissantes à l'aide d'une huile pour machine, pour empêcher qu'elles ne rouillent.
- ◆ Pour ranger l'outil, tirez complètement le chariot vers vous.

Transporter l'outil

- ◆ Assurez-vous que l'outil est débranché.
- ◆ Fixez la lame à un angle de biseau de 0° et tournez la base complètement vers l'angle d'onglet droit en utilisant la vis de verrouillage de la barre coulissante (28).
- ◆ Sécurisez les barres coulissantes après avoir tiré complètement le chariot vers vous.
- ◆ Abaissez complètement la poignée et verrouillez-la en position en enfonçant la goupille de verrouillage de la tête de scie (17).
- ◆ Transportez l'outil par la poignée de transport (22).
- ◆ Si vous retirez la bride, le sac à poussière, etc., l'outil est plus facile à transporter.
- ◆ Transportez l'outil avec une main tenant la poignée de transport (22) et l'autre main soutenant la base de l'outil.

Attention ! Sécurisez toujours toutes les pièces mobiles avant de transporter l'outil. La goupille de verrouillage de la tête de scie (17) ne sert qu'au transport et au rangement de l'outil et en aucun cas pour les opérations de coupe.

Dépannage

Problème	Cause possible	Solution
Le moteur ne démarre pas	La scie n'est pas branchée.	Contrôlez que tous les câbles sont bien branchés.
L'angle de coupe est incorrect	Le plateau d'onglet est déverrouillé.	Utilisez le levier de verrouillage du plateau d'onglet (voir la section Régler l'angle d'onglet).
	Trop de poussière de sciage sous le plateau.	Aspirez ou soufflez la poussière. Portez une protection oculaire.
Le bras de coupe n'est pas complètement relevé ou le carter de lame n'est pas complètement fermé.	Pièces défectueuses.	Contactez le centre d'assistance.
	Le ressort de pivotement n'a pas été correctement remplacé après une opération d'entretien ou de révision.	Contactez le centre d'assistance.
	Accumulation de poussière de sciage.	Nettoyez et lubrifiez les pièces mobiles.
	La goupille de verrouillage de la tête de scie n'est pas correctement placée.	Contrôlez, ajustez et placez correctement la goupille de verrouillage de la tête de scie.

Problème	Cause possible	Solution
La lame se coince, se grippe ou tremble	Lame de scie endommagée.	Remplacez la lame.
	Lame émoussée.	Remplacez ou affûtez la lame.
	Lame non adaptée.	Remplacez la lame.
	Lame déformée.	Remplacez la lame.
La scie vibre ou tremble	Lame de scie endommagée.	Remplacez la lame.
	Lame de scie desserrée.	Serrez le boulon de l'axe.
	La scie n'est pas correctement fixée par sa base.	Fixez la scie sur l'établi, le support ou le plateau.
	L'ouvrage n'est pas correctement soutenu.	Veillez à correctement soutenir ou fixer l'ouvrage.

Protection de l'environnement



Tri sélectif. Les produits et batteries marqués de ce symbole ne doivent pas être jetés avec les déchets ménagers.

Les produits et batteries contiennent des matières qui peuvent être récupérées et recyclées afin de réduire la demande en matières premières. Veillez à recycler les produits électriques et les piles et batteries conformément aux prescriptions locales en vigueur. Pour plus d'informations, consultez le site www.2helpU.com.

Caractéristiques techniques

		BES700 Type 1	BES710 Type 1
Tension	V	230	230
Vitesse	/min	4800	5000
Diamètre extérieur de la lame	mm	216	254
Diamètre de l'alésage	mm	30	30
Poids	kg	12,1	14,9
Épaisseur de la lame	mm	1,8	1,8
Trait de scie maxi	mm	2,8	2,8
Onglet (positions maxi)	°	+/- 47	+/- 47
Biseau (positions maxi)	°	47	47
Capacité maxi coupe transversale à 90°	mm	305	305
Capacité maxi coupe d'onglet à 45°	mm	203	203
Profondeur de coupe maxi à 90°	mm	70	90
Profondeur de coupe maxi à 45°	mm	35	40

BES700 - Niveau de pression sonore selon la norme EN 62841 :

L_{pA} (pression sonore) 97,7 dB(A), Incertitude (K) 3 dB(A)

L_{WA} (puissance sonore) 108,0 dB(A), Incertitude (K) 3 dB(A)

BES710 - Niveau de pression sonore selon la norme EN 62841 :

L_{pA} (pression sonore) 96,0 dB(A), Incertitude (K) 3 dB(A)

L_{WA} (puissance sonore) 107,5 dB(A), Incertitude (K) 3 dB(A)

Déclaration de conformité CE

DIRECTIVES MACHINES



BES700, BES710 Scie à onglet coulissante combinée

Black & Decker déclare que les produits décrits dans les "Caractéristiques techniques" sont conformes aux normes : EN62841-1:2015, EN62841-3-9:2015+A11:2017

Ces produits sont également conformes aux Directives 2006/42/CE, 2014/30/CE et 2011/65/UE.

Pour plus de détails, veuillez contacter Black & Decker à l'adresse suivante ou consultez la dernière page du manuel.

Le soussigné est responsable de la compilation des données de la fiche technique et fait cette déclaration au nom de Black & Decker.

A. P. Smith
Directeur technique
Black & Decker Europe, 210 Bath Road, Slough,
Berkshire, SL1 3YD
Royaume-Uni
01/03/2019

Garantie

Black & Decker est sûr de la qualité de ses produits et offre une garantie de 24 mois aux utilisateurs, à partir de la date d'achat. Cette garantie s'ajoute à vos droits légaux auxquels elle ne porte aucunement préjudice. Cette garantie est valable au sein des territoires des États membres de l'Union Européenne et au sein de la Zone européenne de libre-échange.

Pour prétendre à la garantie, la réclamation doit être conforme aux conditions générales de Black & Decker et vous devez fournir une preuve d'achat au vendeur ou au réparateur agréé. Les conditions générales de la garantie de 2 ans Black & Decker ainsi que l'adresse du réparateur agréé le plus proche sont disponibles sur le site Internet www.2helpU.com ou en contactant votre agence Black & Decker locale à l'adresse indiquée dans ce manuel.

Veuillez consulter notre site Internet www.blackanddecker.co.uk pour enregistrer votre nouveau produit BLACK+DECKER et pour être tenu informé des nouveaux produits et offres spéciales.

Usò previsto

La troncatrice radiale scorrevole BLACK+DECKER BES700, BES710 è stata progettata per segare solo legno, plastica e metalli non ferrosi. Questo utensile è stato progettato per utenti non professionisti.

Istruzioni di sicurezza

Avvertenze di sicurezza generali per gli elettrodomestici



Avvertenza! Leggere attentamente tutte le avvertenze, istruzioni, illustrazioni e specifiche fornite con l'elettrodomestico. La mancata osservanza delle avvertenze e istruzioni elencate di seguito potrebbe dar luogo a scosse elettriche, incendi e/o lesioni gravi alle persone. **Conservare tutte le avvertenze e le istruzioni per consultazioni successive.** Il termine "elettrodomestico" che ricorre in tutte le avvertenze seguenti si riferisce ad utensili elettrici con o senza filo.

1. Sicurezza nell'area di lavoro

- Mantenere pulita e bene illuminata l'area di lavoro.** Gli ambienti disordinati o scarsamente illuminati favoriscono gli incidenti.
- Evitare di usare gli elettrodomestici in ambienti esposti a rischio di esplosione, ad esempio in presenza di liquidi, gas o polveri infiammabili.** Gli elettrodomestici generano scintille che possono incendiare le polveri o i fumi.
- Tenere lontani bambini e altre persone presenti mentre si usa un elettrodomestico.** Eventuali distrazioni possono provocare la perdita di controllo dello stesso.

2. Sicurezza elettrica

- Le spine elettriche degli elettrodomestici devono essere adatte alla presa di corrente. Non modificare la spina in alcun modo. Non utilizzare spine con adattatore con gli elettrodomestici dotati di messa a terra.** Per ridurre il rischio di scosse elettriche evitare di modificare le spine e utilizzare sempre le prese di corrente appropriate.
- Evitare il contatto fisico con superfici collegate a terra, come tubi, radiatori, forni e frigoriferi.** Se il corpo dell'utilizzatore è collegato a terra, il rischio di scosse elettriche aumenta.
- Non esporre gli elettrodomestici alla pioggia o all'umidità.** Se penetra dell'acqua all'interno dell'elettrodomestico, il rischio di scossa elettrica aumenta.
- Non utilizzare il cavo di alimentazione in modo improprio. Non utilizzare mai il cavo per spostare, tirare o scollegare l'elettrodomestico. Tenere il cavo di alimentazione lontano da fonti di calore, olio, bordi taglienti o parti in movimento.** Se il cavo di

alimentazione è danneggiato o impigliato, il rischio di scosse elettriche aumenta.

- e. **Se l'elettrotensile viene utilizzato all'aperto, usare esclusivamente prolunghe omologate per l'impiego all'esterno.** L'uso di un cavo di alimentazione adatto per esterni riduce il rischio di scossa elettrica.
 - f. **Se non è possibile evitare di lavorare in una zona umida, collegarsi a una rete elettrica protetta da un interruttore differenziale (RCD).** L'uso di un dispositivo a corrente residua riduce il rischio di scossa elettrica.
3. **Sicurezza delle persone**
 - a. **È importante concentrarsi su ciò che si sta facendo e maneggiare con giudizio l'elettrotensile. Non utilizzare un elettrotensile quando si è stanchi o sotto l'effetto di sostanze stupefacenti, alcool o medicinali.** Un solo attimo di distrazione durante l'uso dell'elettrotensile potrebbe provocare gravi lesioni personali.
 - b. **Usare dispositivi di protezione individuale. Indossare sempre dispositivi di protezione per gli occhi.** L'uso di dispositivi di protezione, quali mascherine antipolvere, scarpe antinfortunistiche antiscivolo, elmetti o protezioni auricolari in condizioni opportune consente di ridurre le lesioni personali.
 - c. **Impedire l'avviamento involontario. Accertarsi che l'interruttore di accensione/spengimento sia nella posizione di spegnimento, prima di collegare l'elettrotensile alla rete elettrica e/o alla batteria, di prenderlo in mano o di trasportarlo.** Per non esporsi al rischio di incidenti, non trasportare l'elettrotensile tenendo le dita sull'interruttore di accensione/spengimento e non collegarlo a una fonte di alimentazione elettrica con l'interruttore in posizione di accensione.
 - d. **Prima di accendere un elettrotensile, rimuovere gli eventuali utensili o chiavi di regolazione.** Un utensile di regolazione o una chiave inseriti in una parte rotante dell'elettrotensile può provocare lesioni alle persone.
 - e. **Non sbilanciarsi. Mantenere sempre un appoggio e un equilibrio adeguati.** In tal modo è possibile controllare meglio l'elettrotensile nelle situazioni impreviste.
 - f. **Vestirsi in maniera opportuna. Non indossare abiti lenti o gioielli. Tenere i capelli e gli indumenti lontano dalle parti mobili.** Indumenti larghi, gioielli o capelli lunghi possono impigliarsi nelle parti in movimento.
 - g. **Se gli elettrotensili sono provvisti di attacchi per il collegamento di dispositivi di aspirazione o di raccolta delle polveri, assicurarsi che questi ultimi siano installati e utilizzati correttamente.** L'impiego di dispositivi per la raccolta delle polveri può ridurre i pericoli associati a queste ultime.
 - h. **Non lasciare che la familiarità acquisita dall'uso frequente degli utensili induca a cedere alla tentazione**

di ignorare i principi di utilizzo sicuro degli stessi.

Un'azione imprudente potrebbe provocare lesioni gravi in una frazione di secondo.

4. **Uso e cura dell'elettrotensile**

- a. **Non sovraccaricare l'elettrotensile. Utilizzare l'elettrotensile adatto per il lavoro da eseguire.** L'elettrotensile corretto funziona meglio e in modo più sicuro se viene utilizzato alla velocità per cui è stato progettato.
 - b. **Non utilizzare l'elettrotensile se l'interruttore di accensione/spengimento è difettoso.** Qualsiasi elettrotensile che non possa essere controllato tramite l'interruttore è pericoloso e deve essere riparato.
 - c. **Scollare la spina dalla presa di corrente e/o la batteria dall'elettrotensile prima di regolarlo, sostituirne gli accessori o riporlo in magazzino.** Queste misure di sicurezza preventive riducono il rischio di azionare accidentalmente l'elettrotensile.
 - d. **Quando non vengono usati, gli elettrotensili devono essere custoditi fuori dalla portata dei bambini. Non consentire l'uso dell'elettrotensile a persone inesperte o che non abbiano letto le presenti istruzioni d'uso.** Gli elettrotensili sono pericolosi in mano a persone inesperte.
 - e. **Sottoporre gli elettrotensili e gli accessori a regolare manutenzione. Verificare che le parti mobili siano correttamente allineate e non inceppate, che non vi siano componenti rotti e che non sussistano altre condizioni che possono compromettere il funzionamento dell'elettrotensile. Se danneggiato, fare riparare l'elettrotensile prima dell'uso.** Molti incidenti sono provocati da elettrotensili non sottoposti a corretta manutenzione.
 - f. **Mantenere affilati e puliti gli utensili da taglio.** La manutenzione corretta degli utensili da taglio con bordi affilati riduce le probabilità di inceppamento e ne facilita il controllo.
 - g. **Utilizzare l'elettrotensile, gli accessori, le punte, ecc. in conformità alle presenti istruzioni, tenendo conto delle condizioni operative e del lavoro da eseguire.** L'utilizzo dell'elettrotensile per impieghi diversi da quelli previsti può dare luogo a situazioni di pericolo.
 - h. **Mantenere le impugnature e le superfici di presa asciutte, pulite e senza tracce di olio o grasso.** Impugnature e superfici di presa scivolose e unte non consentono di maneggiare e controllare in modo sicuro l'elettrotensile nel caso di imprevisti.
5. **Assistenza**
 - a. **Fare riparare l'elettrotensile esclusivamente da personale qualificato, utilizzando solo pezzi di**

ricambio originali. In questo modo sarà possibile mantenere la sicurezza dell'elettrotensile.

Istruzioni di sicurezza per troncatrici

- ◆ **Le troncatrici sono concepite per tagliare legno o prodotti simili al legno, non possono essere utilizzate con mole abrasive per tagliare materiali ferrosi come barre, bielle, montanti, ecc.** La polvere abrasiva causa l'inceppamento di parti mobili come la protezione inferiore. Le scintille generate dal taglio abrasivo bruceranno la protezione inferiore, l'inserito di taglio e altre parti in plastica.
- ◆ **Utilizzare morsetti per sostenere il pezzo da lavorare ove possibile. Se si sostiene il pezzo con le mani, è necessario tenere sempre la mano ad almeno 100 mm di distanza da entrambi i lati della lama. Non usare questa sega per tagliare pezzi troppo piccoli per essere serrati saldamente o tenuti a mano.** Se la mano è posizionata troppo vicino alla lama della sega, aumenta il rischio di lesioni dovute al contatto con la lama.
- ◆ **Il pezzo deve essere fermo e bloccato o tenuto contro il guidapezzo e il banco. Non far avanzare il pezzo nella lama o tagliare "a mano libera" in alcun modo.** Pezzi non fissati o in movimento potrebbero essere scagliati a velocità elevate, provocando lesioni.
- ◆ **Spingere la sega attraverso il pezzo. Non tirare la lama della sega nel pezzo. Per eseguire un taglio, sollevare la testa della sega ed estrarla sul pezzo senza tagliare, avviare il motore, premere la testa della sega e spingere la sega attraverso il pezzo.** Il taglio sulla corsa di trazione può far sì che la lama della sega monti sulla parte superiore del pezzo e scagli violentemente il gruppo lama verso l'operatore.
- ◆ **Non incrociare mai la mano sulla linea di taglio prevista davanti o dietro la lama della sega.** Sostenere il pezzo da lavorare "a mani incrociate", ovvero tenere il pezzo a destra della lama della sega con la mano sinistra o viceversa è molto pericoloso.
- ◆ **Non avvicinare il guidapezzo alle mani a una distanza inferiore a 100 mm da entrambi i lati della lama della sega per rimuovere trucioli di legno o per qualsiasi altro motivo mentre la lama gira.** La vicinanza della lama della sega rotante alla tua mano potrebbe non essere ovvia e potrebbe causare lesioni gravi.
- ◆ **Ispezionare il pezzo prima di tagliare. Se il pezzo da lavorare è piegato o deformato, fissarlo con la parte piegata anteriore rivolta verso il guidapezzo.** Assicurarsi sempre che non vi sia spazio tra il pezzo, il guidapezzo e il banco lungo la linea di taglio. I pezzi piegati o deformati possono ruotare o spostarsi e causare il grippaggio della lama della sega durante il taglio. Non ci dovrebbero essere chiodi o oggetti estranei nel pezzo.
- ◆ **Non utilizzare la sega finché il banco non è sgombro da tutti gli utensili, trucioli di legno, ecc., ad eccezione del pezzo in lavorazione.** Piccoli detriti o pezzi di legno sfusi o altri oggetti che entrano in contatto con la lama girevole possono essere scagliati ad alta velocità.
- ◆ **Tagliare un solo pezzo alla volta.** Più pezzi impilati non possono essere adeguatamente fissati o fermati e possono incepparsi alla lama o spostarsi durante il taglio.
- ◆ **Assicurarsi che la troncatrice sia montata o posizionata su una superficie piana e solida prima dell'uso.** Una superficie di lavoro piana e solida riduce il rischio che la troncatrice perda stabilità.
- ◆ **Pianificare il lavoro. Ogni volta che si modifica l'impostazione di taglio inclinato o obliquo, assicurarsi che il guidapezzo regolabile sia impostato correttamente per supportare il pezzo e non interferisca con la lama o il sistema di protezione.** Senza accendere l'utensile e senza alcun pezzo sul banco, spostare la lama attraverso un taglio simulato completo per assicurarsi che non vi siano interferenze e non sussista il pericolo di tagliare il guidapezzo.
- ◆ **Fornire supporto adeguato come prolunghe per banchi, cavalletti, ecc. per un pezzo più largo o più lungo del piano del banco.** I pezzi più lunghi o più larghi rispetto al piano della troncatrice possono ribaltarsi se non supportati in modo sicuro. Se il pezzo tagliato o le punte del pezzo si ribaltano possono sollevare la protezione inferiore o essere scagliati dalla lama rotante.
- ◆ **Non utilizzare un'altra persona come alternativa a una prolunga per banco o come supporto aggiuntivo.** Il supporto instabile del pezzo può causare il grippaggio della lama o lo spostamento del pezzo durante l'operazione di taglio trascinando l'operatore e il suo aiutante nella lama rotante.
- ◆ **Il pezzo tagliato non deve essere inceppato o premuto in alcun modo contro la lama della sega rotante.** Se confinato, cioè utilizzando arresti di lunghezza, il pezzo tagliato potrebbe rimanere incastrato contro la lama e scagliato violentemente.
- ◆ **Utilizzare sempre un morsetto o un dispositivo di fissaggio progettato per supportare correttamente materiale tondo come barre o tubi.** Le barre tendono a rotolare mentre vengono tagliate, causando la "morsa" della lama e tirando il lavoro con la mano nella lama.
- ◆ **Lasciare che la lama raggiunga la massima velocità prima di entrare a contatto con il pezzo.** Ciò ridurrà il rischio che il pezzo venga scagliato.
- ◆ **Se il pezzo o la lama si inceppa, spegnere la troncatrice. Attendere che tutte le parti in movimento si fermino e scollegare la spina dalla fonte di alimentazione e/o rimuovere la batteria. Quindi intervenire per liberare il materiale inceppato.** Il taglio

continuo con un pezzo inceppato potrebbe causare la perdita di controllo o danni alla troncatrice.

- ◆ **Dopo aver terminato il taglio, rilasciare l'interruttore, tenere la testa della sega in basso e attendere che la lama si fermi prima di rimuovere il pezzo tagliato.** Avvicinare la mano alla lama in movimento è pericoloso.

Istruzioni di sicurezza aggiuntive per troncatrici

- ◆ **Tenere saldamente l'impugnatura quando si effettua un taglio incompleto o quando si rilascia l'interruttore prima che la testa della sega sia completamente abbassata.** L'azione frenante della troncatrice può provocare la discesa improvvisa della testa della sega, con il rischio di lesioni.
- ◆ L'uso previsto è indicato nel presente manuale di istruzioni. Se questo elettroutensile viene usato con accessori o per usi diversi da quelli raccomandati nel presente manuale, si potrebbero verificare lesioni a persone e/o danni alle cose.
- ◆ Non usare lame incrinare/piegate/danneggiate/deformate.
- ◆ Sostituire la tavola da taglio ove usurata.
- ◆ Non utilizzare lame di diametro maggiore o minore di quello consigliato. Fare riferimento ai dati tecnici per le corrette capacità di taglio. Utilizzare soltanto le lame specificate in questo manuale, conformi alla norma EN 847-1.
- ◆ Non usare lame in acciaio superapido (HSS).



Avvertenza! Il contatto o l'inalazione della polvere generata dalla segatura potrebbe nuocere alla salute dell'operatore e di eventuali astanti. Indossare una mascherina antipolvere specifica per polveri e fumi e accertarsi che anche le persone presenti nell'area di lavoro o che vi entrano siano adeguatamente protette.

- ◆ Non lavorare con materiali contenenti amianto. L'amianto è considerato essere cancerogeno.
- ◆ Indossare guanti quando si maneggiano lame e materiali ruvidi (le lame dovrebbero essere trasportate in un porta lame se del tutto possibile).
- ◆ Indossare protezioni alle orecchie per ridurre il rischio di perdita indotta dell'udito.
- ◆ Valutare la possibilità di usare le lame silenziate appositamente progettate.
- ◆ Indossare protezioni per gli occhi per ridurre il rischio di lesioni.
- ◆ Usare il sacchetto di raccolta della polvere fornito quando si sega il legno.
- ◆ **Sostenere l'apparato con supporti aventi superfici isolanti quando si eseguono lavorazioni in cui la parte tagliente potrebbe toccare cavi elettrici nascosti o il cavo di alimentazione dell'accessorio di taglio.**

Se un accessorio di taglio dovesse venire a contatto con un cavo sotto tensione trasmetterebbe la corrente elettrica anche alle parti metalliche esposte dell'elettroutensile, con il pericolo di provocare la folgorazione dell'utilizzatore

- ◆ Selezionare la lama corretta per il materiale da tagliare.
- ◆ Non usare la macchina senza aver montato la protezione. Non far funzionare la macchina se la protezione non funziona e se non è stata sottoposta a regolare manutenzione.
- ◆ Prima di effettuare tagli inclinati, accertarsi che il braccio sia saldamente fissato.
- ◆ Prima di ogni taglio, assicurarsi che la macchina sia stabile.
- ◆ Mantenere le impugnature pulite e prive di tracce di olio o grassi.
- ◆ Mantenere la zona circostante la macchina pulita e priva di materiali sciolti tipo trucioli o materiali di scarto.
- ◆ Accertarsi che la macchina e la zona di lavoro abbiano un'adeguata illuminazione sia generale, sia locale.
- ◆ Non permettere a personale non qualificato di far funzionare questa macchina.
- ◆ Verificare che la lama sia stata montata correttamente prima dell'impiego. Verificare che la lama ruoti nella direzione corretta. Mantenere la lama affilata. Seguire le istruzioni relative alla lubrificazione e alla sostituzione degli accessori.
- ◆ Assicurarsi che la velocità contrassegnata sulla lama sia almeno pari alla velocità indicata sulla lama.
- ◆ Accertarsi che i distanziali e gli anelli del mandrino utilizzati siano adatti allo scopo indicato da BLACK+DECKER.
- ◆ Le riparazioni del sistema di guida della linea di taglio devono essere eseguite esclusivamente da tecnici autorizzati o dall'assistenza BLACK+DECKER.
- ◆ Prima di eseguire operazioni di manutenzione o durante la sostituzione della lama, scollegare la macchina.
- ◆ Non eseguire mai interventi di pulitura, manutenzione e non asportare materiale di scarto o altre parti del pezzo dalla zona di taglio mentre la macchina è accesa e la testa della troncatrice non si trova nella posizione di riposo.
- ◆ Se possibile, montare sempre la macchina su un banco.
- ◆ Verificare che tutti i pomelli di bloccaggio e le maniglie siano ben saldi prima di iniziare qualsiasi operazione di taglio.
- ◆ Non usare mai la troncatrice senza l'insero della tavola.
- ◆ Non cercare mai di arrestare in maniera rapida la macchina in moto, incastrandolo un utensile o qualsiasi altro oggetto contro la lama dato che facendolo si possono causare involontariamente incidenti gravi.
- ◆ Prima di usare o di montare un qualsiasi accessorio, consultare il manuale d'uso. L'uso non corretto di un accessorio può causare danni.

- ◆ Sollevare la lama dall'inserito della tavola nel pezzo prima di rilasciare l'interruttore di accensione.
- ◆ Non incuneare oggetti contro il ventilatore per bloccare l'albero motore.
- ◆ La protezione della lama si solleva automaticamente quando il braccio viene abbassato e si abbassa sopra la lama quando il braccio viene sollevato. La protezione può essere sollevata manualmente durante l'installazione o rimozione delle lame o per l'ispezione della sega. Non sollevare mai manualmente la protezione se la macchina non è spenta.
- ◆ Controllare a intervalli regolari che le aperture di ventilazione del motore siano pulite e prive di schegge.
- ◆ Non rendere mai illeggibili gli avvisi di pericolo sull'elettrotensile.
- ◆ Non stare mai in piedi sull'elettrotensile. Si potrebbero causare o subire lesioni gravi se l'elettrotensile si capovolge oppure se si viene a contatto della lama.
- ◆ Non afferrare la lama dopo un periodo di funzionamento prima che si sia raffreddata. La lama diventa molto calda quando è in funzione.
- ◆ Per evitare lesioni causate dal lancio di materiali, scollegare la troncatrice dalla presa di corrente per impedire l'avviamento accidentale e quindi eliminare tutti i materiali di piccole dimensioni.
- ◆ Prima dell'impiego e dopo ogni intervento di manutenzione, controllare la protezione della lama per accertarsi che funzioni in modo corretto. Questo controllo deve essere eseguito con la troncatrice spenta e scollegata dalla presa di corrente. Il braccio deve essere sollevato e abbassato per verificare che la protezione copra la lama e che la lama non venga a contatto della protezione. Se la protezione non funziona in modo corretto, far riparare l'elettrotensile da un tecnico specializzato. Telefonare al centro assistenza BLACK+DECKER per ottenere l'indirizzo del tecnico autorizzato più vicino.
- ◆ **Questa troncatrice radiale è stata progettata per segare solo legno, plastica e metalli non ferrosi.** Non utilizzare la troncatrice per tagliare materiali diversi da quelli indicati dal produttore.
- ◆ Non afferrare la lama dopo un periodo di funzionamento e prima che si sia raffreddata. La lama diventa molto calda quando è in funzione.



Avvertenza! Il taglio di plastica, legno ricoperto di resina e altri materiali può causare l'accumulo del materiale sciolto sulle punte della lama e sul corpo della lama della sega, aumentando il rischio di surriscaldamento e inceppamento della lama durante il taglio.

Rischi residui

I seguenti rischi sono inerenti all'uso delle troncatrici: Malgrado il rispetto delle norme di sicurezza pertinenti e l'implementazione di dispositivi di sicurezza, alcuni rischi residui non possono essere evitati. Sono inclusi:

- ◆ lesioni causate o subite a seguito del contatto con parti rotanti/in movimento.
- ◆ menomazioni uditive;
- ◆ Rischio di incidenti causati dalle parti non coperte della lama rotante.
- ◆ Rischio di lesioni causate o subite durante la sostituzione di parti, lame o accessori.
- ◆ Rischio di schiacciamento delle dita nell'apertura delle protezioni.
- ◆ Pericoli per la salute causati dall'inalazione della polvere generata dal taglio del legno, in modo particolare quello di quercia e di faggio, e dell'MDF.
- ◆ lesioni causate dall'impiego prolungato di un apparecchio; (quando si utilizza qualsiasi apparecchio per lunghi periodi, accertarsi di fare regolarmente delle pause);

Rumorosità

I valori di emissione acustica dichiarati sono stati misurati attenendosi a un metodo di prova standard e possono essere usati come termine di paragone tra due utensili.

I valori di emissione acustica dichiarati possono essere usati anche come valutazione preliminare dell'esposizione al rumore.

Avvertenza! Il valore delle emissioni acustiche durante l'impiego effettivo dell'elettrotensile può variare da quello dichiarato in base alle modalità d'uso e, in modo particolare, al tipo di pezzo in lavorazione.

Avvertenza! Indossare sempre protezioni acustiche.

In determinate condizioni di utilizzo prolungato, il rumore proveniente da questo prodotto potrebbe contribuire alla perdita dell'udito. Tenere in considerazione i seguenti fattori che influiscono sull'esposizione al rumore:

- ◆ utilizzare lame progettate per ridurre le emissioni acustiche;
- ◆ utilizzare solo lame ben affilate; e
- ◆ utilizzare lame specificamente progettate per ridurre il rumore.

Etichette sull'elettrotensile

Sull'elettrotensile compaiono i seguenti pittogrammi:



Avvertenza! Per ridurre il rischio di lesioni alle persone, l'utilizzatore deve leggere il manuale d'istruzioni.



Indossare occhiali di sicurezza



Utilizzare protezioni acustiche



Indossare una maschera anti-polvere



Il presente prodotto non deve essere usato da bambini di età inferiore ai 16 anni



Tenere le mani lontane dalla lama



Attenzione alle mani - Tenere dita e braccia lontane dalle lame



Indossare guanti quando si maneggiano le lame



Non fissare la spia di funzionamento



Non esporre alla pioggia.



Scollegare la spina dalla presa di corrente se il cavo di alimentazione ha subito danni o è attorcigliato.

Sicurezza elettrica



Il doppio isolamento di cui è provvisto l'elettro-utensile rende superfluo il filo di terra. Assicurarsi che la tensione della rete di alimentazione corrisponda al valore indicato sulla targhetta dei valori nominali.

- ◆ Per prevenire pericoli, i cavi di alimentazione danneggiati devono essere sostituiti dal fabbricante o da un centro di assistenza BLACK+DECKER.

Caduta di tensione

Le correnti di punta causano brevi cadute di tensione. Se le condizioni in cui l'alimentazione elettrica è erogata sono sfavorevoli, ciò potrebbe influire su altre attrezzature. Se l'impedenza massima dell'alimentazione di rete è inferiore a 0,178 Ω, è improbabile che si verifichino dei disturbi.

Utilizzo di un cavo di prolunga

Usare sempre un cavo di prolunga di tipo omologato, idoneo all'assorbimento di corrente di questo elettro-utensile (vedere i Dati tecnici). Prima dell'uso, ispezionare il cavo di prolunga per accertarsi che non presenti segni di danneggiamento, usura o invecchiamento. Sostituire il cavo di prolunga se è danneggiato o difettoso. Se si utilizza un avvolgitore, estrarre

il cavo per l'intera lunghezza. L'utilizzo di un cavo di prolunga non idoneo alla potenza nominale dell'elettro-utensile, oppure danneggiato o difettoso, può essere causa di incendio e scosse elettriche.

Caratteristiche

Questo utensile presenta alcune o tutte le seguenti caratteristiche.

1. Barre di scorrimento
2. Manopola di bloccaggio taglio obliquo
3. Supporto
4. Morsetto pezzo
5. Guida della prolunga per banco
6. Fori dei bulloni
7. Indicatore dell'angolo di quartabuono
8. Insetto della tavola
9. Pomello di bloccaggio per tagli a quartabuono
10. Piastra di base
11. Tavola rotante
12. Guida posteriore
13. Lama
14. Riparo lama
15. Piastra di montaggio della protezione di sicurezza
16. Alloggiamento motore
17. Perno di bloccaggio della testa della sega
18. Impugnatura principale
19. Grilletto di azionamento
20. Leva di rilascio di sicurezza
21. Pulsante di accensione/spegnimento della spia della linea di taglio
22. Impugnatura di trasporto
23. Sacchetto raccogli-polvere
24. Piedino di supporto regolabile
25. Indicatore dell'angolo di taglio inclinato
26. Scala dell'angolo di quartabuono
27. Scala dell'angolo di taglio inclinato
28. Vite di bloccaggio della barra di scorrimento
29. Profondità della vite di taglio
30. Utensile di sostituzione della lama
31. Blocco dell'alberino
32. Rilascio del blocco taglio inclinato
33. Vite di bloccaggio della guida della prolunga
34. Vite di bloccaggio del morsetto
35. Vite di bloccaggio della guida laterale
36. Avvolgitore

Assemblaggio

La troncatrice è parzialmente assemblata nella scatola.

- ◆ Aprire la confezione ed estrarre la troncatrice.
- ◆ Collocare la troncatrice su una superficie piana e uniforme, ad esempio un banco da lavoro o un tavolo robusto.

- ◆ Esaminare lo Schema di montaggio a pagina 2 di questo manuale per familiarizzare con la sega e le sue varie parti. La sezione sulle regolazioni farà riferimento a questi termini ed è necessario sapere quali sono e dove si trovano le parti.
- ◆ Quando l'utensile viene spedito, l'impugnatura viene bloccata nella posizione abbassata dal perno di bloccaggio della testa della sega (17). Tirare il perno di bloccaggio della testa della sega (17) e ruotarlo di 90°, in senso orario o antiorario come illustrato in figura A.
- ◆ Il pomello di bloccaggio per tagli a quartabuono (9) non è assemblato per la spedizione. Rimuovere il pomello di bloccaggio per tagli a quartabuono (9) dalla confezione e avvitarlo sulla sega, vedere la figura B per la posizione.

Guida della prolunga per banco (Fig. C & D)

La troncatrice è dotata di 2 guide di prolunga per banco (5) per sostenere pezzi sporgenti lunghi.

- ◆ Tirare la guida di prolunga per banco (5) alla lunghezza desiderata per il pezzo come mostrato nella figura C.
- ◆ Fissare in posizione stringendo le vite di bloccaggio della guida di prolunga (33), come mostrato nella figura D.
- ◆ Ripetere il processo dal lato opposto.

Supporto - solo BES710 (Fig. E)

La troncatrice BES710 viene fornita con 1 supporto (3), situato nella parte posteriore dell'unità, per migliorare la stabilità.

Montaggio su banco (Fig. F)

La troncatrice può essere imbullonata con quattro bulloni (6a) (non forniti) su una superficie piana e stabile utilizzando i fori dei bulloni (6) presenti nella base degli utensili. Questo aiuterà a prevenirne il ribaltamento e possibili lesioni.

Aspirazione polveri (Fig. G)

L'uso del sacchetto raccogli-polvere (23) rende le operazioni di taglio pulite e facilita l'aspirazione della polvere.

- ◆ Per fissare il sacchetto raccogli-polvere (23), inserirlo sull'ugello della polvere (23a).
- ◆ Quando il sacchetto raccogli-polvere (23) è quasi mezzo pieno, rimuoverlo dall'utensile.
- ◆ Svuotare il sacchetto raccogli-polvere del suo contenuto, picchiandolo leggermente in modo da rimuovere le particelle che aderiscono all'interno e che potrebbero ostacolare l'ulteriore aspirazione.

Nota: se si collega un aspirapolvere per officina alla sega, è possibile eseguire operazioni più efficienti e più pulite.

Per inserire il morsetto del pezzo (Fig. H)

- ◆ Inserire il morsetto (4) nel foro (4c) dietro la guida. Il morsetto deve essere rivolto verso il retro della troncatrice. La scanalatura sull'asta del morsetto deve essere completamente inserita nella base. Assicurarsi che

questa scanalatura sia completamente inserita nella base della troncatrice. Se la scanalatura è visibile, il morsetto non sarà fermo.

- ◆ Ruotare il morsetto di 180° verso il davanti della troncatrice.
- ◆ Allentare la manopola (4b) per regolare il morsetto in su o in giù, quindi utilizzare la manopola di regolazione fine (4a) per serrare saldamente il pezzo da lavorare.

Nota: Posizionare il morsetto sul lato opposto della base durante il taglio obliquo. **PRIMA DEI TAGLI DI FINITURA, EFFETTUARE SEMPRE ALCUNE CORSE IN ASSENZA DI ALIMENTAZIONE DI POTENZA IN MODO DA CONTROLLARE IL PERCORSO DELLA LAMA. ASSICURARSI CHE IL MORSETTO NON INTERFERISCA CON L'AZIONE DELLA TRONCATRICE O DELLE PROTEZIONI.**

Sostituzione o montaggio di una nuova lama (Fig. I, J, K)

Avvertenza! Per ridurre il rischio di lesioni personali gravi, spegnere l'apparato e scollegarlo dall'alimentazione prima di tentare di spostarlo, di sostituire gli accessori o di effettuare qualsiasi regolazione.

Avvertenza! Non premere mai il pulsante di blocco dell'alberino (31) mentre la lama è sotto tensione o in movimento.

Avvertenza! Non tagliare il metallo ferroso (contenente ferro o acciaio) o i prodotti in muratura o retrocemento con questa troncatrice.

Rimozione della lama

- ◆ Scollegare la troncatrice.
- ◆ Sollevare il braccio alla posizione superiore e sollevare la protezione (14) all'altezza max.
- ◆ Allentare, ma non rimuovere la vite della staffa della protezione (13c) finché la staffa non può essere sollevata abbastanza lontano da poter accedere alla vite della lama (13a). La protezione inferiore rimarrà sollevata a causa della posizione della vite della staffa della protezione come mostrato in in figura I.
- ◆ Premere il pulsante blocca-albero (31) facendo ruotare con cautela la lama della troncatrice a mano fino a innestare il blocco come illustrato in figura J.
- ◆ Tenendo premuto il pulsante, usare l'altra mano e l'utensile di sostituzione della lama in dotazione (30) per allentare la vite della lama (13a). (Girare in senso orario, filettature a sinistra.)
- ◆ Rimuovere la vite della lama (13a), la rondella del morsetto esterno (13d), la lama (13) e l'adattatore della lama (13e), se utilizzati. È possibile lasciare la rondella del morsetto interno (13f) sull'albero.

Inserimento di una lama

- ◆ Scollegare la troncatrice.
- ◆ Con il braccio sollevato, la protezione tenuta aperta e la staffa della protezione sollevata, posizionare la lama sull'albero, sull'adattatore della lama e contro il morsetto della lama interno con i dentini sul fondo della lama rivolti verso il retro della troncatrice.
- ◆ Assemblare la rondella del morsetto esterno sull'albero.
- ◆ Installare la vite della lama e, innestando il blocco dell'albero, serrare saldamente la vite con la chiave in dotazione (girare in senso anti-orario, filettature a sinistra).

Regolazione dell'angolo di taglio obliquo (Fig. L)

- ◆ Allentare l'impugnatura (9) ruotandola in senso anti-orario.
- ◆ Utilizzare il rilascio del blocco taglio inclinato (32) per spostare la tavola rotante (11) nella posizione in cui l'indicatore (7) punta all'angolo desiderato sulla scala di quartabuono (26), stringere l'impugnatura in senso orario.
- ◆ Il piedino di supporto regolabile (24) serve a mantenere l'utensile in equilibrio. Dopo ogni regolazione dell'angolo di quartabuono, è necessario ruotare la manopola sul piedino in senso orario o antiorario finché il fondo non tocca il pavimento. Sono disponibili due posizioni a seconda della profondità del banco di lavoro.

Profondità di taglio

Se si desidera tagliare una scanalatura, è possibile impostare la profondità di taglio usando la vite della profondità di taglio (29) o la lama.

- ◆ Ruotare la vite della profondità di taglio (29) e fissarla con il controdado.

Regolazione del guidapezzo

Prima di eseguire un taglio inclinato, assicurarsi che nessuna parte dell'utensile tocchi il guidapezzo (12) quando si abbassa e si solleva completamente la maniglia in qualsiasi posizione e si tira o spinge completamente il carrello nella posizione più bassa. Prima di azionare l'utensile, assicurarsi che la guida scorrevole sia fissata saldamente dalla vite di blocco fincorsa (35).

Avvertenza! Quando si eseguono tagli inclinati, far scorrere la guida scorrevole verso sinistra e fissarla. In caso contrario, entrerà in contatto con la lama o una parte dell'utensile, causando possibili lesioni gravi all'operatore.

Questo utensile è dotato di una guida scorrevole che dovrebbe essere ordinariamente posizionata al centro. Tuttavia, quando si eseguono tagli obliqui a sinistra, impostarla sulla posizione a sinistra in caso di contatto con la testa. Una volta completate le operazioni di taglio inclinato, non dimenticare di riportare la guida scorrevole nella

posizione originale e fissarla stringendo saldamente la vite di bloccaggio della guida scorrevole (35).

Regolazione dell'angolo di taglio obliquo (Fig. M)

Quando si inclina il carrello verso sinistra, allentare la leva (2) sul retro dell'utensile in senso antiorario. Sbloccare il braccio spingendo con forza la maniglia in una sola direzione.

- ◆ Inclinare la lama della sega fino a quando l'indicatore (25) punta l'angolo desiderato sulla scala di quartabuono (27).
- ◆ Stringere saldamente la leva (2) in senso orario per fissare il braccio.

Avvertenza! Inclinando la lama della sega, assicurarsi di sollevare completamente la maniglia. Dopo aver cambiato l'angolo di taglio obliquo, bloccare sempre il braccio stringendo la leva in senso orario.

Avvertenza! Durante l'inclinazione della lama della sega, tenere presente il peso della testa e assicurarsi di evitare che si schianti.

Accensione (Fig. N)

Attenzione! Prima di collegare l'utensile, verificare sempre che il grilletto dell'interruttore (19) si azioni correttamente e torni in posizione OFF quando viene rilasciato.

- ◆ Per avviare l'utensile, spostare la leva di sblocco di sicurezza (20) verso destra con il dito indice.
- ◆ Premere l'interruttore di azionamento (19).
- ◆ Per fermare l'utensile, rilasciare l'interruttore di azionamento (19).

Avvertenza! Non utilizzare mai l'utensile senza un grilletto dell'interruttore completamente funzionante. Qualsiasi utensile con un interruttore non funzionante è **ALTAMENTE PERICOLOSO** e deve essere riparato prima dell'uso.

Uso del sistema Cut line (Fig. N)

Nota: È necessario collegare la troncatrice a una presa di corrente. Il sistema Cut line è munito di un interruttore acceso/spento (21). Il sistema Cut line è indipendente dall'interruttore di azionamento della troncatrice.

Non è necessario che la spia sia accesa per utilizzare la troncatrice. Per tagliare attraverso una linea esistente tracciata a matita su un pezzo di legno:

- ◆ Accendere il sistema Cut line, quindi tirare l'impugnatura di azionamento verso il basso (18) per avvicinare la lama della troncatrice al legno. Comparirà l'ombra della lama sul legno.
- ◆ Allineare la linea tratteggiata a matita al bordo dell'ombra della lama. È possibile dover regolare gli angoli del taglio inclinato o del taglio obliquo per seguire esattamente la linea tratteggiata a matita.

Tagli trasversali

Un taglio trasversale viene eseguito tagliando il legno attraverso le venature in qualsiasi angolazione. Un taglio trasversale dritto viene eseguito con il braccio per il taglio inclinato in posizione zero gradi. Innestare e bloccare il braccio per il taglio inclinato sullo zero, e tenere saldamente il legno da tagliare sul banco e contro il guida pezzo. Con la manopola di bloccaggio guida serrata, accendere la troncatrice premendo l'interruttore di azionamento (19).

Quando la troncatrice prende velocità (circa 1 secondo) abbassare il braccio ed eseguire lentamente il taglio attraverso il pezzo di legno. Lasciare che la lama si fermi completamente prima di sollevare il braccio.

Quando si tagliano pezzi più grandi di 51mm x 102mm, utilizzare un movimento all'infuori, verso il basso e indietro con la vite di bloccaggio guida allentata. Tirare la troncatrice verso di sé, abbassare la testa della troncatrice verso il pezzo da lavorare e spingere lentamente la troncatrice all'indietro per completare il taglio. Non lasciare che la lama della troncatrice venga a contatto con la parte superiore del pezzo da lavorare durante l'estrazione. La troncatrice potrebbe avanzare verso la persona, provocando possibili lesioni personali o danni al pezzo da lavorare.

Avvertenza! Utilizzare sempre un fermo per mantenere il controllo e ridurre il rischio di danni al pezzo da lavorare e lesioni personali.

Nota: La manopola di bloccaggio della guida deve essere allentata per consentire alla sega di scorrere lungo le guide.

I tagli trasversali sono realizzati con il braccio per il taglio inclinato a un angolo diverso da zero. Questo angolo è spesso a 45° per l'effettuazione degli angoli, ma può essere impostato in qualsiasi posizione da zero a 47° a sinistra o a 47° a destra. Praticare il taglio come descritto qui sopra.

Per tagliare attraverso una linea esistente tracciata a matita su un pezzo di legno, avvicinarsi il più possibile all'angolo. Tagliare il legno un po' più lungo e misurare dalla linea tratteggiata a matita al bordo di taglio per determinare in quale direzione regolare l'angolo di inclinazione e tagliare nuovamente. Ciò richiederà un po' di pratica, ma è una tecnica usata comunemente.

Posizionamento del corpo e delle mani (Fig. O1 – O4)

Il posizionamento corretto del corpo e delle mani durante l'utilizzo della troncatrice faciliterà il taglio, rendendolo più accurato e sicuro. Non appoggiare mai le mani vicino alla zona di taglio. Posizionare le mani a una distanza non inferiore a 152 mm dalla lama. Fissare bene il pezzo da

lavorare al piano e alla guida durante il taglio. Tenere le mani in posizione finché non si rilascia l'interruttore e la lama non si è completamente arrestata. **PRIMA DEI TAGLI DI FINITURA, EFFETTUARE SEMPRE ALCUNE CORSE IN ASSENZA DI ALIMENTAZIONE DI POTENZA IN MODO DA POTER CONTROLLARE IL PERCORSO DELLA LAMA. NON INCROCIARE LE MANI, COME ILLUSTRATO IN FIGURA O3 e O4.** Tenere entrambi i piedi saldamente per terra e mantenere l'equilibrio. Man mano che si sposta il braccio della troncatrice verso sinistra e verso destra, seguirlo e tenersi leggermente a lato della lama. Quando si segue una linea tracciata a matita, guardare attraverso le feritoie del riparo.

Taglio inclinato perpendicolare alla regolazione del banco (Fig. P)

Per allineare la lama perpendicolare al banco, bloccare il braccio in posizione abbassata con il perno di bloccaggio. Posizionare una squadretta contro la lama, assicurandosi che la prima non si trovi sopra un dente. Allentare la manopola di blocco taglio obliquo e assicurarsi che il braccio si trovi saldamente contro l'arresto taglio obliquo 0°. Ruotare la vite di regolazione taglio obliquo 0° con la chiave della lama 10 mm (non in dotazione) secondo necessità in modo che la lama si trovi ad un'inclinazione di 0° rispetto al banco, come misurato con la squadra.

Taglio di cornici, strutture di teche e altri progetti a quattro lati (Fig. Q1, Q2)

Per capire meglio come creare gli elementi elencati qui, suggeriamo di provare alcuni progetti semplici usando legno di scarto fino a quando non sviluppi una certa "sensibilità" nei confronti della troncatrice. La troncatrice è l'apparato perfetto per eseguire angoli a squadra come quello illustrato nella Figura Q1. Lo schizzo A in Figura Q2 mostra un giunto realizzato usando la regolazione del taglio obliquo per smussare i bordi dei due pannelli a 45° ciascuno in modo da formare un angolo di 90°. Per questo giunto il braccio taglio inclinato è stato bloccato in posizione zero e la regolazione del taglio obliquo è stata bloccata a 45°. Il legno è posizionato con il lato ampio e piatto contro la tavola e con il margine stretto contro il guida pezzo. Il taglio si potrebbe anche eseguire mediante taglio inclinato a destra o a sinistra con la superficie ampia contro il guida pezzo.

Modanature di finitura e altre intelaiature (Fig. Q2)

Il disegno B alla Figura Q2 illustra una giunzione realizzata impostando il braccio del taglio inclinato a 45° per inclinare i due pannelli in modo da formare un angolo di 90°. Per realizzare questo tipo di giunzione, impostare la regolazione del taglio obliquo a zero e il braccio del taglio inclinato a 45°. Ancora una volta, posizionare il legno con il lato ampio e piatto contro la tavola e con il margine stretto contro il guida pezzo. Le Figure Q1 e Q2 sono solo per oggetti a quattro lati.

Al variare del numero dei lati, variano anche l'angolo di taglio obliquo e l'angolo di taglio inclinato.

La tabella di seguito fornisce gli angoli corretti per una serie di forme.

Numero di lati	Angolo di taglio obliquo o inclinato
4	45°
5	36°
6	30°
7	25,7°
8	22,5°
9	20°
10	18°

La tabella presuppone che tutti i lati abbiano la stessa lunghezza. In caso di forme non indicate in tabella, utilizzare la seguente formula:

180° diviso per il numero di lati è pari all'angolo di taglio obliquo (se il materiale viene tagliato verticalmente) o all'angolo di taglio inclinato (se il materiale viene tagliato orizzontalmente).

Tagli obliqui composti (fig. Q3)

Il taglio obliquo composto è il taglio eseguito contemporaneamente con un angolo di taglio obliquo e inclinato. Si tratta del tipo di taglio utilizzato per la fabbricazione di cornici o strutture con lati inclinati come quella illustrata nella figura Q3.

Nota: Se l'angolo varia da taglio a taglio, controllare che la manopola di bloccaggio taglio inclinato e quella di bloccaggio taglio obliquo siano saldamente serrate. Serrare nuovamente le manopole ogniqualvolta si modifica l'angolo di taglio inclinato o obliquo.

Esecuzione di tagli su battiscopa (Fig. R)

Tagli rettilinei a 90°:

Posizionare il legno contro il guidepezzo e tenerlo in posizione come mostrato nella Figura R. Accendere la troncatrice, consentire alla lama di raggiungere la massima velocità e abbassare il braccio fluidamente attraverso il taglio.

Esecuzione di tagli su battiscopa fino a 70 mm/90 mm di altezza in verticale contro il guidepezzo

BES700 - 70 mm per 216 mm

BES710 - 90 mm per 254 mm

Posizionare il materiale come mostrato in Figura R. Tutti i tagli vengono eseguiti con la parte posteriore della sagoma contro il guidepezzo e con il fondo della sagoma contro il banco.

	Angolo interno	Angolo esterno
Lato sinistro	Taglio obliquo a sinistra 45° Tenere il lato sinistro del taglio	Taglio obliquo a destra 45° Tenere il lato sinistro del taglio
Lato destro	Taglio obliquo a destra 45° Tenere il lato destro del taglio	Taglio obliquo a sinistra 45° Tenere il lato destro del taglio

I materiali fino a 70 mm/90mm possono essere tagliati secondo la procedura descritta di sopra.

BES700 - 70 mm per 216 mm

BES710 - 90 mm per 254 mm

Taglio di sagome a corona

Per ottenere un'elevata precisione, il taglio di sagome a corona viene eseguito in un taglio obliquo composto. Le due superfici piane su un dato pezzo con sagoma a corona sono ad angoli tali che, ove sommati, sono esattamente pari a 90°. La maggior parte, ma non tutte le sagome a corona hanno un angolo posteriore superiore (la sezione che si appoggia al soffitto) di 52° e un angolo posteriore inferiore (la parte che si appoggia al muro) di 38°. La troncatrice ha speciali punti di arresto per taglio obliquo preimpostati a 31,6° a sinistra e a destra per il taglio delle sagome a corona all'angolazione corretta. È inoltre presente una marcatura sulla scala di regolazione inclinazione a 33,9°. La tabella Impostazione taglio inclinato/Tipo di taglio fornisce le impostazioni corrette per il taglio di sagome a corona. (I numeri per le impostazioni di taglio obliquo e inclinato sono molto precisi e non facili da impostare con precisione sulla sega.) Dal momento che la maggior parte delle camere non ha angoli esattamente pari a 90°, sarà comunque necessario regolare le impostazioni in ogni caso.

Istruzioni per il taglio di sagome a corona di piatto e l'utilizzo delle funzioni per il taglio composto

- ◆ Appoggiare la sagoma con ampia superficie posteriore rivolta verso il basso di piatto sul banco della sega (fig. S1).
- ◆ Le impostazioni di seguito sono valide per tutti i modelli di sagome a corona standard con angoli di 52° e 38°.

Impostazione di taglio inclinato	Tipo di taglio
33,9°	LATO SINISTRO, ANGOLO INTERNO: 1. Parte superiore della sagoma contro il guida pezzo 2. Banco del taglio obliquo impostato a destra 31,6° 3. Tenere la terminazione sinistra del taglio
33,9°	LATO DESTRO, ANGOLO INTERNO: 1. Parte inferiore della sagoma contro il guida pezzo 2. Banco del taglio obliquo impostato a sinistra 31,6° 3. Tenere la terminazione sinistra del taglio
33,9°	LATO SINISTRO, ANGOLO ESTERNO: 1. Parte inferiore della sagoma contro il guida pezzo 2. Banco del taglio obliquo impostato a sinistra 31,6° 3. Tenere la terminazione destra del taglio
33,9°	LATO DESTRO, ANGOLO ESTERNO: 1. Parte superiore della sagoma contro il guida pezzo 2. Banco del taglio obliquo impostato a destra 31,6° 3. Tenere la terminazione destra del taglio

Nota: Quando si impostano gli angoli di taglio inclinato e taglio obliquo per tutti i tagli composti, ricordare che gli angoli presentati per le sagome a corona sono molto precisi e difficili da impostare esattamente. Poiché possono facilmente spostarsi di poco e pochissime stanze hanno angoli esattamente quadrati, tutte le impostazioni dovrebbero essere testate su sagome di scarto.

Metodo alternativo per il taglio di sagome a corona

Posizionare la sagoma ad angolo tra il guida pezzo (12) e il banco della sega (11), con il lato superiore della sagoma sul banco e il lato inferiore della sagoma sul guida pezzo come mostrato nella figura S2. Il vantaggio di tagliare la sagoma a corona con questo metodo è che non è richiesto alcun taglio inclinato. È possibile effettuare regolazioni fini dell'angolo di taglio inclinato senza influire sull'angolo di taglio obliquo. In tal modo, quando si affrontano angoli diversi da 90°, è possibile regolare la troncatrice in modo rapido e semplice.

Istruzioni per il taglio di sagome a corona angolato tra il guida pezzo e la base della troncatrice per tutti i tagli

Questa sega è in grado di tagliare sagome a corona fino a 14 mm x 92 mm.

- ◆ Angolare la sagoma in modo che la parte inferiore della sagoma (la parte che va contro la parete una volta installata) si trovi contro il guida pezzo (12) e la parte superiore della sagoma sia appoggiata sul banco della troncatrice (11), come mostrato in figura S2.
- ◆ Le "parti piatte" angolate sul retro della sagoma devono rimanere perpendicolari sul guida pezzo e il banco della troncatrice.

	Angolo interno	Angolo esterno
Lato sinistro	Taglio obliquo a destra a 45° Tenere il lato destro del taglio	Taglio obliquo a sinistra a 45° Tenere il lato destro del taglio
Lato destro	Taglio obliquo a sinistra a 45° Tenere il lato sinistro del taglio	Taglio obliquo a destra a 45° Tenere il lato sinistro del taglio

Tagli speciali

Non effettuare mai alcun taglio a meno che il materiale non sia fissato al banco e contro il guida pezzo.

Materiale inarcato (fig. T1, T2)

Per praticare tagli su materiali piegati, posizionare sempre i materiali come illustrato nella figura T1, mai come nella figura T2. Il posizionamento scorretto del materiale causa l'incagliamento della lama vicino al completamento del taglio.

Taglio di materiale rotondo

Il materiale rotondo viene fissato o tenuto saldamente contro il guida pezzo per evitare che rotoli. Tale accorgimento è estremamente importante durante l'esecuzione di tagli ad angolo.

Taglio di materiali di grandi dimensioni (fig. U)

A volte un pezzo di legno può essere troppo grande per essere posto sotto la protezione inferiore della lama. Per rimuovere la protezione dal legno, con la troncatrice spenta e la mano destra sull'impugnatura di azionamento, posizionare il pollice destro fuori dalla parte superiore della protezione e ruotare la protezione quanto basta per rimuovere il legno, come mostrato nella figura U. Rilasciare la protezione prima di avviare il motore. Il meccanismo della protezione funzionerà correttamente durante il taglio. Fare quanto sopra solo ove necessario.

NON LEGARE, FERMARE CON NASTRO ADESIVO O SALDARE IN ALTRO MODO LA PROTEZIONE IN POSIZIONE APERTA DURANTE L'USO DELLA TRONCATRICE.

Avvertenza! Accertarsi sempre che l'utensile sia spento e scollegato dall'alimentazione prima di regolare o controllare la funzione degli utensili.

Dopo l'uso

- ◆ Dopo l'uso, rimuovere i trucioli e la polvere che aderiscono all'utensile con un panno o qualcosa di simile.
- ◆ Mantenere pulita la protezione della lama secondo le istruzioni nella sezione di cui sopra.
- ◆ Lubrificare le parti scorrevoli con olio per macchine per prevenire la formazione della ruggine.
- ◆ Quando si ritira l'utensile, tirare il carrello completamente verso di sé.

Trasporto dell'utensile

- ◆ Accertarsi che l'utensile sia scollegato dalla presa di corrente.
- ◆ Fissare la lama all'angolo di taglio inclinato 0° e ruotare completamente la base all'angolo di taglio obliquo con la vite di bloccaggio della barra di scorrimento (28).
- ◆ Fissare le barre di scorrimento dopo aver tirato il carrello completamente verso di sé.
- ◆ Abbassare completamente la maniglia e bloccarla in posizione spingendo il perno di bloccaggio della testa della sega (17).
- ◆ Trasportare l'utensile tenendo la maniglia di trasporto (22).
- ◆ Rimuovendo il morsetto, il sacchetto raccogli-polvere ecc., è possibile trasportare l'utensile più facilmente.
- ◆ Trasportare l'utensile con una mano che tiene la maniglia di trasporto (22) e una mano che tiene la base dell'utensile.

Attenzione! Fissare sempre tutte le parti mobili prima di trasportare l'utensile. Il perno di bloccaggio della testa della sega (17) serve solo per il trasporto e l'immagazzinaggio e non per le operazioni di taglio.

Ricerca e risoluzione guasti

Problema	Possibile causa	Soluzione
Il motore non parte	La troncatrice non è collegata.	Verificare che tutti i cavi siano collegati.
Angolo di taglio impreciso	Banco del taglio obliquo sbloccato.	Utilizzare la leva di blocco del banco del taglio obliquo (vedere la sezione Regolazione dell'angolo di taglio obliquo).
	Troppa segatura sotto il banco.	Aspirare o soffiare via la polvere. Indossare protezioni oculari.
Il braccio di taglio non può sollevarsi completamente, oppure la protezione della lama non può chiudersi completamente	Guasto delle parti.	Contattare il centro di assistenza.
	Molla a perno non riposizionata correttamente dopo l'assistenza.	Contattare il centro di assistenza.
	Accumulo di segatura.	Pulire e lubrificare le parti mobili.
	Perno di bloccaggio della testa della sega non inserito correttamente.	Controllare, regolare e inserire correttamente il perno di bloccaggio della testa della sega.

Problema	Possibile causa	Soluzione
Grippaggio, inceppamento o vibrazione della lama	Lama della sega danneggiata.	Sostituire la lama.
	Lama smussata.	Rimontare o affilare la lama.
	Lama scorretta.	Sostituire la lama.
	Lama deformata.	Sostituire la lama.
Vibrazione o scuotimento della lama	Lama della sega danneggiata.	Sostituire la lama.
	Lama della sega allentata.	Serrare il bullone dell'albero.
	Sega non correttamente fissata verso il basso.	Fissare la sega al banco, supporto o tavolo.
	Il pezzo da lavorare non è supportato correttamente.	Sostenere o bloccare correttamente il pezzo da lavorare.

Protezione dell'ambiente



Effettuare la raccolta differenziata. I prodotti e le batterie contrassegnati con questo simbolo non devono essere smaltiti con i rifiuti domestici normali.

Prodotti e batterie contengono materiali che possono essere recuperati o riciclati, riducendo la richiesta di materie prime. Riciclare i prodotti elettrici e le batterie attenendosi alle disposizioni locali vigenti. Ulteriori informazioni sono disponibili all'indirizzo www.2helpU.com.

Dati tecnici

		BES700 Tipo 1	BES710 Tipo 1
Tensione	V	230	230
Velocità	/min	4800	5000
Diametro esterno lama	mm	216	254
Diametro del foro	mm	30	30
Peso	kg	12,1	14,9
Spessore lama	mm	1,8	1,8
Taglio max. lama	mm	2,8	2,8
Taglio obliquo (posizioni max)	°	+/- 47	+/- 47
Taglio inclinato (posizioni max.)	°	47	47
Capacità max taglio trasversale a 90°	mm	305	305
Capacità max a quartabuono 45°	mm	203	203
Profondità max di taglio a 90°	mm	70	90
Profondità max di taglio a 45°	mm	35	40

BES700 - Livello di pressione sonora misurato in base a EN 62841:

L_{pA} (pressione sonora) 97,5 dB(A), Incertezza (K) 3 dB(A)

L_{WA} (potenza sonora) 108,0 dB(A), Incertezza (K) 3 dB(A)

BES710 - Livello di pressione sonora misurato in base a EN 62841:

L_{pA} (pressione sonora) 96,0 dB(A), Incertezza (K) 3 dB(A)

L_{WA} (potenza sonora) 107,5 dB(A), Incertezza (K) 3 dB(A)

Dichiarazione di conformità CE

DIRETTIVA MACCHINE



BES700, BES710 Troncatrice radiale scorrevole

Black & Decker dichiara che i prodotti descritti al paragrafo "Dati tecnici" sono conformi alle seguenti normative:

EN62841-1:2015, EN62841-3-9:2015+A11:2017

Questi prodotti sono conformi alle Direttive 2006/42/CE, 2014/30/UE e 2011/65/UE.

Per maggiori informazioni contattare Black & Decker al seguente indirizzo oppure consultare l'ultima di copertina del manuale.

Il sottoscritto è responsabile della redazione del presente documento tecnico e rilascia questa dichiarazione per conto di Black & Decker.

A. P. Smith
Direttore tecnico
Black & Decker Europe, 210 Bath Road, Slough,
Berkshire, SL1 3YD
Regno Unito
01/03/2019

Garanzia

Black & Decker è certa della qualità dei propri prodotti e offre ai consumatori una garanzia di 24 mesi dalla data di acquisto. Il presente certificato di garanzia è complementare ai diritti legali e non li pregiudica in alcun modo. La garanzia è valida nei territori degli Stati membri dell'Unione Europea o dell'EFTA (Associazione europea di libero scambio).

Per attivare la garanzia, il reclamo deve essere effettuato in accordo con i Termini e Condizioni Black & Decker e sarà necessario presentare la prova di acquisto al venditore o all'agente di riparazione autorizzato. I Termini e condizioni della garanzia Black&Decker di 2 anni e la sede del tecnico riparatore autorizzato più vicino sono consultabili su Internet all'indirizzo www.2helpU.com, o contattando l'ufficio Black&Decker di zona all'indirizzo indicato in questo manuale:

Visitare il nostro sito www.blackanddecker.co.uk per registrare il nuovo prodotto BLACK+DECKER e ricevere gli aggiornamenti sui nuovi prodotti e le offerte speciali.

Bedoeld gebruik

De BLACK+DECKER BES700, BES710, een zaag voor samengesteld verstek met geleiderail is uitsluitend ontworpen voor het zagen van hout, kunststof en non-ferrometaal. Dit gereedschap is bedoeld voor gebruik door niet-professionele gebruikers.

Veiligheidsinstructies**Algemene veiligheidswaarschuwingen voor elektrisch gereedschap**

Waarschuwing! Lees alle veiligheidswaarschuwingen, instructies, illustraties en specificaties die bij dit gereedschap zijn meegeleverd. Wanneer de volgende waarschuwingen en voorschriften niet in acht worden genomen, kan dit een elektrische schok, brand of ernstig letsel tot gevolg hebben.

Bewaar alle waarschuwingen en instructies als referentiemateriaal. De hierna gebruikte term 'elektrisch gereedschap' in alle waarschuwingen die hieronder worden vermeld, heeft betrekking op elektrisch gereedschap voor gebruik op netspanning (met netsnoer) of met een accu (snoerloos).

1. Veilige werkomgeving

- a. **Houd uw werkomgeving schoon en goed verlicht.** Op rommelige of donkere plekken zullen sneller ongelukken gebeuren.
- b. **Werk niet met elektrisch gereedschap in een omgeving met explosiegevaar, zoals in de nabijheid van brandbare vloeistoffen, gasen of stof.** Elektrisch gereedschap veroorzaakt vonken die het stof of de dampen kunnen doen ontbranden.
- c. **Houd kinderen en omstanders tijdens het gebruik van elektrisch gereedschap op afstand.** Als u wordt afgeleid, kunt u de controle over het gereedschap verliezen.

2. Elektrische veiligheid

- a. **De netstekker van het elektrisch gereedschap moet in het stopcontact passen. Pas de stekker nooit op enige manier aan. Gebruik geen adapterstekkers in combinatie met geaard elektrisch gereedschap.** Niet-aangepaste stekkers en passende contactdozen verminderen het risico van een elektrische schok.
- b. **Vermijd aanraking van het lichaam met geaarde oppervlakken, bijvoorbeeld buizen, verwarmingen, fornuizen en koelkasten.** Er bestaat een verhoogd risico van een elektrische schok als uw lichaam contact heeft met aarde.
- c. **Stel elektrisch gereedschap niet bloot aan regen en vocht.** Als er water in elektrisch gereedschap

- binnendringt, verhoogt dit het risico van een elektrische schok.
- d. **Behandel het snoer voorzichtig. Gebruik het snoer nooit om het elektrisch gereedschap te dragen of naar u toe te trekken, of de stekker uit het stopcontact te halen. Houd het snoer uit de buurt van warmtebronnen, olie, scherpe randen, of bewegende onderdelen.** Beschadigde snoeren of snoeren die in de war zijn geraakt, verhogen het risico van een elektrische schok.
 - e. **Gebruik, wanneer u buitenshuis met elektrisch gereedschap werkt, alleen verlengsnoeren die zijn goedgekeurd voor gebruik buitenshuis.** Het gebruik van een verlengsnoer dat geschikt is voor buiten vermindert het risico van een elektrische schok.
 - f. **Als u met elektrisch gereedschap werkt op een vochtige locatie, gebruik dan een aardlekschakelaar (RCD).** Het gebruik van een aardlekschakelaar vermindert het risico van een elektrische schok.
3. **Persoonlijke veiligheid**
 - a. **Blijf alert, let goed op wat u doet en ga met verstand te werk bij het gebruik van elektrisch gereedschap. Gebruik elektrisch gereedschap niet als u vermoeid bent of onder de invloed van drugs, alcohol of medicatie bent.** Een moment van onoplettendheid tijdens het werken met elektrisch gereedschap kan leiden tot ernstig persoonlijk letsel.
 - b. **Draag persoonlijke beschermende uitrusting. Draag altijd oogbescherming.** Beschermende uitrusting, zoals een stofmasker, antislip veiligheidsschoenen, een helm, of gehoorbescherming, gebruikt in de juiste omstandigheden, zal het risico op persoonlijk letsel verminderen.
 - c. **Voorkom per ongeluk inschakelen. Controleer dat de schakelaar in de uit-stand staat voordat u het gereedschap aansluit op het stopcontact en/of de accu plaatst en voordat u het gereedschap optilt of gaat dragen.** Het dragen van elektrisch gereedschap met uw vinger op de schakelaar of het aanzetten van elektrisch gereedschap waarvan de schakelaar aan staat, kan leiden tot ongelukken.
 - d. **Verwijder instelgereedschap of schroefsleutels voordat u het elektrisch gereedschap inschakelt.** Een steeksleutel of een inbussleutel in een draaiend deel van het elektrisch gereedschap kan tot persoonlijk letsel leiden.
 - e. **Reik niet buiten uw macht. Blijf altijd stevig en in balans op de grond staan.** Dit geeft u betere controle over het elektrisch gereedschap in onverwachte situaties.
 - f. **Draag geschikte kleding. Draag geen loszittende kleding of sieraden. Houd uw haar en kleding weg bij bewegende onderdelen.** Loszittende kleding, sieraden of lang haar kunnen door bewegende delen worden gegrepen.
 - g. **Als voorzieningen voor stofafzuiging of stofopvang kunnen worden gemonteerd, controleer dan dat deze zijn aangesloten en op de juiste wijze worden gebruikt.** Het gebruik van stofafzuiging kan aan stof gerelateerde gevaren verminderen.
 - h. **Word niet gemakzuchtig doordat u door veelzijdig gebruik vertrouwd bent geraakt met het gereedschap, en verlies niet de veiligheidsbeginselen uit het oog.** Een onvoorzichtige handeling kan in een fractie van een seconde ernstig letsel tot gevolg hebben.
4. **Gebruik en onderhoud van elektrisch gereedschap**
 - a. **Overbelast het elektrisch gereedschap niet. Gebruik het juiste elektrisch gereedschap voor uw toepassing.** Met het juiste elektrisch gereedschap kunt u de werkzaamheden waarvoor het gereedschap is ontworpen, beter en veiliger uitvoeren.
 - b. **Gebruik het elektrisch gereedschap niet als de schakelaar niet goed werkt.** Ieder elektrisch gereedschap dat niet met de schakelaar kan worden bediend, is gevaarlijk en moet worden gerepareerd.
 - c. **Trek de stekker uit het stopcontact en/of de accu uit het elektrisch gereedschap voordat u het gereedschap instelt, accessoires wisselt of het elektrisch gereedschap opbergt.** Dergelijke preventieve veiligheidsmaatregelen verminderen het risico dat het elektrisch gereedschap per ongeluk wordt gestart.
 - d. **Bewaar elektrisch gereedschap dat niet wordt gebruikt, buiten bereik van kinderen. Laat niet personen die er niet vertrouwd mee zijn en deze aanwijzingen niet hebben gelezen met het gereedschap werken.** Elektrisch gereedschap is gevaarlijk in handen van ongetrainde gebruikers.
 - e. **Onderhoud elektrisch gereedschap en accessoires goed. Controleer dat bewegende delen van het elektrisch gereedschap wel goed functioneren en niet klemmen, en dat er niet onderdelen zodanig zijn gebroken of beschadigd dat de werking van het gereedschap nadelig wordt beïnvloed. Laat het gereedschap voor gebruik repareren als het beschadigd is.** Veel ongelukken worden veroorzaakt door slecht onderhouden elektrisch gereedschap.
 - f. **Houd zaag- en snijgereedschap scherp en schoon.** Goed onderhouden zaaggereedschap met scherpe snijvlakken loopt minder snel vast en is gemakkelijker onder controle te houden.
 - g. **Gebruik elektrisch gereedschap, accessoires, zaagjes en boortjes, enz., volgens deze aanwijzingen. Let daarbij op de arbeidsomstandigheden en de uit te voeren werkzaamheden.** Gebruik van het elektrisch

gereedschap voor werkzaamheden die anders zijn dan bedoeld, kan leiden tot een gevaarlijke situatie.

- h. Houd de handgrepen droog, schoon en vrij van olie en vet.** Gladde handgrepen en vette oppervlakken maken het moeilijk het gereedschap veilig te hanteren en onder controle te houden in onverwachte situaties.

5. Service

- a. Laat het gereedschap alleen repareren door gekwalificeerd en vakkundig personeel en alleen met originele vervangingsonderdelen.** De veiligheid van het gereedschap blijft dan gewaarborgd.

Veiligheidsinstructies voor verstekzagen

- ◆ **Verstekzagen zijn bedoeld voor het zagen van hout of houtproducten, zij kunnen niet worden gebruikt met slijpschijven voor het zagen van ferro-materialen, zoals staven, stangen, steunen, enz.** Door stofdeeltjes die ontstaan bij het zagen kunnen bewegende delen, zoals de onderste beschermkap, vast komen te zitten. Vonken die ontstaan bij zagen en slijpen zullen inbranden op de onderste beschermkap, het inzetstuk voor de zaagsnede en andere kunststof onderdelen.
- ◆ **Ondersteun het werkstuk met klemmen wanneer dat maar mogelijk is. Ondersteunt u het werkstuk met de hand, dan moet u uw hand altijd op een afstand van tenminste 100 mm van beide zijden van het zaagblad houden. Zaag met deze zaagmachine niet stukken die te klein zijn om stevig te worden vastgezet of vastgehouden te worden met de hand.** Bevindt uw hand zich te dicht bij het zaagblad, dan bestaat er het risico dat u letsel oploopt door contact met het zaagblad.
- ◆ **Het werkstuk moet stilliggen en tegen zowel de langsgeleiding als de tafel worden geklemd of gehouden. Voer het werkstuk niet met de hand naar het zaagblad toe en zaag op geen enkele manier "uit de vrije hand".** Werkstukken die niet zijn vastgezet en kunnen bewegen kunnen bij hoge snelheid worden teruggeworpen en daardoor kan letsel ontstaan.
- ◆ **Duw de zaag door het werkstuk. Trek niet de zaag door het werkstuk. Maak een zaagsnede door de zaagkop omhoog te zetten en uit te trekken over het werkstuk zonder te zagen, de motor te starten, de zaagkop omlaag te drukken en de zaag door het werkstuk te duwen.** Wanneer u zaagt door de zaag door het werkstuk te trekken zal het zaagblad mogelijk uit het werkstuk omhoog komen en het zaagblad met grote kracht in de richting van de gebruiker duwen.
- ◆ **Reik nooit met uw hand over de beoogde zaaglijn, niet voor en niet achter het zaagblad.** Het werkstuk "met gekruiste handen" ondersteunen, d.w.z. het werkstuk vasthouden rechts van het zaagblad met uw linkerhand of andersom, is heel gevaarlijk.

- ◆ **Reik met geen van beide handen achter de langsgeleiding op een afstand van minder dan 100 mm van een van beide zijden van het zaagblad, bijvoorbeeld om stukjes hout weg te nemen, of om welke andere reden dan ook, terwijl het zaagblad draait.** U zult misschien niet merken dat het draaiende zaagblad dicht bij uw hand is en u kunt ernstig gewond raken.
- ◆ **Inspecteer het werkstuk voordat u gaat zagen. Als het werkstuk gebogen is of krom, klem het dan vast met de buitenzijde van de gebogen kant naar de langsgeleiding. Let er altijd goed op dat er geen ruimte is tussen het werkstuk, de langsgeleiding en de tafel langs de zaaglijn.** Gebogen of kromme werkstukken kunnen wegdraaien en -schuiven en dat kan leiden tot het vastlopen tegen het ronddraaiende zaagblad tijdens het zagen. Er mogen geen spijkers of vreemde voorwerpen in het werkstuk zitten.
- ◆ **Gebruik de zaag pas wanneer de tafel vrij is van alle gereedschap, afgezaagde stukjes hout, enz., alleen het werkstuk mag erop liggen.** Kleine stukjes vuil of losse stukjes hout of andere voorwerpen die in contact komen met het ronddraaiende zaagblad, kunnen met hoge snelheid worden weggeslingerd.
- ◆ **Zaag niet meer dan één werkstuk tegelijkertijd.** Een stapel van meerdere werkstukken kan niet goed worden vastgeklemd of ondersteund en kan het zaagblad doen vastlopen of de stapel kan verschuiven tijdens het zagen.
- ◆ **Controleer, vóór gebruik, dat de verstekzaag is gemonteerd of geplaatst op een vlak, stevig werkoppervlak.** Een vlak en steviger werkoppervlak vermindert het risico dat de verstekzaag instabiel wordt.
- ◆ **Plan uw werkzaamheden. Iedere keer dat u de instelling van de schuine hoek of van de verstekhoek wijzigt, moet u controleren dat de verstelbare langsgeleiding goed is afgesteld voor ondersteuning van het werkstuk en niet een belemmering kan vormen voor het zaagblad of het systeem van beschermkappen.** Verplaatst, zonder het gereedschap in te schakelen ("ON") en zonder een werkstuk op de tafel, volledig langs de beoogde zaagsnede, zodat u zeker weet dat er geen belemmeringen zijn en u niet in de langsgeleiding zaagt.
- ◆ **Zorg voor voldoende ondersteuning, zoals verlengstukken van de tafel, zaagbokken, enz., voor een werkstuk dat breder of langer is dan het bovenblad van de tafel.** Werkstukken die langer of breder zijn dan de verstekzaagtafel, kunnen omvallen als zij niet stevig worden ondersteund. Als het afgezaagde gedeelte of het werkstuk omvalt, kan het de onderste beschermkap omhoog duwen of kan het worden weggeslingerd door het ronddraaiende zaagblad.

- ◆ **Werk niet met een ander persoon als vervanging van een verlengstuk van de tafel of als extra ondersteuning.** Instabiele ondersteuning voor het werkstuk kan het zaagblad doen vastlopen of kan het werkstuk tijdens de zaagwerkzaamheden verschuiven, waardoor u of uw hulp naar het ronddraaiende zaagblad wordt getrokken.
- ◆ **Het af te zagen stuk mag niet op welke manier dan ook tegen het ronddraaiende zaagblad worden geklemd of gedrukt.** Als er niet voldoende ruimte is voor het afgezaagde gedeelte, d.w.z. bij gebruik van lengtestoppen, kan het afgezaagde stuk tegen het zaagblad worden gedrukt en met kracht worden weggeslingerd.
- ◆ **Gebruik altijd een klem of een stuk gereedschap dat is ontworpen voor het op juiste wijze ondersteunen van rond materiaal, zoals stangen of buizen.** Stangen kunnen wegrollen wanneer ze worden gezaagd, waardoor het zaagblad "hapt" en het werkstuk met uw hand in het zaagblad wordt getrokken.
- ◆ **Laat het zaagblad eerst geheel op snelheid komen voordat u contact maakt met het werkstuk.** Dit beperkt het risico dat het werkstuk wordt weggeslingerd.
- ◆ **Als het werkstuk of het zaagblad bekneld raakt, schakel de verstekzaag dan uit. Wacht tot alle bewegende onderdelen tot stilstand zijn gekomen en trek de stekker uit het stopcontact en/of neem de accu uit.** Werk vervolgens aan het vrijmaken van het vastgelopen materiaal. Gaat u door met zagen terwijl het werkstuk bekneld is geraakt, dan kan dat leiden tot verlies van controle of tot beschadiging van de verstekzaag.
- ◆ **Laat, nadat u de zaagsnede hebt voltooid, de schakelaar los, houdt de zaagkop omlaag, wacht tot het zaagblad tot stilstand is gekomen en verwijder dan pas het afgezaagde gedeelte.** Het is gevaarlijk met uw hand in de buurt van het uitlopende zaagblad te komen.

Aanvullende veiligheidsinstructies voor verstekzagen

- ◆ **Houd de handgreep stevig vast wanneer u een onvolledige zaagsnede maakt of wanneer u de schakelaar loslaat voordat de zaagkop geheel in de onderste positie staat.** De remwerking van de zaag kan de zaag plotseling omlaag trekken, waardoor een risico van letsel kan ontstaan.
- ◆ Het bedoeld gebruik wordt beschreven in deze gebruiksaanwijzing. Het gebruik van andere accessoires of hulpstukken dan wel de uitvoering van andere handelingen met dit gereedschap dan in deze gebruikershandleiding worden aanbevolen, kan tot persoonlijk letsel en/of materiële schade leiden.
- ◆ Gebruik geen gescheurde/verbogen/beschadigde/vervormde zaagbladen.

- ◆ Vervang de zaagplaat wanneer deze versleten is.
- ◆ Gebruik geen zaagbladen met een grotere of kleinere diameter dan wordt aanbevolen. Raadpleeg de technische gegevens voor de juiste afmetingen van het zaagblad. Gebruik alleen de zaagbladen die worden opgegeven in deze handleiding, en die voldoen aan EN 847-1.
- ◆ Gebruik geen HSS-zaagbladen (High Speed Steel).



Waarschuwing! Contact met of inademing van stofdeeltjes die bij zaagtoepassingen vrijkomen, kan de gezondheid van de gebruiker en omstanders schaden. Draag een stofmasker dat speciaal is ontworpen ter bescherming tegen stof en dampen, en zorg ervoor dat andere personen op de werkplek ook zijn beschermd.

- ◆ Verwerk geen materiaal dat asbest bevat. Asbest wordt beschouwd als een kankerverwekkende stof.
- ◆ Draag handschoenen wanneer u zaagbladen en ruwe materialen vasthoudt (zaagbladen moeten in een houder worden vervoerd, wanneer dat praktisch mogelijk is).
- ◆ Draag gehoorbescherming zodat het risico van gehoorverlies wordt verminderd.
- ◆ Overweeg het gebruik van speciaal ontworpen zaagbladen die minder geluid maken.
- ◆ Draag bescherming van uw ogen zodat het risico van persoonlijk letsel wordt beperkt.
- ◆ Gebruik de bijgeleverde stofzak wanneer u hout zaagt.
- ◆ **Houd het gereedschap alleen vast aan geïsoleerde oppervlakken als u een handeling uitvoert waarbij het accessoire van het zaaggereedschap in contact kan komen met verborgen bedrading of het eigen netsnoer.** Accessoires van elektrisch gereedschap die in contact komen met bedrading waar spanning op staat, kunnen metalen onderdelen van het gereedschap onder stroom zetten en de gebruiker een elektrische schok geven
- ◆ Selecteer het juiste zaagblad voor het materiaal dat u wilt zagen.
- ◆ Gebruik de machine niet als de beschermkap niet is aangebracht. Gebruik de machine niet als de beschermkap niet werkt of niet goed is onderhouden.
- ◆ Controleer dat de arm stevig is vastgezet wanneer u schuine zaagsneden uitvoert.
- ◆ Controleer voor iedere zaagsnede dat de machine stabiel is.
- ◆ Houd de handvatten droog, schoon en vrij van olie en vet.
- ◆ Houd de ruimte rond de machine schoon en vrij van losse materialen zoals spaanders en zaagresten.
- ◆ Zorg dat de machine en de werkruimte goed worden verlicht met centrale verlichting of verlichting op de werkplek.
- ◆ Zorg dat de machine uitsluitend wordt bediend door mensen die daarvoor zijn opgeleid.

- ◆ Controleer vóór gebruik altijd of het zaagblad correct is aangebracht. Het is belangrijk dat het zaagblad in de juiste richting draait. Houd het zaagblad scherp. Volg de instructies voor het smeren en het vervangen van accessoires.
- ◆ Controleer dat de snelheid die op het zaagblad wordt vermeld, ten minste gelijk is aan de snelheid die op de zaag wordt vermeld.
- ◆ Zorg ervoor dat tussenringen en asringen die worden gebruikt geschikt zijn voor het doel dat door BLACK+DECKER wordt genoemd.
- ◆ Reparaties aan het geleidingssysteem voor de zaaglijn mogen alleen worden uitgevoerd door erkende servicemonteurs of BLACK+DECKER-servicepersoneel.
- ◆ Neem de accu uit de machine voordat u onderhoudswerk uitvoert of het zaagblad verwisselt.
- ◆ Voer nooit reinigings- of onderhoudswerkzaamheden uit en verwijder geen zaagresten of andere delen van het werkstuk uit het zaaggebied wanneer de machine draait of de zaagkop niet in de ruststand staat.
- ◆ Monteer wanneer mogelijk de machine altijd op een werkbank.
- ◆ Zorg dat alle vergrendelingsknoppen en handgrepen goed vastzitten voordat u de machine in gebruik neemt.
- ◆ Gebruik de zaag nooit zonder het tafelement.
- ◆ Probeer nooit de draaiende machine snel te stoppen door een stuk gereedschap of een ander voorwerp tegen het zaagblad te duwen. Dit kan onbedoeld leiden tot ernstige ongevallen.
- ◆ Lees de gebruikershandleiding voordat u eventuele hulpstukken gebruikt of plaatst. Onjuist gebruik van een accessoire kan schade veroorzaken.
- ◆ Til het zaagblad uit het tafel-inzetstuk en uit het werkstuk voordat u de aan/uit-schakelaar loslaat.
- ◆ Zet niet iets vast tegen de ventilator met het doel de motoras vast te zetten.
- ◆ De zaagbladbeschermkap op uw zaag zal automatisch omhoog gaan wanneer de arm zakt, de kap zal over het zaagblad zakken wanneer de arm wordt opgetild. U kunt de beschermkap met de hand omhoog brengen wanneer u zaagbladen monteert of verwijdert of als u de zaag wilt inspecteren. Til de kap nooit met de hand op als de machine niet is uitgeschakeld.
- ◆ Controleer zo nu en dan dat de luchtsleuven van de motor schoon zijn en dat er geen spaanders in zitten.
- ◆ Zorg dat de waarschuwingssymbolen op het elektrische gereedschap altijd goed zichtbaar blijven.
- ◆ Ga nooit op het elektrische gereedschap staan. Wanneer het elektrische gereedschap omvalt of wanneer u in aanraking komt met het zaagblad, kan dit leiden tot ernstige verwondingen.

- ◆ Pak het zaagblad na werkzaamheden niet vast voordat het is afgekoeld. Het zaagblad wordt tijdens het werken heel heet.
- ◆ Voorkom letsel door wegschietend materiaal door eerst de stekker van het netsnoer van de zaag uit het stopcontact te trekken en daarna klein materiaal te verwijderen.
- ◆ Controleer voor en na alle onderhoudswerkzaamheden dat de beschermkap van de zaag goed werkt. Zorg ervoor dat de zaag is uitgeschakeld en de netstekker van de netspanning is losgekoppeld wanneer u deze test uitvoert. Breng de arm omhoog en omlaag en controleer zo dat de beschermkap het zaagblad bedekt, maar het zaagblad de beschermkap niet raakt. Laat het elektrisch gereedschap repareren door een gekwalificeerd servicecentrum als de beschermkap niet goed werkt. Informeer bij de klantenservice van BLACK+DECKER naar het dichtstbijzijnde servicecentrum.
- ◆ **Deze verstekzaag is uitsluitend ontworpen voor het zagen van hout, kunststof en non-ferrometaal.** Gebruik de zaag niet voor het zagen van andere materialen dan die de fabrikant aanbeveelt.
- ◆ Pak het zaagblad na werkzaamheden niet vast voordat het is afgekoeld. Het zaagblad wordt tijdens het werken heel heet.



Waarschuwing! Door het zagen van kunststoffen, nat hout en andere materialen kan zich gesmolten of gedroogd materiaal op de tip van het zaagblad en op het zaagblad zelf afzetten, waardoor het risico van oververhitting en van vastlopen van het zaagblad tijdens het zagen kan toenemen.

Overige risico's

De volgende risico's horen bij het gebruik van zagen: Zelfs wanneer de veiligheidsvoorschriften in acht worden genomen en de veiligheidsvoorzieningen worden gebruikt, kunnen bepaalde risico's niet worden uitgesloten. Dit zijn onder meer:

- ◆ Verwondingen die worden veroorzaakt door het aanraken van draaiende of bewegende onderdelen.
- ◆ Gehoorbeschadiging.
- ◆ Risico van ongelukken door de onbedekte delen van het ronddraaiende zaagblad.
- ◆ Risico van verwondingen bij het vervangen van onderdelen, zaagbladen of accessoires.
- ◆ Risico van het knellen van de vingers bij het openen van de beschermkappen.
- ◆ Gezondheidsrisico's door het inademen van zaagsel dat ontstaat bij het zagen van hout, in het bijzonder eiken, beuken en MDF.
- ◆ Letsel dat wordt veroorzaakt door langdurig gebruik van gereedschap. Wanneer u langere periodes met gereedschap werkt, kunt u het beste regelmatig een pauze nemen.

Geluid

De aangegeven geluidsemissiewaarden zijn gemeten conform een standaardtestmethode en kan worden gebruikt om gereedschappen met elkaar te vergelijken.

De aangegeven geluidsemissiewaarden kunnen ook worden gebruikt bij een voorlopige bepaling van blootstelling.

Waarschuwing! De geluidsemissie waarde tijdens het werkelijke gebruik van het elektrisch gereedschap kan afwijken van de aangegeven waarde, afhankelijk van de manier waarop het gereedschap wordt gebruikt en welk type werkstuk wordt bewerkt.

Waarschuwing! Draag altijd geschikte

gehoorbescherming. Onder bepaalde omstandigheden en bij een zekere gebruiksduur kan het lawaai van dit product leiden tot gehoorbeschadiging. Houd rekening met de volgende factoren die van invloed zijn bij de blootstelling aan lawaai:

- ◆ Gebruik zaagbladen die zo zijn ontworpen dat zij minder lawaai maken,
- ◆ Gebruik alleen goede, scherpe zaagbladen en
- ◆ Gebruik speciaal ontworpen geluidsreducerende zaagbladen.

Etiketten op het gereedschap

De volgende pictogrammen worden met de datumcode op het gereedschap weergegeven:



Waarschuwing! De gebruiker moet de instructiehandleiding lezen zodat het risico van letsel wordt beperkt.



Draag een veiligheidsbril of oogbescherming



Draag gehoorbescherming



Draag een stofmasker



Dit product mag niet worden gebruikt door kinderen onder de 16



Houd handen weg bij zaagblad



Geen Handen zone - Houd vingers en armen uit de buurt van draaiende zaagbladen



Draag handschoenen wanneer u zaagbladen vastpakt



Kijk niet in de werkklamp



Stel het apparaat niet bloot aan regen.



Trek de stekker uit het stopcontact als het snoer beschadigd of in de war raakt.

Elektrische veiligheid



Dit gereedschap is dubbel geïsoleerd, daarom is een aardeaansluiting niet vereist. Controleer altijd dat de stroomvoorziening overeenkomt met de voltage op het typeplaatje.

- ◆ Als het netsnoer is beschadigd, moet dit worden vervangen door de fabrikant of een BLACK+DECKER-servicecentrum, zodat gevaarlijke situaties worden voorkomen.

Spanningsdalingen

Tijdens de stroomtoevoer kan zich soms een korte daling voordoen. Wanneer de stroomvoorziening niet optimaal is, kan dit invloed hebben op andere apparatuur. Als de systeemimpedantie van de netvoeding lager is dan $0,178 \Omega$, zullen er waarschijnlijk geen storingen optreden.

Een verlengsnoer gebruiken

Gebruik altijd een goedgekeurd verlengsnoer dat geschikt is voor het ingangsvermogen van dit apparaat (zie de technische gegevens). Controleer het verlengsnoer vóór gebruik op tekenen van beschadiging, slijtage of veroudering. Vervang het verlengsnoer als het beschadigd of defect is. Rol het snoer altijd volledig af, wanneer u een haspel gebruikt. Het gebruik van een verlengsnoer dat niet geschikt is voor het ingangsvermogen van de machine of dat beschadigd of defect is, kan tot brandgevaar en elektrische schokken leiden.

Functies

Dit gereedschap is voorzien van enkele of alle van de volgende functies.

1. Schuifbalken
2. Vergrendelingsknop schuine hoek
3. Standaard
4. Werkstukkleem
5. Tafelverlengingsrail
6. Boutgaten
7. Indicator verstekhoek
8. Tafelinzet
9. Verstekvergrendelingsknop
10. Grondplaat
11. Draaiende tafel
12. Achtergeleiding
13. Zaagblad
14. Zaagbladbeschermkap

15. Montageplaat beschermkap
16. Motorbehuizing
17. Vergrendelingspen zaagkop
18. Hoofdhandgreep
19. Aan/uit-schakelaar
20. Vrijgavehendel veiligheid
21. Knop zaaglijnverlichting aan/uit
22. Draaghandgreep
23. Stofzak
24. Verstelbare steunvoet
25. Indicator schuine hoek
26. Schaalverdeling verstekhoek
27. Schaalverdeling schuine hoek
28. Vergrendelingsschroef schuifbalk
29. Zaagdiepteschroef
30. Gereedschap voor zaagbladwisseling
31. Asvergrendeling
32. Vrijgave verstekvergrendeling
33. Schroef verlengrailvergrendeling
34. Schroef klemvergrendeling
35. Vergrendelingsschroef schuifbalk
36. Kabelwikkel

Montage

De verstekzaag is gedeeltelijk gemonteerd in de doos.

- ◆ Open de doos en haal de zaag eruit.
- ◆ Plaats de zaag op een glad, vlak oppervlak, zoals een werkbank of een stevige tafel.
- ◆ Bestudeer het Montageschema op pagina 2 van deze handleiding zodat u de zaag en de diverse onderdelen leert kennen. Het hoofdstuk over afstellingen verwijst naar deze termen en u moet weten wat de onderdelen zijn en waar ze zich bevinden.
- ◆ Wanneer het gereedschap wordt verzonden, is de handgreep door de vergrendelingen (17) van de zaagkop vergrendeld in de onderste positie. Trek de vergrendelingen (17) van de zaagkop en draai deze 90°, hetzij naar links of naar rechts, zoals wordt gekroond een afbeelding A.
- ◆ De verstekvergrendelingsknop (9) is niet gemonteerd bij verzending af-fabriek. Neem de verstekvergrendelingsknop (9) uit de verpakking en schroef deze op de zaag, in afbeelding B ziet u waar dat moet.

Tafelverlengingsrails (Afb. C & D)

Uw verstekzaag wordt geleverd met 2 stuks tafelverlengingsrail (5) die zijn bedoeld om overhangende werkstukken te ondersteunen.

- ◆ Trek de tafelverlengingsrail (5) uit op de gewenste lengte voor het werkstuk, zoals wordt getoond een afbeelding C.
- ◆ Zet de rails vast met de vergrendelingsschroef (33), zoals wordt getoond een afbeelding D.

- ◆ Herhaal deze procedure aan de tegenovergestelde zijde.

Standaard - alleen BES710 (Afb. E)

De verstekzaag BES710 wordt geleverd met 1 standaard (3), die zich aan de achterzijde van de unit bevindt en die de stabiliteit moet verbeteren.

Montage op de werkbank (Afb. F)

De verstekzaag kan met vier bouten (6a) (niet meegeleverd) worden vastgezet op een vlak en stabiel oppervlak met de gaten (6) die in de grondplaat van het gereedschap zijn gemaakt. Dit helpt ongevallen en mogelijk letsel te voorkomen.

Stofverzameling (Afb. G)

Het gebruik van de stofzak (23) maakt het zagen stofvrij en het verzamelen van stof gemakkelijk.

- ◆ U kunt de stofzak (23) bevestigen door een tijdje op de zuigmond (23a) te monteren.
- ◆ Wanneer de stofzak (23) ongeveer halfvol is, moet u de zak van het gereedschap losnemen.
- ◆ Maak de stofzak leeg door er licht op te kloppen, zodat u stofdeeltjes die aan de binnenzijde vastzitten verwijderd, en het verzamelen van stofdeeltjes niet wordt gehinderd.

Opmerking: Als u een werkplaatsstofzuiger op uw zaag bevestigt, kunt u efficiënter en schoner werken.

Een klem op het werkstuk plaatsen (Afb. H)

- ◆ Steek de klem (4) in het gat (4c) achter de geleiding. De klem moet naar de achterzijde van de verstekzaag wijzen. De groef op de klemstang moet geheel in de grondplaat worden gestoken. Controleer dat deze groef volledig in de grondplaat van de verstekzaag is gestoken. Als de groef zichtbaar is, zit de klem niet goed vast.
- ◆ Draai de klem 180° naar de voorzijde van de verstekzaag.
- ◆ Draai de knop los (4b) zodat u de klem omhoog en omlaag kunt aanpassen, stel vervolgens de klem nauwkeurig af op het werkstuk door middel van de vijfnaafstellingsknop (4a).

Opmerking: Plaats de klem op de tegenovergestelde zijde van de grondplaat bij het schuin afzagen. • **PROBEER ALTIJD EERST ZAAGSNEDEN UIT (ZAAG UITGESCHAKELD) VOORDAT U ZE UITVOERT, ZODAT U HET PAD VAN HET ZAAGBLAD KUNT CONTROLEREN. CONTROLEER DAT DE KLEM NIET DE WERKING VAN DE ZAAG OF DE BESCHERMKAP VERHINDERT.**

Een zaagblad verwisselen of een nieuw zaagblad plaatsen (Afb I, J, K)

Waarschuwing! Beperk het risico van ernstig persoonlijk letsel, zet het gereedschap uit en trek de stekker uit het stopcontact voordat u het verplaatst, accessoires vervangt of aanpassingen uitvoert.

Waarschuwing! Druk nooit de asvergrendelingsknop (31) in terwijl het zaagblad wordt aangedreven of uitloopt.

Waarschuwing! Zaag geen ferro-metalen (materialen die ijzer of staal bevatten) of metselwerk of vezelcementproducten met deze verstekzaag.

Het zaagblad uitnemen

- ◆ Trek de stekker van de zaag uit het stopcontact.
- ◆ Breng de arm in de hoogste stand en duw de onderste beschermkap (14) zo ver mogelijk omhoog.
- ◆ Draai de schroef van de beugel van de beschermkap los, maar verwijder de schroef (13c) niet, tot u beugel zo ver omhoog kunt zetten dat u toegang krijgt tot de schroef (13a) van het zaagblad. De onderste beschermkap zal omhoog blijven staan door de positie van de schroef van de beugel van de beschermkap, zoals wordt getoond in afbeelding I.
- ◆ Druk de asvergrendelingsknop (31) in terwijl u voorzichtig het zaagblad met de hand ronddraait tot de vergrendeling ingrijpt, zoals wordt getoond in afbeelding J.
- ◆ Houd de knop ingedrukt, en draai met de andere hand en de bijgeleverde steeksleutel (30) de schroef (13a) van het zaagblad los. (Naar rechts draaien, linkse draad.)
- ◆ Verwijder de schroef (13a) van het zaagblad, de buitenste klemring (13d), het zaagblad (13) en het zaagbladadapter (13e), als dat wordt gebruikt. De binnenste klemring (13f) kan op de as blijven zitten.

Een zaagblad plaatsen

- ◆ Trek de stekker van de zaag uit het stopcontact.
- ◆ Plaats, terwijl de arm omhoog staat en de onderste beschermkap open staat, het zaagblad op de as, op het zaagbladadapter en zet het tegen de binnenste zaagbladklem met de tanden aan de onderzijde van het zaagblad wijzend naar de achterzijde van de zaag.
- ◆ Monteer de buitenste klemring op de as.
- ◆ Plaats de zaagbladschroef en draai de schroef stevig vast met de bijgeleverde steeksleutel, terwijl u de asvergrendeling vastzet (draai naar links, linkse draad).

De verstekhoek afstellen (Afb. L)

- ◆ Draai de klem (9) los door deze naar links te draaien.
- ◆ Verplaats met behulp van de vrijgave van de verstekvergrendeling (32) de draaiende tafel (11) naar het punt waar de aanwijzer (7) de gewenste hoek op de verstekschaalverdeling (26) aanwijst, draai de klem naar rechts vast.
- ◆ De verstelbare steunvoet (24) helpt het gereedschap in evenwicht te houden. Na iedere aanpassing van de verstekhoek moet u de knop op de voet naar rechts of naar links draaien tot de onderzijde van de grond raakt. Er zijn twee posities afhankelijk van de diepte van uw werkbank.

Zaagdiepte

Als u een groef wilt frezen kunt u de diepte van de zaagsnede instellen met de freesdiepteschroef (29) of het zaagblad.

- ◆ Draai de schroef (29) van de freesdiepte en zet vast met de tegenmoer.

Afstelling van de geleider

Voordat u een schuine zaagsnede uitvoert, moet u controleren dat er niet een deel van het gereedschap contact maakt met de geleider (12) wanneer u de handgreep geheel omlaag of omhoog zet of de wagen geheel naar de laagste positie trekt of duwt. Voordat u het gereedschap in werking stelt moet u controleren dat de schuivende geleider stevig is vastgezet door de vergrendelingschroef (35) van de geleider.

Waarschuwing! Wanneer u schuine zaagsneden uitvoert, moet u de schuivende geleider naar links schuiven en vastzetten. Anders komt de geleider in contact met het zaagblad of een onderdeel van het gereedschap, waardoor de gebruiker ernstig letsel kan oplopen.

Dit gereedschap is uitgerust met een schuivende geleider die normaal in de middelste stand moet staan. Maar wanneer u linkse schuine zaagsneden uitvoert, moet de geleider in de linker positie staan als de kop van het gereedschap ertegen aan komt. Wanneer u klaar bent met het uitvoeren van schuine zaagsneden, moet u eraan denken dat u schuivende geleider terug zet in de oorspronkelijke positie en vastzet door de vergrendelingschroef (35) van de schuivende geleider stevig vast te draaien.

De schuine hoek aanpassen (Afb. M)

Wanneer de wagen naar links kantelt, draai dan de hendel (2) aan de achterzijde van het gereedschap naar links. Ontgrendel de arm door de handgreep flink in slechts een richting te duwen.

- ◆ Kantel het zaagblad tot de aanwijzer (25) naar de gewenste hoek op de schaalverdeling (27) voor schuine zaagsneden wijst.
- ◆ Zet de hendel (2) stevig naar rechts vast zodat de arm vast komt te zitten.

Waarschuwing! Wanneer u het zaagblad kantelt, moet u erop letten dat u de handgreep volledig omhoog haalt. Na het wijzigen van de schuine hoek moet u altijd de arm vastzetten door de hendel naar rechts vast te zetten.

Waarschuwing! Houd, wanneer u het zaagblad kantelt, altijd rekening met het gewicht van de kop en zorg ervoor dat deze niet omvalt.

De werking van de schakelaar (Afb. N)

Let op! Controleer, voordat u de stekker van het gereedschap in het stopcontact steekt, altijd dat de aan/uit-schakelaar (19) goed werkt en terugkeert in de Uit-stand (OFF) wanneer u deze loslaat.

- ◆ Start het gereedschap door met uw wijsvinger de vrijgavehendel (20) voor de veiligheid naar rechts te verplaatsen.
- ◆ Druk op de aan/uit-schakelaar (19).
- ◆ Stop het gereedschap door de aan/uit-schakelaar (19) los te laten.

Waarschuwing! Gebruik het gereedschap nooit zonder een goed werkende aan/uit -schakelaar. Ieder gereedschap zonder een goed werkende schakelaar is ZEER GEVAARLIJK en mag pas weer worden gebruikt nadat het is gerepareerd.

Gebruik van het Zaaglijnsysteem (Afb. N)

Opmerking: De verstekzaag moet op een stopcontact worden aangesloten. Het Zaaglijnsysteem is voorzien van een aan/uit-schakelaar (21). Het Zaaglijnsysteem werkt onafhankelijk van de aan/uit-schakelaar van de verstekzaag.

U kunt de zaag bedienen zonder dat het licht is ingeschakeld. Door een bestaande potloodlijn zagen op een stuk hout:

- ◆ Schakel het Zaaglijnsysteem in en trek vervolgens de bedieningshandgreep (18) omlaag zodat het zaagblad dicht bij het hout komt. De schaduw van het zaagblad verschijnt op het hout.
- ◆ Breng de potloodlijn op één lijn met de rand van de schaduw van het zaagblad. Misschien moet u om de potloodlijn nauwkeurig te kunnen volgen, de verstekhoek of de schuine hoek aanpassen.

Afkortzaagsneden

Een afkortzaagsnede is een zaagsnede haaks op de nerf onder een bepaalde hoek. Een rechte afkortzaagsnede wordt gemaakt met de verstekarm in de stand van nul graden. Stel de verstekarm in op nul en vergrendel de arm en houd het hout stevig op de tafel en tegen de langsgleiding. Schakel, terwijl de railvergrendelingsknop is vastgezet, de zaag in door de aan/uit-schakelaar (19) in te knijpen.

Laat, wanneer de zaag op snelheid komt (ongeveer 1 seconde), de arm gelijkmatig en langzaam zakken en zaag door het hout. Haal de arm pas omhoog als het zaagblad volledig tot stilstand is gekomen.

Wanneer u een werkstuk groter dan 51 x 102 mm zaagt, maak dan een naar buiten gerichte achterwaartse beweging met een losse railvergrendelingsknop. Trek de zaag naar buiten naar u toe, breng de zaagkop omlaag naar het werkstuk toe en voltooi de zaagsnede door de zaag langzaam terug te duwen. Laat het zaagblad tijdens het naar buiten trekken niet in contact komen met de bovenzijde van het werkstuk. De zaag kan dan naar u toe komen, wat kan leiden tot persoonlijk letsel en beschadiging van het werkstuk.

Waarschuwing! Zorg er met behulp van een werkklem altijd voor dat u de controle behoudt en beperk zo het risico van beschadiging van het werkstuk en van persoonlijk letsel.

Opmerking: De knop van de railvergrendeling moet los staan zodat de zaag langs de rails kan glijden.

Afkortzaagsneden in verstek maakt u met de verstekarm in een hoek die niet nul graden is. Deze verstekhoek is vaak 45° voor het maken van hoeken, maar kan worden ingesteld in iedere stand tussen 47° links of 47° rechts. Voer de zaagsnede uit zoals hierboven wordt beschreven.

U kunt door een bestaande potloodlijn zagen op een stuk hout door de hoek zo dicht mogelijk te benaderen. Zaag het hout iets te lang en meet vanaf de potlood en tot de rand van de zaagsnede, bepaal in welke richting de verstekhoek moet worden aangepast en zaag opnieuw. Dit vraagt enige oefening, maar is een veelgebruikte techniek.

Juiste positie van lichaam en hand (Afb. O1 – O4)

Plaats uw lichaam en handen bij het bedienen van de verstekzaag in de juiste positie, dat maakt het zagen gemakkelijker, nauwkeuriger en veiliger. Blijf met uw handen uit de buurt van het zaaggebied. Plaats uw handen niet op minder dan 152 mm afstand van het zaagblad. Houd het werkstuk wanneer u zaagt, stevig op de tafel en tegen de langsgleiding. Houd u handen in die positie totdat de Aan/Uit-schakelaar is vrijgegeven en het zaagblad volledig tot stilstand is gekomen. **PROBEER ALTIJD EERST ZAAGSNEDEN UIT (ZAAG UITGESCHAKELD) VOORDAT U ZE UITVOERT, ZODAT U HET PAD VAN HET ZAAGBLAD KUNT CONTROLEREN. ZET UW HANDEN NIET KRUISLINGS, ZOALS IN AFBEELDING O3 en O4 WORDT GETOOND.** Houd uw voeten stevig op de vloer en bewaar goed uw evenwicht. Volg de zaagarm wanneer u deze naar links of naar rechts verplaatst, en sta iets opzij van het zaagblad. Kijk door de openingen in de beschermkap wanneer u een potloodlijn volgt.

Afstelling schuine hoek haaks op de tafel (Afb. P)

U kunt het zaagblad haaks op het tabelblad uitlijnen door de arm in de neerwaartse positie te vergrendelen met behulp van de vergrendelingspen. Plaats een winkelhaak tegen het zaagblad, en let er daarbij op dat de winkelhaak niet boven op een tand staat. Draai de vergrendelingsknop voor de schuine hoek los en let erop dat de arm stevig tegen de stop voor de schuine hoek van 0° staat. Draai de stelschroef voor het verstek van 0° met de steeksleutel van 10 mm (niet meegeleverd), zodat het zaagblad in een hoek van 0° ten opzichte van de tafel staat, volgens de aanduiding van de winkelhaak.

Zagen van schilderijlijsten, vitrinekastjes en dergelijke vier-zijdige projecten (Afb. Q1, Q2)

U zult het beste begrijpen hoe de hier genoemde items moeten worden gemaakt wanneer u begint met het uitvoeren

van enkele eenvoudige projecten van afvalhout, tot u "begint aan te voelen" hoe u met de zaag kunt werken. Uw zaag is het perfecte gereedschap voor het in verstek zagen van hoeken, zoals de in Afbeelding Q1 getoonde. Schematische voorstelling A in Afbeelding Q2 toont een verbinding die wordt gemaakt door middel van een afstelling van een schuine hoek van de twee stukken materiaal op 45°, zodat een hoek van 90° ontstaat. Voor deze verbinding wordt de verstekarm vergrendeld in de nulpositie en de afstelling van de schuine hoek wordt vergrendeld op 45°. Het hout is met de brede vlakke zijde tegen de tafel geplaatst en met de smalle zijde tegen de langseleiding. De zaagsnede kan ook worden gemaakt door links en rechts verstek te zagen met de brede zijde tegen de langseleiding.

Sierlijsten en andere lijsten zagen (Afb. Q2)

Schematische voorstelling B in Afbeelding Q2 toont een verbinding die is gemaakt door de verstekarm op 45° te plaatsen en de twee stukken materiaal in verstek te zagen zodat een hoek van 90° ontstaat. U kunt dit type verbinding maken door de afstelling van de schuine hoek op nul te stellen en de verstekarm op 45°. Plaats het hout weer met de brede vlakke zijde op de tafel en met de smalle zijde tegen de langseleiding. Afbeeldingen Q1 en Q2 zijn alleen voor vierzijdige objecten. Als het aantal zijden verandert, veranderen ook de verstekhoeken en de schuine hoeken.

Onderstaand schema geeft de juiste instellingen voor het zagen van een uiteenlopende reeks van vormen.

Aantal zijden	Verstekhoek of schuine hoek
4	45°
5	36°
6	30°
7	25,7°
8	22,5°
9	20°
10	18°

Er wordt in de tabel vanuit gegaan dat alle zijden van gelijke lengte zijn. Gebruik voor een vorm die niet in het schema wordt getoond, de volgende formule:

180° gedeeld door het aantal zijden is gelijk aan het verstek (als het materiaal verticaal wordt gezaagd) of aan de schuine hoek (als het materiaal liggend wordt gezaagd).

Samengesteld verstek zagen (afb. Q3)

Een samengesteld verstek is een zaagsnede die wordt gemaakt door een verstekhoek en een schuine hoek tegelijkertijd toe te passen. Dit is het type zaagsnede dat

wordt gebruikt voor het maken van lijsten of kisten met schuine zijde, zoals er een wordt getoond in afbeelding Q3. **Opmerking:** Als de zaaghoek verandert van zaagsnede tot zaagsnede, controleer dan dat de vergrendelingsknop van de schuine hoek en de handgreep voor de verstekvergrendeling stevig zijn vergrendeld. Deze moeten worden vergrendeld nadat u veranderingen hebt aangebracht in de schuine hoek of het verstek.

Basissierlijsten zagen (Afb. R)

Rechte zaagsneden van 90°:

Plaats het hout tegen de langseleiding en houd het op z'n plaats, zoals wordt getoond in Afbeelding R. Schakel de zaag in, laat het zaagblad volledig op snelheid komen en laat de arm gelijkmatig door de zaagsnede zakken.

Zagen van een basissierlijst tot 70 mm / 90 mm hoog verticaal tegen de langseleiding

BES700 - 70 mm voor 216 mm

BES710 - 90 mm voor 254 mm

Plaats het materiaal zoals wordt getoond in Afbeelding R. Alle zaagsneden moeten worden gemaakt met de achterzijde van de sierlijst tegen de langseleiding en met de onderzijde van de sierlijst tegen de tafel.

	Binnenhoek	Buitenhoek
Linkerzijde	Verstek links 45° Behoud linkerzijde van zaagsnede	Verstek rechts 45° Behoud linkerzijde van zaagsnede
Rechterzijde	Verstek rechts 45° Behoud rechterzijde van zaagsnede	Verstek links 45° Behoud rechterzijde van zaagsnede

Materiaal tot 70 mm / 90mm kan worden gezaagd zoals hierboven wordt beschreven.

BES700 - 70 mm voor 216 mm

BES710 - 90 mm voor 254 mm

Kroonlijsten zagen

Kroonlijsten passen alleen goed als zij met uiterste precisie in samengesteld verstek worden gezaagd. De twee vlakke oppervlakken op een gegeven stuk van een kroonlijst hebben een hoek die, wanneer deze hoeken worden samengevoegd, precies 90° zijn. De meeste, maar niet alle, kroonlijsten hebben een bovenste hoek achter (het gedeelte dat vlak tegen het plafond komt) van 52° en een onderste hoek achter (het gedeelte dat vlak tegen de wand komt) van 38°. De verstekzaag heeft speciale vooraf-ingestelde vaste verstekpunten op 31,6° links en rechts voor het onder de juiste hoek zagen van kroonlijsten. Er is ook een merkteken op de schaalverdeling voor de schuine hoek op 33,9°. De tabel voor Instelling van de schuine hoek/Type zaagsnede geeft de juiste instellingen voor het zagen van kroonlijsten.

(De getallen voor de instellingen van het verstek en de schuine hoek zijn zeer nauwkeurig en kunnen niet gemakkelijk precies op uw zaag worden ingesteld.) Aangezien de meeste kamers geen hoeken hebben van precies 90°, zult u toch uw instellingen nauwkeurig moeten afstellen.

Instructies voor het zagen van kroonlijsten die vlak liggen en de functies voor samengesteld verstek gebruiken

- ◆ Leg de lijst met het bredere achterste oppervlak vlak op een zaagtafel (afb. S1).
- ◆ De instellingen hieronder zijn voor alle standaard-kroonlijsten met hoeken van 52° en 38°.

Instelling van de schuine hoek	Type zaagsneden
33,9°	LINKERZIJDE, BINNENHOEK: 1. Bovenzijde van kroonlijst tegen langsgeleiding 2. Verstektabel ingesteld rechts 31,6° 3. Behoud linker uiteinde van zaagsnede
33,9°	RECHTERZIJDE, BINNENHOEK: 1. Onderzijde van kroonlijst tegen langsgeleiding 2. Verstektabel ingesteld links 31,6° 3. Behoud linker uiteinde van zaagsnede
33,9°	LINKERZIJDE, BUITENHOEK: 1. Onderzijde van kroonlijst tegen langsgeleiding 2. Verstektabel ingesteld links 31,6° 3. Behoud rechter uiteinde van zaagsnede
33,9°	RECHTERZIJDE, BUITENHOEK: 1. Bovenzijde van kroonlijst tegen langsgeleiding 2. Verstektabel ingesteld rechts 31,6° 3. Behoud rechter uiteinde van zaagsnede

Opmerking: Bedenk dat, wanneer u de schuine hoeken en verstekhoeken van alle samengestelde verstreken instelt, de hoeken die worden aangeboden voor kroonlijsten zeer nauwkeurig zijn en moeilijk precies kunnen worden ingesteld. Omdat zij gemakkelijk wat kunnen verschuiven en er maar heel weinig kamers zijn die precies vierkante hoeken hebben, moeten alle instellingen op een stukje afvalkroonlijst worden getest.

Alternatieve methode voor het zagen van kroonlijsten

Plaats de kroonlijst onder een hoek tussen de langsgeleiding (12) en de zaagtafel (11), met de bovenzijde van de kroonlijst op de tafel en de onderzijde van de kroonlijst op de langsgeleiding, zoals wordt getoond in afbeelding S2. Het

voordeel van het met deze methode zagen van kroonlijsten is dat er geen schuine zaagsnede nodig is. Er kunnen zeer kleine veranderingen in de verstekhoek worden aangebracht zonder gevolgen voor de schuine hoek. Op deze manier kan bij andere hoeken dan hoeken van 90° de zaag snel en gemakkelijk worden aangepast.

Instructies voor het zagen van kroonlijsten onder een hoek tussen de langsgeleiding en de grondplaat voor alle zaagsneden

Deze zaag kan kroonlijsten van 14 mm x 92 mm genest zagen.

- ◆ Leg de kroonlijst zo in een hoek neer dat de onderzijde van de kroonlijst (het gedeelte dat tegen de wand uitkomt) tegen de langsgeleiding (12) ligt en de bovenzijde van de kroonlijst op de zaagtafel (11) rust, zoals wordt getoond in afbeelding S2.
- ◆ De gehoekte "vlakke gedeelten" aan de achterzijde van de kroonlijst moeten recht tegen de langsgeleiding van de zaagtafel liggen.

	Binnenhoek	Buitenhoek
Linkerzijde	Verstek rechts 45° Behoud rechterzijde van zaagsnede	Verstek links 45° Behoud rechterzijde van zaagsnede
Rechterzijde	Verstek links 45° Behoud linkerzijde van zaagsnede	Verstek rechts 45° Behoud linkerzijde van zaagsnede

Speciale zaagsneden

Maak nooit een zaagsnede als het materiaal niet stevig vastligt op de tafel en tegen de langsgeleiding ligt.

Gebogen materiaal (afb. T1, T2)

Wanneer u gebogen materiaal zaagt, moet u het altijd plaatsen zoals wordt getoond in afbeelding T1 en nooit zoals wordt getoond in afbeelding T2. Wanneer u het materiaal niet goed plaatst zal dat ertoe leiden dat het zaagblad tegen het einde van de zaagsnede vastloopt.

Rond materiaal zagen

Rond materiaal moet worden vastgeklemd of stevig tegen de langsgeleiding worden gehouden zodat het niet kan weggrollen. Dit is uiterst belangrijk wanneer u zaagsneden onder een hoek maakt.

Groot materiaal zagen (afb. U)

Zo nu en dan zult u een stuk hout willen zagen dat iets te groot is en niet onder de onderste beschermkap past. U kunt de beschermkap over het hout plaatsen met de zaag uitgeschakeld en uw rechter hand op de bedieningshandgreep door uw rechterduim buiten het bovenste gedeelte van de beschermkap te plaatsen en de beschermkap precies genoeg

omhoog te rollen zodat er ruimte is voor het hout, zoals wordt getoond in afbeelding U. Laat de beschermkap los voordat u de motor start. Het mechanisme van de beschermkap zal goed functioneren tijdens de zaagsnede. Doe dit alleen wanneer het nodig is. **MAAK DE BESCHERMKAP NOOIT VAST MET TAPE OF WAT DAN OOK, WANNEER U MET DEZE ZAAG WERKT.**

Waarschuwing! Let er altijd op dat het gereedschap is uitgeschakeld en de accu uit het gereedschap is verwijderd, voordat u functies van het gereedschap aanpast of controleert.

Na gebruik

- ◆ Veeg na gebruik spaanders en stof die aan het gereedschap kleven af met een doek of iets dergelijks.
- ◆ Houd de beschermkap van het zaagblad schoon volgens de aanwijzingen in het eerdere hoofdstuk.
- ◆ Smeer de schuivende gedeeltes met machineolie ter voorkoming van roestvorming.
- ◆ Wanneer u het gereedschap opbergt, moet u de wagen geheel naar u toe trekken.

Het gereedschap dragen

- ◆ Let erop dat de stekker uit het stopcontact is getrokken.
- ◆ Zet het zaagblad vast in een schuine hoek van 0° en draai de grondplaat volledig naar de rechter verstekhoek met de schuivende balken (28) vergrendeld.
- ◆ Zet de schuivende balken vast nadat u de wagen geheel naar u toe hebt getrokken.
- ◆ Breng de handgreep volledig omlaag en vergrendel de handgreep in die positie door de vergrendelingspen (17) van de zaagkop in te duwen.
- ◆ Draag het gereedschap aan de draaghandgreep (22).
- ◆ Als u de klem, de stofzak, enz. verwijdert, kunt u het gereedschap gemakkelijker dragen.
- ◆ Draag het gereedschap door met een hand de draaghandgreep (22) en met de andere hand de grondplaat van het gereedschap vast te houden.

Let op! Draag altijd het gereedschap pas nadat u alle bewegende delen hebt vastgezet. De vergrendelingspen (17) van de zaagkop is voor het dragen en opbergen van het gereedschap en is niet bedoeld voor zaagtoepassingen.

Problemen oplossen

Probleem	Mogelijke oorzaak	Oplossing
Motor start niet	Stekker van de zaag zit niet in het stopcontact.	Controlleren dat de stekkers van alle snoeren in het stopcontact zijn gestoken.
Zaaghoek niet nauwkeurig	Verstektafel niet vergrendeld.	Gebruik de vergrendelingshendel van de verstektafel (zie het hoofdstuk De verstekhoek afstellen).
	Te veel zaagsel onder de tafel.	Blaas of zuig het stof weg. Draag oogbescherming.

Probleem	Mogelijke oorzaak	Oplossing
Zaagarm niet volledig omhoog, of beschermkap van het zaagblad kan niet volledig worden gesloten	Storingen van onderdelen.	Neem contact op met servicecentrum.
	Draaiver niet goed teruggeplaatst na onderhoudswerk.	Neem contact op met servicecentrum.
	Opeenhoping van zaagsel.	Reinig en smeer bewegende onderdelen.
	Vergrendelingspen van de zaagkop niet goed ingesteld.	Controleer de vergrendelingspen van de zaagkop en stel de pen af en stel de pen goed in.
Zaagblad loopt vast, loopt aan of trilt	Zaagblad beschadigd.	Vervang het zaagblad.
	Zaagblad is bot.	Vervang het zaagblad of slijp het.
	Niet het goede zaagblad.	Vervang het zaagblad.
	Krom zaagblad.	Vervang het zaagblad.
Zaag trilt en schudt	Zaagblad beschadigd.	Vervang het zaagblad.
	Zaagblad losgeraakt.	Zet de asbout vast.
	Zaag niet goed vastgezet.	Zet de zaag vorst op werkbank, standaard of tafel.
	Werkstuk niet goed ondersteund.	Ondersteun het werkstuk goed vast of klem het goed vast.

Het milieu beschermen



Gescheiden afvalinzameling. Producten en accu's waarop dit symbool is aangebracht, mogen niet bij het normale huishoudafval worden weggegooid.

Producten en accu's bevatten materialen die kunnen worden teruggewonnen of gerecycled en dat doet de vraag naar grondstoffen afnemen. Recycle elektrische producten en accu's volgens de ter plaatse geldende bepalingen. Nadere informatie is beschikbaar op www.2helpu.com.

Technische gegevens

		BES700 Type 1	BES710 Type 1
Spanning	V	230	230
Snelheid	/tpm	4800	5000
Buitendiameter zaagblad	mm	216	254
Diameter van de boring	mm	30	30
Gewicht	kg	12,1	14,9
Dikte zaagblad	mm	1,8	1,8
Max zaagsnede zaagblad	mm	2,8	2,8
Verstek (max. posities)	°	+/- 47	+/- 47
Schuin afzagen (max. posities)	°	47	47
		BES700 Type 1	BES710 Type 1
Max. afkortcapaciteit bij 90 °	mm	305	305
Max. capaciteit bij verstek 45 °	mm	203	203
Max. zaagdiepte bij 90 °	mm	70	90
Max. zaagdiepte bij 45 °	mm	35	40

BES700 - Geluidsdrukniveau, volgens EN 62841:

L_{pa} (geluidsdruk) 97,5 dB(A), Onzekerheid (K) 3 dB(A)

L_{wa} (geluidsvermogen) 108,0 dB(A), Onzekerheid (K) 3 dB(A)

BES710 - Geluidsdrukniveau, volgens EN 62841:

L_{pa} (geluidsdruk) 96,0 dB(A), Onzekerheid (K) 3 dB(A)

L_{wa} (geluidsvermogen) 107,5 dB(A), Onzekerheid (K) 3 dB(A)

EG conformiteitsverklaring
RICHTLIJN VOOR MACHINES



BES700, BES710 Zaag voor samengesteld verstek op rails

Black & Decker verklaart dat de producten die worden beschreven onder "technische gegevens", voldoen aan: EN62841-1:2015, EN62841-3-9:2015+A11:2017

Deze producten voldoen ook aan richtlijn 2006/42/EC, 2014/30/EU en 2011/65/EU.

Neem voor meer informatie contact op met Black & Decker op het volgende adres of raadpleeg de achterzijde van de handleiding.

Ondergetekende is verantwoordelijk voor de samenstelling van het technische bestand en legt deze verklaring af namens Black & Decker.

A. P. Smith
Technical Director
Black & Decker Europe, 210 Bath Road, Slough,
Berkshire, SL1 3YD
Verenigd Koninkrijk
01/03/2019

Garantie

Black & Decker heeft vertrouwen in zijn producten en biedt consumenten een garantie van 24 maanden vanaf de aankoopdatum. Deze garantie vormt een aanvulling op uw wettelijke rechten en beperken deze niet. De garantie is geldig op het grondgebied van de Lidstaten van de Europese Unie en de Europese Vrijhandelszone.

Voor een garantie-aanspraak moet uw aanspraak in overeenstemming zijn met de Voorwaarden en Condities van Black & Decker en moet u een bewijs van aankoop overleggen aan de verkoper of aan een geautoriseerde reparatiemonteur. Voorwaarden en condities van de 2-jarige garantie van Black & Decker en het adres van de vestiging

van het geautoriseerde reparatiecentrum bij u in de buurt, kunt u vinden op internet op www.2helpU.com, of door contact op te nemen met het Black & Decker-kantoor ter plaatse, op het adres dat in deze handleiding wordt vermeld.

Bezoek onze website www.blackanddecker.nl, waar u uw nieuwe BLACK+DECKER-product kunt registreren en informatie kunt verkrijgen over nieuwe producten en speciale aanbiedingen.

ESPAÑOL

(Traducción de las instrucciones originales)

Uso previsto

La sierra ingletadora deslizando BLACK+DECKER BES700, BES710 ha sido diseñada para serrar únicamente madera, plástico y metales no ferrosos. Esta herramienta ha sido concebida para usuarios no profesionales.

Instrucciones de seguridad

Advertencias de seguridad generales para herramientas eléctricas



¡Advertencia! Lea todas las advertencias de seguridad, las instrucciones, las ilustraciones y las especificaciones suministradas con esta herramienta eléctrica.

En caso de no atenderse a las siguientes advertencias e instrucciones de seguridad, podría producirse una descarga eléctrica, incendio o lesión grave.

Guarde todas las advertencias e instrucciones para futuras consultas. El término "herramienta eléctrica" empleado en las advertencias a continuación hace referencia a la herramienta eléctrica con alimentación de red (con cable) o alimentada por batería (sin cable).

1. **Seguridad del área de trabajo**
 - a. **Mantenga limpia y bien iluminada el área de trabajo.**
Las áreas en desorden u oscuras pueden provocar accidentes.
 - b. **No utilice herramientas eléctricas en entornos con peligro de explosión, como aquellos en los que haya líquidos, gases o polvos inflamables.** Las herramientas eléctricas originan chispas que pueden inflamar el polvo o los gases.
 - c. **Mantenga alejados del área de trabajo a los niños y a otras personas cuando emplee la herramienta eléctrica.** Las distracciones pueden hacer que pierda el control de la herramienta.

2. Seguridad eléctrica

- a. **El enchufe de la herramienta eléctrica debe corresponder a la toma de corriente. No modifique nunca el enchufe de ninguna forma. No utilice ningún enchufe adaptador con las herramientas eléctricas conectadas a tierra (puesta a masa).** Los enchufes no modificados y las tomas de corriente compatibles reducen el riesgo de descarga eléctrica.
- b. **Evite que su cuerpo toque partes conectadas o puestas a tierra tales como tuberías, radiadores, cocinas y refrigeradores.** Existe un mayor riesgo de descarga eléctrica si su propio cuerpo está conectado a tierra.
- c. **No exponga las herramientas eléctricas a la lluvia y a la humedad.** La entrada de agua en una herramienta eléctrica aumenta el riesgo de descarga eléctrica.
- d. **Cuide el cable de alimentación. No use nunca el cable para transportar, tirar de la herramienta eléctrica o desenchufarla. Mantenga el cable alejado del calor, aceite, bordes afilados y piezas en movimiento.** Los cables dañados o enredados aumentan el riesgo de descarga eléctrica.
- e. **Al trabajar con la herramienta eléctrica en la intemperie utilice solamente cables de prolongación homologados para su uso en exteriores.** La utilización de un cable adecuado para el uso en exteriores reduce el riesgo de descarga eléctrica.
- f. **Si la utilización de una herramienta eléctrica en un lugar húmedo es inevitable, utilice una fuente protegida con un dispositivo de corriente residual (DCR).** El uso de un dispositivo de corriente residual reduce el riesgo de descarga eléctrica.

3. Seguridad personal

- a. **Esté atento a lo que hace y emplee la herramienta eléctrica con prudencia. No maneje una herramienta eléctrica cuando esté cansado o bajo los efectos de drogas, medicamentos o alcohol.** Un momento de falta de atención cuando se manejan las herramientas eléctricas puede ocasionar lesiones personales graves.
- b. **Utilice un equipo de protección personal. Utilice siempre protección ocular.** El uso de equipo de protección como mascarillas antipolvo, calzado antideslizante, casco o protección auditiva en las condiciones apropiadas reduce la posibilidad de lesiones personales.
- c. **Impida que la herramienta se ponga en marcha accidentalmente. Asegúrese de que el interruptor se encuentre en la posición de apagado antes de conectar la herramienta a la fuente de alimentación o a la batería, o de coger o transportar la herramienta.** Transportar herramientas eléctricas con el dedo puesto en el interruptor o herramientas eléctricas activadoras que

tengan el interruptor encendido puede provocar accidentes.

- d. **Retire las herramientas de ajuste o llaves fijas antes de encender la herramienta eléctrica.** Dejar una llave inglesa u otra llave puesta en una pieza en movimiento de la herramienta eléctrica puede ocasionar lesiones personales.
 - e. **Sea precavido. Mantenga un equilibrio adecuado y la estabilidad constantemente.** Esto permite un mejor control de la herramienta eléctrica en situaciones inesperadas.
 - f. **Lleve puesta una vestimenta de trabajo adecuada. No se ponga ropa suelta o joyas. Mantenga el cabello y la ropa alejados de las piezas en movimiento.** La ropa suelta, las joyas y el pelo largo pueden quedar atrapados en las piezas en movimiento.
 - g. **Siempre que sea posible utilizar unos equipos de aspiración o captación de polvo, asegúrese de que estén montados y de se utilicen correctamente.** El uso de equipo de recogida de polvo puede reducir los riesgos relacionados con el polvo.
 - h. **Evite que la familiaridad adquirida con el uso frecuente de las herramientas le haga confiarse demasiado e ignorar las normas de seguridad de las herramientas.** Una utilización descuidada puede provocar lesiones graves en cuestión de segundos.
- ## 4. Uso y cuidado de herramientas eléctricas
- a. **No sobrecargue la herramienta eléctrica. Use la herramienta eléctrica correcta para su trabajo.** La herramienta eléctrica correcta funcionará mejor y con mayor seguridad si se utiliza de acuerdo con sus características técnicas.
 - b. **No utilice la herramienta eléctrica si no se puede encender y apagar con el interruptor.** Toda herramienta eléctrica que no pueda controlarse con el interruptor es peligrosa y debe ser reparada.
 - c. **Desconecte el enchufe de la herramienta eléctrica de la fuente de alimentación y/o la batería antes de realizar cualquier ajuste, cambiar accesorios o guardar la herramienta.** Dichas medidas de seguridad preventivas reducen el riesgo de poner en marcha accidentalmente la herramienta eléctrica.
 - d. **Guarde las herramientas eléctricas fuera del alcance de los niños y no permita que la utilicen las personas no familiarizadas con su uso o con estas instrucciones.** Las herramientas eléctricas son peligrosas en manos de personas no capacitadas.
 - e. **Realice el mantenimiento de sus herramientas eléctricas y accesorios. Compruebe que las piezas móviles no estén desalineadas ni atascadas, que no haya piezas rotas y cualquier otra condición que pudiera afectar al funcionamiento de la herramienta**

eléctrica. Si la herramienta eléctrica está dañada, llévela para que sea reparada antes de utilizarla. Se ocasionan muchos accidentes por el mal mantenimiento de las herramientas eléctricas.

- f. **Mantenga las herramientas de corte limpias y afiladas.** Hay menos probabilidad de que las herramientas de cortar con bordes afilados se bloqueen, y son más fáciles de controlar.
- g. **Utilice la herramienta eléctrica, los accesorios, los útiles de la herramienta, etc. de acuerdo con estas instrucciones, y tenga en cuenta las condiciones de trabajo y la tarea que va a realizar.** El uso de la herramienta eléctrica para operaciones que no sean las previstas puede ocasionar una situación peligrosa.
- h. **Mantenga las empuñaduras y superficies de agarre secas, limpias y libres de aceite y grasa.** Las empuñaduras resbaladizas y las superficies grasientas impiden aferrar y controlar la herramienta en situaciones imprevistas.

5. Reparaciones

- a. **Haga reparar esta herramienta eléctrica solo por personal técnico autorizado que emplee exclusivamente piezas de repuesto originales.** Así se asegurará que se mantenga la seguridad de la herramienta eléctrica.

Instrucciones de seguridad para todas las ingletadoras

- ◆ **Las ingletadoras están diseñadas para cortar madera o productos de madera. No pueden utilizarse con discos de corte abrasivos para cortar materiales ferrosos como barras, varillas, espárragos, etc.** El polvo abrasivo haría que las piezas móviles, como la protección interior, se atasquen. Las chispas producidas por el corte abrasivo quemarían la protección inferior, la inserción del corte y otras piezas de plástico.
- ◆ **Utilice pinzas para apoyar a la pieza cuando sea práctico. Si sostiene la pieza de trabajo con la mano, debe mantener siempre la mano al menos a 100 mm de cada lado de la hoja de la sierra. No utilice esta sierra para cortar piezas demasiado pequeñas para fijarse con seguridad o para sostenerse con la mano.** Si coloca la mano demasiado cerca de la hoja de la sierra, existe mayor riesgo de lesiones por el contacto con la hoja.
- ◆ **La pieza de trabajo debe estar fija y sujeta hacia la contraguía y la mesa. No alimente la pieza de trabajo en la hoja ni corte nunca “a mano alzada”.** Las piezas de trabajo sin sujeciones o en movimiento podrían ser lanzadas a velocidades elevadas, provocando lesiones.
- ◆ **Presione la sierra a través de la pieza de trabajo. No tire de la sierra a través de la pieza de trabajo. Para**

hacer un corte, eleve la cabeza de la sierra y sáquela por encima de la pieza de trabajo sin cortar, arranque el motor, presione hacia abajo la cabeza de la sierra y presione la sierra a través de la pieza de trabajo.

Si corta en la carrera de tracción es posible que provoque que la hoja de la sierra suba hasta la parte superior de la pieza de trabajo y lance violentamente el conjunto de la hoja hacia el operario.

- ◆ **No cruce la mano por la línea prevista de corte, delante o detrás de la hoja de la sierra.** Es muy peligroso sostener la pieza de trabajo “cruzando la mano”, es decir, sosteniendo la pieza de trabajo a la derecha de la hoja de la sierra con la mano izquierda, o viceversa.
- ◆ **No acerque la mano detrás de la contraguía con ninguna de las manos a menos de 100 mm desde ninguno de los lados, ni para retirar restos de madera ni por ningún otro motivo, mientras la hoja esté girando.** La cercanía a la mano de la hoja de la sierra giratoria podría no percibirse bien y podría sufrir una lesión grave.
- ◆ **Inspeccione la pieza de trabajo antes de cortar. Si la pieza de trabajo está arqueada o abarquillada, fíjela con la cara arqueada exterior hacia la contraguía. Asegúrese siempre de que no haya ningún espacio entre la pieza de trabajo, la contraguía y la mesa a lo largo de la línea de corte.** Las piezas de trabajo curvadas o abarquilladas pueden torcerse o desplazarse y podrían provocar su unión a la hoja de la sierra giratoria mientras se corta. No debe haber clavos ni objetos extraños en la pieza de trabajo.
- ◆ **No utilice la sierra hasta que la mesa no esté libre de cualquier herramienta, residuos de madera, etc., y solo quede la pieza de trabajo.** Los desechos pequeños o las piezas sueltas de madera u otros objetos que contacten con la hoja giratoria podrían salir disparados a gran velocidad.
- ◆ **Corte únicamente una pieza de trabajo cada vez.** Múltiples piezas de trabajo apiladas no pueden fijarse ni asegurarse correctamente y podrían enlazarse a la hoja o moverse durante el corte.
- ◆ **Asegúrese de que la ingletadora esté montada o colocada en una superficie de trabajo plana y firme antes de utilizarla.** Una superficie de trabajo plana y firme reduce el riesgo de que la ingletadora se vuelva inestable.
- ◆ **Planifique el trabajo. Cada vez que cambie el ajuste del bisel o del ángulo del inglete, asegúrese de que la contraguía ajustable esté correctamente ajustada para sujetar la pieza de trabajo, y de que no interfiere con la hoja ni el sistema de protección.** Sin encender la herramienta y sin ninguna pieza de trabajo en la mesa, mueva la hoja de la sierra en un corte

simulado completo para asegurarse de que no habrá perturbaciones ni peligro de cortar la contraguía.

- ◆ **Proporcione soporte adecuado como extensiones de mesa, caballetes de aserrar, etc. para una pieza de trabajo que sea más ancha o larga que la parte superior de la mesa.** Las piezas de trabajo más largas o anchas que la ingletadora pueden inclinarse si no se fijan de forma segura. Si la pieza de corte o de trabajo se inclina, puede elevar la protección inferior o ser lanzada por la hoja giratoria.
- ◆ **No se ayude de otra persona en lugar de usar la extensión de la mesa ni como apoyo adicional.** Un apoyo inestable de la pieza de trabajo puede hacer que la hoja se doble o que la pieza de trabajo se mueva durante la operación de corte, tirando de usted y de la persona que le ayude hacia la hoja de corte.
- ◆ **La pieza de corte no debe agarrotarse ni presionarse de ninguna manera contra la hoja de corte giratoria.** Si está confinada, es decir, si hay topes de longitud, la pieza de corte podría apretarse contra la hoja y ser lanzada violentamente.
- ◆ **Utilice siempre una abrazadera o fijación diseñadas para sujetar adecuadamente el material redondo, como varillas o tubos.** Las varillas tienen tendencia a rodar mientras se cortan, lo que provoca que la hoja "muerda" y usted tire de la pieza con la mano hasta la hoja.
- ◆ **Deje que la hoja alcance su plena velocidad antes de contactar con la pieza de trabajo.** Esto reducirá el riesgo de que la pieza de trabajo sea arrojada con violencia.
- ◆ **Si la pieza de trabajo o la hoja se atascan, apague la ingletadora. Espere a que todas las piezas móviles se hayan detenido y desconecte el enchufe de la fuente de alimentación y/o retire el paquete de baterías. Después, intente liberar el material atascado.** Seguir aserrando con una pieza de trabajo atascada podría provocar la pérdida del control de la ingletadora o daños en la misma.
- ◆ **Tras finalizar el corte, desconecte el interruptor, mantenga hacia abajo la cabeza de la sierra y espere a que la hoja se haya detenido antes de retirar la pieza de corte.** Es peligroso acercar la mano a la hoja en movimiento de inercia.

súbitamente hacia abajo, lo que constituye un riesgo de lesiones.

- ◆ En este manual de instrucciones se describe el uso previsto. La utilización de accesorios o dispositivos auxiliares o la realización de operaciones distintas a las recomendadas en este manual de instrucciones para esta herramienta pueden suponer un riesgo de lesiones corporales y/o de daños materiales.
- ◆ No utilice hojas de sierra agrietadas, dobladas, dañadas ni deformadas.
- ◆ Sustituya el plato de separación cuando esté gastado.
- ◆ No utilice hojas de un diámetro mayor o menor del recomendado. Para conocer la capacidad de corte exacta, consulte las especificaciones técnicas. Utilice solo las hojas especificadas en este manual, que cumplen lo dispuesto en la norma EN 847-1.
- ◆ No utilice hojas de sierra HSS (High Speed Steel, Acero de alta velocidad).



¡Advertencia! El contacto o la inhalación de polvo procedente del uso de la sierra puede ser peligroso para la salud del usuario y de las personas que se encuentren a su alrededor. Utilice una mascarilla antipolvo diseñada específicamente para la protección contra el polvo y los vapores y asegúrese de que las demás personas que se encuentren dentro del área de trabajo o que vayan a entrar en ella también estén protegidas.

- ◆ No trabaje con materiales que contengan amianto. El amianto está considerado como un material cancerígeno.
- ◆ Utilice guantes para manipular las hojas de sierra y materiales brutos (las hojas de sierra deben transportarse en un soporte cuando sea posible).
- ◆ Utilice protección acústica para reducir el riesgo de pérdidas acústicas inducidas.
- ◆ Considere la posibilidad de utilizar hojas diseñadas especialmente para la reducción de ruido.
- ◆ Utilice protección para los ojos para reducir el riesgo de daños personales.
- ◆ Utilice la bolsa para polvo cuando sierre madera.
- ◆ **Sostenga la herramienta eléctrica por las superficies de agarre aisladas cuando realice una operación en la que el accesorio de corte pueda estar en contacto con un cable oculto o con su propio cable.** El contacto de los accesorios de corte con un cable cargado, puede cargar las partes metálicas expuestas de la herramienta eléctrica y producir una descarga eléctrica al usuario.
- ◆ Seleccione la hoja adecuada para el material que vaya a cortar.
- ◆ No utilice el equipo sin la protección colocada en su posición. No utilice la máquina si el bloqueo no funciona o no se ha efectuado un mantenimiento adecuado.
- ◆ Compruebe que el brazo está fijado con seguridad cuando realice cortes biselados.

Instrucciones de seguridad adicionales para ingletadoras

- ◆ **Sostenga la empuñadura firmemente cuando haga un corte incompleto o cuando suelte el interruptor, antes de que la cabeza de la sierra haya bajado completamente.** La acción de frenado de la sierra podría provocar que la cabeza de la sierra fuera arrastrada

- ◆ Antes de empezar a cortar, compruebe que la máquina está estable.
- ◆ Mantenga las empuñaduras secas, limpias y libres de aceite y grasa.
- ◆ Realice un mantenimiento adecuado del área que rodea al aparato y manténgala libre de materiales sueltos, por ejemplo, las astillas y los trozos desprendidos.
- ◆ Asegúrese de que el área de trabajo y en la que se encuentra la máquina disponen de iluminación general o localizada adecuada.
- ◆ No permita la utilización de esta máquina por parte de personas que no dispongan de la formación pertinente.
- ◆ Asegúrese de montar correctamente la hoja antes de utilizarla. Compruebe que la hoja gira en la dirección adecuada. Mantenga la hoja afilada. Siga las instrucciones para lubricar y cambiar los accesorios.
- ◆ Compruebe que la velocidad indicada en la hoja de la sierra sea como mínimo equivalente a la velocidad indicada en la sierra.
- ◆ Asegúrese de que los espaciadores y anillos de husillo utilizados sean adecuados para el propósito indicado por BLACK+DECKER.
- ◆ Las reparaciones en el sistema de guía de la línea de corte deberán ser realizadas por especialistas del servicio técnico autorizado o personal técnico de BLACK+DECKER.
- ◆ Desenchufe la máquina antes de llevar a cabo cualquier operación de mantenimiento o al sustituir la hoja.
- ◆ Nunca lleve a cabo la limpieza, el mantenimiento ni la extracción de trozos de material desprendidos ni de otras partes de la pieza de trabajo de la zona de corte con la máquina en funcionamiento y si la hoja no se encuentra en la posición de reposo.
- ◆ Cuando sea posible, instale la máquina en un banco.
- ◆ Asegúrese de que todos los mandos de bloqueo y empuñaduras estén apretados antes de iniciar cualquier tarea.
- ◆ No utilice nunca la sierra sin la inserción de la mesa.
- ◆ Nunca intente detener el movimiento de la máquina rápidamente atascándola con una herramienta u otro medio contra la hoja, ya que podrían producirse accidentes serios.
- ◆ Antes de utilizar o colocar un accesorio, consulte el manual de instrucciones. El uso inadecuado de un accesorio puede provocar daños.
- ◆ Levante la hoja del accesorio de la mesa en la pieza de trabajo antes de soltar el interruptor de encendido/apagado.
- ◆ No ponga nada contra el ventilador para sostener el eje del motor.
- ◆ La protección de la hoja de su sierra se elevará automáticamente cuando baje el brazo, y bajará sobre la hoja cuando levante el brazo. La protección podrá

levantarse manualmente cuando instale o retire las hojas de sierra o cuando inspeccione la sierra. No eleve nunca la protección de la hoja manualmente si la máquina no se encuentra apagada.

- ◆ Compruebe frecuentemente que las ranuras de ventilación del motor carecen de astillas.
- ◆ No permita que los signos de advertencia de la herramienta eléctrica se vuelvan irreconocibles.
- ◆ No se coloque nunca sobre la herramienta eléctrica. De lo contrario, podrían producirse lesiones graves si la herramienta eléctrica vuelca o entra en contacto con la hoja de sierra.
- ◆ No toque la hoja de sierra después de utilizarla hasta que se haya enfriado. La hoja de sierra se calienta mucho durante su funcionamiento.
- ◆ Para evitar que se produzcan daños provocados por los materiales arrojados, desenchufe la sierra para evitar que se encienda accidentalmente y, a continuación, retire los materiales pequeños.
- ◆ Antes de su utilización y después de las tareas de mantenimiento, es necesario comprobar el correcto funcionamiento de la protección de la hoja. Esta prueba debe llevarse a cabo con la sierra apagada y desenchufada. Es necesario elevar y bajar el brazo para garantizar que la protección cubre la hoja y que la hoja no entra en contacto con la protección. Si la protección no funciona correctamente, un técnico autorizado deberá reparar la herramienta eléctrica. Póngase en contacto con el servicio de atención al cliente de BLACK+DECKER para saber cuál es su servicio técnico más cercano.
- ◆ **Esta sierra ingletadora ha sido diseñada para serrar únicamente madera, plástico y metales no ferrosos.** No utilice la sierra para cortar otros materiales distintos a los aconsejados por el fabricante.
- ◆ No toque la hoja de sierra después de utilizarla hasta que se haya enfriado. La hoja de sierra se calienta mucho durante su funcionamiento.



¡Advertencia! Cortar plástico, madera recubierta de savia y otros materiales puede hacer que el material fundido se acumule en las puntas y el cuerpo de la hoja de la sierra, aumentando el riesgo de que la hoja se recaliente y se atasque durante el corte.

Riesgos residuales

Los siguientes riesgos son inherentes al uso de las sierras: El cumplimiento de las normas de seguridad correspondientes y el uso de dispositivos de seguridad no evitan ciertos riesgos residuales. Dichos riesgos incluyen:

- ◆ Lesiones producidas por el contacto con piezas móviles o giratorias.
- ◆ Deterioro auditivo.

- ◆ Riesgo de accidentes provocados por las piezas no cubiertas de la hoja de sierra giratoria.
- ◆ Riesgo de lesiones al cambiar cualquier pieza, hoja o accesorio.
- ◆ Riesgo de aplastamiento de los dedos al abrir las protecciones.
- ◆ Riesgos para la salud provocados al respirar el polvo originado al serrar madera, especialmente de roble, haya y DM.
- ◆ Lesiones producidas por el uso de una herramienta durante un tiempo demasiado prolongado. Si utiliza una herramienta durante periodos de tiempo demasiado prolongados, asegúrese de realizar pausas con frecuencia.



Los menores de 16 años no deben utilizar este producto.



Mantenga las manos alejadas de la hoja.



Prohibido acercar las manos: mantenga los dedos y los brazos alejados de las hojas giratorias de la sierra.



Utilice guantes para manipular las hojas de la sierra.



No mire fijamente la luz de funcionamiento.



No exponga el producto a la lluvia.



Desconecte el enchufe de red si el cable se daña o enreda.

Ruido

Los valores de emisión de sonido declarado se han calculado según un método de prueba estándar y podrán utilizarse para comparar una herramienta con otra.

Los valores declarados de emisión de ruido también pueden utilizarse en una evaluación preliminar de la exposición.

¡Advertencia! Las emisiones de ruido durante el uso real de la herramienta eléctrica pueden diferir de los valores declarados dependiendo de la forma de uso de la herramienta, especialmente de qué tipo de pieza de trabajo se esté utilizando.

¡Advertencia! Lleve siempre protección acústica personal adecuada. En algunas condiciones y durante el uso, los ruidos de este producto pueden contribuir en la pérdida auditiva. Tenga en cuenta los siguientes factores que influyen en la exposición ante el ruido:

- ◆ utilice hojas de sierra diseñadas para reducir las emisiones de ruido;
- ◆ utilice solo hojas de sierra afiladas; y
- ◆ utilice hojas de sierra diseñadas específicamente para la reducción del ruido.

Etiquetas en la herramienta

Los siguientes pictogramas están colocados, junto al código, en la herramienta:



¡Advertencia! Para reducir el riesgo de lesiones, el usuario debe leer el manual de instrucciones.



Utilice gafas o lentes de seguridad



Póngase protección para el oído



Utilice una mascarilla antipolvo.

Seguridad eléctrica



Esta herramienta lleva un doble aislamiento; por lo tanto, no requiere una toma de tierra. Compruebe siempre que el voltaje suministrado corresponda al indicado en la placa de características.

- ◆ Si se dañara el cable de alimentación, deberá ser sustituido por el fabricante o por un centro de asistencia técnica autorizado de BLACK+DECKER para evitar cualquier situación de riesgo.

Caídas de tensión

Las corrientes irruptoras provocan caídas de tensión de corta duración. En condiciones de suministro de alimentación desfavorables, es posible que otros equipos se vean afectados. Si la impedancia del sistema de suministro de alimentación es inferior a $0,178 \Omega$, es poco probable que se produzcan perturbaciones.

Uso de un cable de prolongación

Utilice siempre un cable de prolongación aprobado que sea adecuado para la entrada de corriente de esta herramienta (consulte los datos técnicos). Antes de utilizar el cable de prolongación, compruebe que no esté dañado, gastado o deteriorado. Si está dañado o defectuoso, sustitúyalo. Si utiliza un carrete de cable, desenrolle siempre el cable completamente. El uso de un cable alargador inadecuado para la entrada de corriente de la herramienta que estuviera dañado o fuese defectuoso podría producir incendios o descargas eléctricas.

Características

Esta herramienta incluye parte o la totalidad de estas características.

1. Barras de guía
2. Tirador de bloqueo del bisel
3. Base de soporte
4. Enganche de la pieza de trabajo
5. Riel de extensión de la mesa
6. Orificios de pernos
7. Indicador del ángulo de inglete
8. Accesorio de la mesa
9. Mando de bloqueo de la sierra ingletadora
10. Placa de base
11. Mesa giratoria
12. Guía trasera
13. Hoja de la sierra
14. Protección de pestaña
15. Soporte de la protección de seguridad
16. Alojamiento del motor
17. Pasador de fijación de la cabeza de la sierra
18. Empuñadura principal
19. Interruptor de activación
20. Palanca de liberación de seguridad
21. Botón de encendido/apagado de la línea de corte
22. Empuñadura de traslado
23. Bolsa de extracción de polvo
24. Pie de apoyo ajustable
25. Indicador del ángulo de bisel
26. Escala del ángulo de ingletes
27. Escala del ángulo de bisel
28. Tornillo de fijación de la barra de guía
29. Profundidad del tornillo de corte
30. Herramienta de cambio de hoja
31. Bloqueo del eje
32. Liberación del bloqueo del inglete
33. Tornillo de fijación del riel de extensión
34. Tornillo de bloqueo de la fijación
35. Tornillo de fijación de la contragúa
36. Arrollamiento para el cable

Montaje

La ingletadora está parcialmente montada en el embalaje.

- ◆ Abra la caja y saque la sierra.
- ◆ Coloque la sierra en una superficie lisa y plana, como un banco de trabajo o una mesa resistente.
- ◆ Examine el diagrama de montaje de la página 2 de este manual para familiarizarse con la sierra y sus diversas partes. La sección de ajustes se referirá a estos términos y deberá saber qué partes son y dónde se encuentran.
- ◆ Cuando la herramienta se envía, la empuñadura está bloqueada en la posición inferior con el pasador de fijación de la cabeza de la sierra (17). Tire del pasador de fijación de la cabeza de la sierra (17) y gírelo 90°, ya sea

en sentido horario o antihorario, como se muestra en la figura A.

- ◆ El tirador de bloqueo del inglete (9) no está montado para su envío. Retire el tirador de bloqueo del inglete (9) de su embalaje y atornillelo en la sierra. Consulte la posición en la figura B.

Riel de extensión de la mesa (fig. C y D)

Su ingletadora se suministra con 2 rieles de extensión de la mesa (5) para apoyar piezas de trabajo largas salientes.

- ◆ Tire del riel de extensión de la mesa (5) hasta la longitud necesaria para la pieza de trabajo, como se muestra en la figura C.
- ◆ Fíjela en su posición apretando el tornillo de fijación del riel de extensión (33) como se muestra en la figura D.
- ◆ Repita el proceso en el lado opuesto.

Base de soporte - Solo BES710 (fig. E)

Su ingletadora BES710 se suministra con 1 base de soporte (3) situada en la parte trasera de la unidad para mejorar la estabilidad.

Montaje del banco (Fig. F)

La ingletadora puede empernarse con cuatro pernos (6a) (no suministrados) en una superficie plana y estable utilizando los orificios para pernos (6) de la base. Esto ayuda a evitar vuelcos y posibles lesiones.

Recogida de polvo (Fig. G)

El uso de la bolsa de polvo (23) permite hacer operaciones de corte limpias y una fácil recogida del polvo.

- ◆ Para fijar la bolsa de polvo (23), ajústela en la boquilla de polvo (23a).
- ◆ Cuando la bolsa de polvo (23) esté medio llena, retirela de la herramienta.
- ◆ Vacíe la bolsa de su contenido golpeándola ligeramente para retirar las partículas adheridas en el interior, las cuales podrían dificultar la recogida posterior.

Nota: Si conecta una aspiradora de taller a su sierra podrá realizar las operaciones de forma más eficaz y limpia.

Instalar la fijación de la pieza de trabajo (fig. H)

- ◆ Inserte la fijación (4) en el orificio (4c), detrás de la contragúa. La fijación deberá orientarse hacia la parte trasera de la sierra de ingletes. La hendidura en la varilla de fijación debe introducirse completamente en la base. Compruebe que esta hendidura esté completamente introducida en la base de la ingletadora. Si la hendidura está visible, la fijación no estará segura.
- ◆ Gire la fijación 180° hacia la parte frontal de la ingletadora.
- ◆ Afloje el tirador (4b) para ajustar la fijación hacia arriba o hacia abajo, y a continuación, utilice el tirador de ajuste preciso (4a) para fijar con firmeza la pieza de trabajo.

Nota: Coloque la fijación en el lado opuesto de la base cuando bisele. REALICE SIEMPRE OPERACIONES EN SECO (CON LA MÁQUINA DESCONECTADA) ANTES DE REALIZAR CORTES ACABADOS, PARA COMPROBAR LA RUTA DE LA CUCHILLA. COMPRUEBE QUE LA FIJACIÓN NO INTERFIERA CON EL TRABAJO DE LA SIERRA O LAS PROTECCIONES.

Cambio o instalación de una nueva hoja en la sierra (figs. I, J, K)

¡Advertencia! Para reducir el riesgo de daños personales graves, apague la herramienta y desconéctela de la fuente de alimentación antes de intentar moverla, cambiar sus accesorios o realizar cualesquiera ajustes.

¡Advertencia! No pulse nunca el botón de bloqueo del eje (31) mientras la hoja esté funcionando o deslizándose.

¡Advertencia! No corte metales férricos (que contengan acero o hierro) ni ladrillos o productos de fibra de cemento con esta ingletadora.

Retirar la hoja

- ◆ Desenchufe la sierra.
- ◆ Levante el brazo hasta la posición superior y presione la protección (14) lo más arriba posible.
- ◆ Afloje pero no retire el tornillo de la abrazadera de protección (13c) hasta que la abrazadera pueda alzarse a una distancia suficiente para acceder al tornillo de la hoja (13a). La protección inferior permanecerá elevada debido a la posición del tornillo de la abrazadera de protección, como se muestra en la figura I.
- ◆ Pulse el botón de bloqueo del eje (31) mientras gira detenidamente la hoja de la sierra de forma manual hasta que se active el bloqueo, como se muestra en la figura J.
- ◆ Manteniendo pulsado el botón, utilice la otra mano y la herramienta suministrada de cambio de la hoja (30) para aflojar el tornillo de la hoja (13a). (Giro en sentido de las agujas del reloj, roscas para zurdos)
- ◆ Retire el tornillo de la hoja (13a), la arandela de la fijación exterior (13d), la hoja (13) y el adaptador de la hoja (13e), si está colocado. La arandela de fijación interior (13f) podrá dejarse en el eje.

Instalar una hoja

- ◆ Desenchufe la sierra.
- ◆ Con el brazo levantado, la protección abierta y la abrazadera de la protección elevada, coloque la hoja en el eje, en el adaptador de la hoja y contra la fijación de la hoja interior, con los dientes de la parte inferior de la hoja mirando hacia la parte trasera de la sierra.
- ◆ Una la arandela de fijación exterior en el eje.
- ◆ Instale la tuerca de la hoja y, activando el bloqueo del eje, apriete la tuerca firmemente con la llave suministrada (gire en sentido antihorario: rosca a izquierdas).

Ajuste del ángulo de ingletes (fig. L)

- ◆ Afloje el agarre (9) girándolo en sentido antihorario.
- ◆ Utilice la liberación de bloqueo del inglete (32) para mover la mesa giratoria (11) a la posición en la que el indicador (7) apunta al ángulo deseado en la escala del inglete (26), apriete el puño en sentido horario.
- ◆ El pie de apoyo ajustable (24) sirve para mantener la herramienta en equilibrio. Después de cada ajuste del ángulo de inglete, gire el tirador del pie en sentido horario o antihorario hasta que la parte inferior toque el suelo. Existen dos posiciones, dependiendo de la profundidad de su banco de trabajo.

Profundidad de corte

Si desea cortar una hendidura, puede ajustar la profundidad del corte mediante el tornillo de profundidad de corte (29) o la hoja.

- ◆ Gire el tornillo de profundidad de corte (29) y fíjelo con la contratuercas.

Ajuste de la contraguía

Antes del corte de bisel, asegúrese de que ninguna parte de la herramienta toque la contraguía (12) al bajar y subir la empuñadura totalmente en cualquier posición, ni al tirar o empujar el carro toda la trayectoria hasta la posición más baja. Antes de utilizar la herramienta, asegúrese de que la contraguía está firmemente asegurada con el tornillo de fijación de la contraguía (35).

¡Advertencia! Al realizar cortes de bisel, deslice la contraguía hacia la izquierda y asegúrela. De lo contrario, tocará la hoja o una parte de la herramienta y puede provocar lesiones graves al usuario.

Esta herramienta está equipada con la contraguía deslizante, la cual suele estar en posición central. Sin embargo, al realizar cortes de bisel a la izquierda, fíjela a la izquierda si la cabeza de la herramienta la toca. Cuando las operaciones de corte de bisel se han completado, no se olvide de volver a colocar la contraguía deslizante en su posición inicial y de asegurarla firmemente apretando el tornillo de fijación de la contraguía (35).

Ajuste del ángulo de ingletes (fig. M)

Al inclinar el carro a la izquierda, afloje la palanca (2) en la parte trasera de la herramienta en sentido antihorario. Desbloquee el brazo presionando la empuñadura con algo más de fuerza solo en una dirección.

- ◆ Incline la hoja de la sierra hasta que el indicador (25) apunte al ángulo deseado en la escala de bisel (27).
- ◆ Apriete la palanca firmemente (2) en sentido horario para fijar el brazo.

¡Advertencia! Al inclinar la hoja de sierra, asegúrese de elevar la empuñadura completamente. Después de cambiar el ángulo de bisel, fije siempre el brazo apretando la palanca en sentido horario.

¡Advertencia! Al inclinar la hoja de la sierra tenga siempre en cuenta el peso de la cabeza y asegúrese de evitar que choque.

Conmutación (fig. N)

¡Precaución! Antes de conectar la herramienta, compruébela siempre para ver que el interruptor de conmutación (19) funciona adecuadamente y regresa a la posición de apagado una vez que se suelta.

- ◆ Para arrancar la herramienta, mueva la palanca de liberación de seguridad (20) hacia la derecha con el dedo índice.
- ◆ Presione el interruptor de conmutación (19).
- ◆ Para detener la herramienta, suelte el interruptor de conmutación (19).

¡Advertencia! No utilice nunca la herramienta si el interruptor de conmutación no se encuentra totalmente operativo. Una herramienta con un interruptor inoperante es ALTAMENTE PELIGROSA y debe ser reparada antes de usarse.

Uso del sistema de línea de corte (fig. N)

Nota: La ingletadora debe conectarse a una fuente de alimentación. El sistema de la línea de corte está equipado con un interruptor de encendido/apagado (21). El sistema de la línea de corte es independiente del interruptor de activación de la ingletadora.

La luz no necesita estar activada para poder operar la sierra. Para cortar a través de una línea existente trazada en una pieza de madera:

- ◆ Encienda el sistema de la línea de corte y, a continuación, tire hacia abajo de la empuñadura de manejo (18) para acercar la hoja de la sierra a la madera. La sombra de la hoja aparecerá en la madera.
- ◆ Alinee la línea trazada con el borde de la sombra de la hoja. Quizás tenga que ajustar los ángulos de bisel o de inglete para hacer que coincida exactamente con la línea trazada.

Cortes cruzados

Un corte cruzado se realiza cortando la madera en la veta en cualquier ángulo. Un corte cruzado recto se realiza con el brazo de ingletes en la posición de cero grados. Fije y bloquee el brazo de ingletes en cero y sostenga firmemente la madera sobre la mesa y hacia la contraguía. Con el tirador de bloqueo del riel apretado, encienda la sierra apretando el interruptor de activación (19).

Cuando la sierra alcance la velocidad (1 segundo aproximadamente), baje suavemente el brazo y empiece a cortar poco a poco la madera. Deje que la hoja se detenga al completo antes de levantar el brazo.

Cuando corte cualquier pieza superior más larga de 51 mm x 102 mm, utilice un movimiento de vaivén con el tirador de bloqueo de riel aflojado. Tire de la sierra hacia usted, baje la cabeza de la sierra hacia la pieza de trabajo y empuje suavemente la sierra hacia atrás para completar el corte. No permita que la hoja de la sierra entre en contacto con la parte superior de la pieza de trabajo mientras tira de ella. La sierra podrá lanzarse frente a Vd., provocándole probablemente daños personales o daños en la pieza de trabajo.

¡Advertencia! Utilice siempre una sujeción para mantener el control y reducir el riesgo de daños a la pieza de trabajo y lesiones personales.

Nota: El tirador de bloqueo del riel debe estar aflojado para permitir que la sierra se deslice por sus rieles.

Los cortes cruzados de inglete se hacen con el brazo de ingletes en un ángulo distinto de cero. Este ángulo se fija a menudo en 45° para realizar esquinas, aunque puede fijarse en cualquier posición desde cero hasta 47° a la izquierda o 47° a la derecha. Haga el corte como se ha descrito anteriormente.

Para cortar a través de una línea existente trazada en una pieza de madera, haga coincidir el ángulo lo más cerca posible. Haga un corte un poco más largo de la madera y mida desde la línea trazada hasta el borde del corte para determinar en qué dirección ajustar el ángulo de inglete y volver a cortar. Necesitará algo de práctica, pero es una técnica frecuente.

Posición del cuerpo y de las manos (Fig. O1 – O4)

La correcta colocación del cuerpo y de las manos al utilizar la sierra de mesa permite que el corte sea más fácil, preciso y seguro. No coloque nunca las manos cerca del área de corte. Coloque las manos a una distancia mínima de 152 mm de la hoja. Sostenga firmemente la pieza de trabajo a la mesa y a la contraguía cuando corte. Mantenga sus manos en posición hasta que haya soltado el interruptor y la hoja se haya detenido al completo. REALICE SIEMPRE SIMULACROS (CON LA MÁQUINA DESCONECTADA) ANTES DE REALIZAR CORTES ACABADOS PARA COMPROBAR LA RUTA DE LA CUCHILLA. NO CRUCE LAS MANOS, TAL Y COMO SE INDICA EN LAS FIGURAS O3 y O4. Mantenga ambos pies con firmeza en el suelo y mantenga un equilibrio adecuado. A medida que vaya moviendo el brazo de ingletes a izquierda y derecha, sígalo y permanezca ligeramente a un

lado de la hoja de la sierra. Observe a través de las lamas de la protección cuando siga una línea trazada.

Ajuste de la escuadra de bisel a la mesa (fig. P)

Para alinear la escuadra de la hoja a la mesa, bloquee el brazo en la posición inferior con la clavija inferior de bloqueo. Coloque una escuadra frente a la hoja, comprobando que la escuadra no esté sobre un diente. Afloje el tirador de bloqueo de bisel y compruebe que el brazo se fije firmemente contra el tope de bisel de 0°. Gire el tornillo de ajuste del bisel de 0° con la llave de 10 mm (no incluida) en la medida de lo necesario, para que la hoja se encuentre en un bisel de 0° con la mesa de acuerdo con la medida de la escuadra.

Corte de marcos de fotos, marcos expositores y similares

Cuatro lados (figs. Q1, Q2)

Para entender mejor cómo hacer estas operaciones, le sugerimos que haga algunas pruebas sencillas utilizando madera de desecho, hasta que se acostumbre a la "sensación" de la sierra. Su sierra es la herramienta ideal para realizar cortes de esquina como el indicado en la figura Q1. El dibujo A de la figura Q2 muestra una unión realizada utilizando el ajuste de bisel para biselar los bordes de los dos tableros a 45° cada uno, para hacer una esquina de 90°. Para esta unión, el brazo de ingletes se ha bloqueado en la posición cero y el ajuste de bisel se ha bloqueado en 45°. La madera se coloca con el lado plano y ancho hacia la mesa y el borde estrecho hacia la contraguía. El corte también podría realizarse con un corte de inglete hacia la derecha y hacia la izquierda, con la parte ancha hacia la contraguía.

Corte de molduras ajustadas y otros marcos (fig. Q2)

El croquis B de la figura Q2 muestra una unión realizada fijando el brazo de ingletes en 45° para cortar los dos tableros con vistas a formar una esquina de 90°. Para realizar este tipo de unión, fije el ajuste de bisel en cero y el brazo de ingletes en 45°. Una vez más, coloque la madera con el lado plano y ancho hacia la mesa y el borde estrecho frente a la contraguía. Las figuras Q1 y Q2 solo son objetos de cuatro lados. A medida que cambia el número de lados, también cambiarán los ángulos de inglete y bisel.

La tabla siguiente muestra los ángulos adecuados para una serie de formas.

Número de caras	Inglete o ángulo de bisel
4	45°
5	36°
6	30°

Número de caras	Inglete o ángulo de bisel
7	25,7°
8	22,5°
9	20°
10	18°

En la tabla se asume que todos los lados tienen la misma longitud. En el caso de las formas que no se indican en la tabla, utilice la siguiente fórmula: 180° dividido por la cantidad de lados es igual al inglete (si el material se corta verticalmente) o al ángulo de bisel (si el material se corta en horizontal).

Corte de ingletes compuestos (fig. Q3)

Un inglete compuesto es un corte realizado utilizando un ángulo de inglete y de bisel al mismo tiempo. Es el tipo de corte utilizado para realizar marcos o cajas con lados inclinados, como se muestra en la figura Q3.

Nota: Si el ángulo de corte varía de corte a corte, compruebe que el tirador de bloqueo de bisel y la maneta de bloqueo de inglete estén firmemente bloqueados. Éstos deberán estar bloqueados tras realizar cualquier cambio en el bisel o el inglete.

Corte de molduras de base (fig. R)

Cortes rectos de 90°:

Coloque la madera hacia la contraguía y sosténgala en su lugar como se muestra en la figura R. Encienda la sierra, deje que la hoja alcance la velocidad total y baje el brazo de la sierra suavemente hacia el corte.

Corte de molduras de base de hasta 70 mm / 90 mm de alto en vertical hacia la contraguía.

BES700 - 70 mm para 216 mm
BES710 - 90 mm para 254 mm

Coloque el material tal y como se muestra en la figura R. Todos los cortes deberán ser realizados con la parte trasera de la moldura hacia la contraguía y la parte inferior de la moldura hacia la mesa.

	Esquina interior	Esquina exterior
Lateral izquierdo	Inglete izquierdo de 45° Guarde el lado izquierdo del corte	Inglete derecho de 45° Guarde el lado izquierdo del corte
Lateral derecho	Inglete derecho de 45° Guarde el lado derecho del corte	Inglete izquierdo de 45° Guarde el lado derecho del corte

El material de hasta 70 mm / 90 mm puede cortarse como se indicó previamente.

BES700 - 70 mm para 216 mm

BES710 - 90 mm para 254 mm

Corte de molduras de cornisa

Para lograr el ajuste adecuado, la moldura de cornisa debe realizarse mediante un corte compuesto de ingletes con extrema precisión. Las dos superficies planas en una pieza determinada de moldura de cornisa son ángulos que, al unirse, son exactamente iguales a 90°. La mayoría de las molduras de cornisa tienen un ángulo trasero superior (la sección plana que da al techo) de 52° y un ángulo trasero inferior (la parte que da contra la pared) de 38°. La ingletadora tiene puntos especiales de bloqueo prefijados del inglete a 31,6° a izquierda y derecha, para cortar la moldura de corte en el ángulo adecuado. Del mismo modo, hay una marca en la escala de bisel a 33,9°. La tabla de ajuste del bisel / tipo de corte muestra la configuración adecuada para los cortes de moldura en corona. (Los números del ajuste de inglete y de bisel son muy precisos y no son fáciles de ajustar en la sierra.) Puesto que la mayoría de los espacios carecen de ángulos de exactamente 90°, tendrá que personalizar sus ajustes en cualquier caso.

Instrucciones para cortar molduras de cornisa en horizontal y utilizando las características compuestas

- ◆ Coloque la moldura con la superficie trasera ancha hacia abajo en horizontal en la mesa de la sierra (fig. S1).
- ◆ Los ajustes de abajo son para todas las molduras de cornisa estándar con ángulos de 52° y 38°.

Ajuste del bisel	Tipo de corte
33,9°	LADO IZQUIERDO, ESQUINA INTERIOR: 1. Parte superior de la moldura hacia la contraaguía 2. Ajuste de la mesa de inglete a la derecha de 31,6° 3. Guarde el lado izquierdo del corte
33,9°	LADO DERECHO, ESQUINA INTERIOR: 1. Parte inferior de la moldura hacia la contraaguía 2. Ajuste de la mesa de inglete a la izquierda de 31,6° 3. Guarde el lado izquierdo del corte

Ajuste del bisel	Tipo de corte
33,9°	LADO IZQUIERDO, ESQUINA EXTERIOR: 1. Parte inferior de la moldura hacia la contraaguía 2. Ajuste de la mesa de inglete a la izquierda de 31,6° 3. Guarde el lado derecho del corte
33,9°	LADO DERECHO, ESQUINA EXTERIOR: 1. Parte superior de la moldura hacia la contraaguía 2. Ajuste de la mesa de inglete a la derecha de 31,6° 3. Guarde el lado derecho del corte

Nota: Al ajustar los ángulos de bisel y de inglete de todos los ingletes compuestos, recuerde que los ángulos presentados para las molduras de cornisa son muy precisos y es difícil ajustarlos con exactitud. Puesto que es fácil que se desplacen ligeramente y muy pocos espacios tienen esquinas exactamente cuadradas, todos los ajustes deben probarse primero en maderas sobrantes.

Método alternativo para cortar molduras de cornisa

Coloque la moldura a un ángulo entre la contraaguía (12) y la mesa de la sierra (11), con la parte superior de la moldura en la mesa y la parte inferior de la moldura en la contraaguía, como se muestra en la figura S2. La ventaja de cortar molduras de cornisa con este método es que no es necesario ningún corte de bisel. En el ángulo de ingletes pueden realizarse cambios pequeños sin que ello afecte al ángulo de bisel. De esta forma, cuando se registran esquinas con un ángulo distinto a 90°, la sierra puede ajustarse a las mismas de forma rápida y fácil.

Instrucciones para el corte de molduras de cornisa anguladas entre la contraaguía y la base de la sierra para todos los cortes

Esta sierra puede cortar hasta 14 mm x 92 mm de moldura de cornisa encajada.

- ◆ Angule la moldura para que la parte inferior de la misma (la parte que va hacia la pared cuando se instala) quede hacia la contraaguía (12) y la parte superior descance sobre la mesa de la sierra (11), como se muestra en la figura S2.
- ◆ Las "caras" anguladas de la parte trasera de la moldura deben permanecer encuadradas en la contraaguía y la mesa de la sierra.

	Esquina interior	Esquina exterior
Lateral izquierdo	Inglete derecho a 45° Guarde el lado derecho del corte	Inglete izquierdo a 45° Guarde el lado derecho del corte
Lateral derecho	Inglete izquierdo a 45° Guarde el lado izquierdo del corte	Inglete derecho a 45° Guarde el lado izquierdo del corte

Cortes especiales

No realice nunca cortes a menos que el material esté asegurado en la mesa y hacia la contraguía.

Material arqueado (fig. T1, T2)

Cuando corte un material arqueado, colóquelo siempre tal y como se indica en la figura T1 y nunca como se muestra en la figura T2. Si coloca el material de forma incorrecta, la hoja se contraerá cerca del final del corte.

Corte de material redondo

El material redondeado debe ser fijado o sostenido firmemente con la contraguía para evitar que ruede. Esto es muy importante a la hora de realizar cortes angulares.

Corte de materiales grandes (fig. U)

Ocasionalmente se encontrará con piezas de trabajo demasiado grandes para encajar bajo la protección inferior. Para quitar la protección de la madera, con la sierra apagada y la mano derecha en la empuñadura de manejo, coloque el pulgar derecho fuera de la porción superior de la protección y arrolle la protección hacia arriba lo suficiente para dejar espacio a la madera, como se muestra en la figura U. Suelte la protección antes de arrancar el motor. El mecanismo de protección funcionará adecuadamente durante el corte. Haga esto solo cuando sea necesario. **NUNCA UNA, PEGUE NI MANTENGA DE CUALQUIER OTRO MODO LA PROTECCIÓN ABIERTA CUANDO OPERE ESTA SIERRA.**
¡Advertencia! Asegúrese siempre de que la herramienta esté apagada y desconectada antes de ajustar o revisar la función de la herramienta.

Después del uso

- ◆ Después del uso, limpie con un paño o similar las virutas y el polvo adheridos a la herramienta.
- ◆ Mantenga limpia la protección de la hoja de acuerdo con las instrucciones de la sección vista anteriormente.
- ◆ Lubrique las partes deslizantes con aceite para maquinaria para evitar la herrumbre.

- ◆ Al guardar la herramienta, tire del carro totalmente hacia usted.

Portar la herramienta

- ◆ Compruebe que el aparato esté desenchufado.
- ◆ Asegure la hoja en el ángulo de bisel de 0° y gire la base totalmente hacia el ángulo de inglete derecho con el tornillo de fijación de la barra deslizante (28).
- ◆ Asegure las barras deslizantes después de tirar del carro totalmente hacia usted.
- ◆ Baje totalmente la empuñadura y bloquéela en la posición presionando el pasador de fijación de la cabeza de la sierra (17).
- ◆ Lleve la herramienta sujetando la empuñadura de transporte (22).
- ◆ Si quita la fijación, la bolsa del polvo, etc., podrá llevar la herramienta con más facilidad.
- ◆ Lleve la herramienta sujetando con una mano la empuñadura de transporte (22) y con la otra mano sosteniendo la base de la herramienta.

¡Precaución! Asegure siempre todas las partes móviles antes de llevar la herramienta. El pasador de fijación de la cabeza de la sierra (17) solo sirve para el transporte y el almacenamiento, y no para realizar ninguna operación de corte.

Resolución de problemas

Problema	Causa posible	Solución
El motor no arranca.	La sierra no está enchufada.	Compruebe que todos los cables estén conectados.
Ángulo de corte inexacto	Mesa de inglete desbloqueada	Utilice la palanca de bloqueo de la mesa de ingletes (consulte la sección "Ajuste del ángulo de ingletes").
	Demasiado serrín de madera debajo de la mesa.	Aspire o sople el polvo. Use siempre protección para los ojos.
El brazo de corte no puede alzarse totalmente, o la protección de la hoja no puede cerrarse totalmente.	Fallo de las piezas	Contacte con el centro de mantenimiento.
	El muelle de pivote no se ha sustituido después del mantenimiento.	Contacte con el centro de mantenimiento.
	Acumulación de serrín de la madera.	Limpie y lubrique las piezas móviles.
	El pasador de fijación de la cabeza de la sierra no se ha fijado correctamente.	Compruebe, ajuste y fije correctamente el pasador de fijación de la cabeza de la sierra.
La hoja se traba, se atasca o se sacude.	Hoja de la sierra dañada	Sustituya la hoja.
	La hoja está desafilada.	Sustituya o afile la hoja.
	Hoja inadecuada	Sustituya la hoja.
La sierra vibra o se agita	Hoja abarquillada	Sustituya la hoja.
	Hoja de la sierra dañada	Sustituya la hoja.
	Hoja de la sierra aflojada	Apriete los pernos del husillo.
	Sierra incorrectamente fijada.	Fije la sierra al banco de trabajo, al soporte o a la mesa.
	Pieza de trabajo no apoyada correctamente.	Apoye o fije la pieza de trabajo correctamente.

Protección del medioambiente



Recogida selectiva. Los productos y las baterías marcadas con este símbolo no se deben eliminar con los residuos domésticos normales.

Los productos y las baterías que contienen materiales que se puedan recuperar o reciclar reducen la demanda de materias primas. Recicle los productos eléctricos y las baterías de conformidad con la normativa local. Puede obtener más información en www.2helpU.com.

Datos técnicos

		BES700 Tipo 1	BES710 Tipo 1
Tensión	V	230	230
Velocidad	/min	4800	5000
Diámetro externo de la hoja	mm	216	254
Diámetro de la broca	mm	30	30
Peso	kg	12,1	14,9
Grosor de la hoja	mm	1,8	1,8
Separación máx. de la hoja	mm	2,8	2,8
Ingleteado (posiciones máximas)	°	+/- 47	+/- 47
Bisel (posiciones máximas)	°	47	47
Capacidad máxima de corte cruzado de 90°	mm	305	305
Capacidad máxima de ingleteado de 45°	mm	203	203
Profundidad máxima de corte a 90°	mm	70	90
Profundidad máxima de corte a 45°	mm	35	40

BES700 - Nivel de presión acústica según EN 62841:

L_{PA} (presión acústica) 97,5 dB(A), incertidumbre (K) 3 dB(A)

L_{WA} (potencia acústica) 108,0 dB(A), incertidumbre (K) 3 dB(A)

BES710 - Nivel de presión acústica según EN 62841:

L_{PA} (presión acústica) 96,0 dB(A), incertidumbre (K) 3 dB(A)

L_{WA} (potencia acústica) 107,5 dB(A), incertidumbre (K) 3 dB(A)

Declaración de conformidad CE

DIRECTIVA DE MÁQUINAS



BES700, BES710 Sierra ingletadora deslizando

Black & Decker declara que los productos descritos en la "ficha técnica" cumplen con:
EN62841-1:2015, EN62841-3-9:2015+A11:2017

Estos productos también cumplen con las directivas 2006/42/CE, 2014/30/UE y 2011/65/UE.

Para más información, póngase en contacto con Black & Decker en la siguiente dirección o consulte la parte posterior del manual.

El abajo firmante es el responsable de la compilación del archivo técnico y realiza esta declaración en representación de Black & Decker.

A. P. Smith
Director Técnico

Black & Decker Europa, 210 Bath Road, Slough,
Berkshire, SL1 3YD
Reino Unido
01/03/2019

Garantía

Black & Decker confía en la calidad de sus productos y ofrece a los consumidores una garantía de 24 meses a partir de la fecha de compra. Esta garantía es adicional a sus derechos legales y no los menoscaba en modo alguno. La garantía es válida dentro de los territorios de los Estados Miembros de la Unión Europea y del Área de Libre Comercio Europea.

Para reclamar la garantía, la reclamación se debe presentar de conformidad con las condiciones de Black & Decker. Tendrá que adjuntar un justificante de compra al vendedor o al agente técnico autorizado. Las condiciones de la garantía de 2 años de Black & Decker y la ubicación de su agente técnico autorizado más cercano se pueden obtener en Internet en www.2helpU.com o poniéndose en contacto con su oficina local de Black & Decker en la dirección que se indica en este manual.

Visite nuestro sitio web www.blackanddecker.co.uk para registrar su nuevo producto BLACK+DECKER y recibir noticias sobre nuevos productos y ofertas especiales.

Utilização pretendida

A serra de esquadria radial BES700, BES710 da BLACK+DECKER foi concebida para serrar apenas madeira, plástico e metais não ferrosos. Esta ferramenta destina-se a utilização por utilizadores privados não profissionais.

Instruções de segurança

Avisos de segurança gerais para ferramentas eléctricas



Atenção! Leia todos os avisos de segurança, instruções, ilustrações e especificações

fornecidos com a ferramenta eléctrica. O não cumprimento dos seguintes avisos e instruções indicados abaixo pode resultar em choque eléctrico, incêndio e/ou ferimentos graves.

Guarde todos os avisos e instruções para futura referência.

A expressão "ferramenta eléctrica" utilizada a seguir refere-se a ferramentas eléctricas com ligação à corrente eléctrica (com cabo) ou com bateria (sem fios).

1. Segurança na área de trabalho

- Mantenha a área de trabalho limpa e bem iluminada.** As áreas desorganizadas ou escuras são propensas a acidentes.
- Não trabalhe com ferramentas eléctricas em áreas com risco de explosão, nas quais se encontrem líquidos, gases ou poeiras inflamáveis.** As ferramentas eléctricas criam faíscas que poderão inflamar estas poeiras ou vapores.
- Mantenha as crianças e outras pessoas afastadas durante a utilização da ferramenta eléctrica.** As distrações podem levar à perda do controlo da ferramenta.

2. Segurança eléctrica

- As fichas da ferramenta eléctrica devem encaixar na tomada. Nunca modifique a ficha de forma alguma. Não utilize fichas adaptadoras com ferramentas eléctricas ligadas à terra.** As fichas não modificadas e as tomadas compatíveis reduzem o risco de choque eléctrico.
 - Evite que o corpo entre em contacto com superfícies ligadas à terra, como tubos, radiadores, fogões e frigoríficos.** Se o seu corpo estiver "ligado" à terra, o risco de choque eléctrico é maior.
 - As ferramentas eléctricas não podem ser expostas a chuva nem humidade.** A entrada de água numa ferramenta eléctrica aumenta o risco de choque eléctrico.
 - Manuseie o cabo com cuidado. Nunca o utilize para transportar, puxar ou desligar a ferramenta eléctrica. Mantenha o cabo afastado de fontes de calor, substâncias oleosas, arestas afiadas ou peças**
- móveis.** Os cabos danificados ou emaranhados aumentam o risco de choque eléctrico.
- Quando trabalhar com uma ferramenta eléctrica ao ar livre, utilize uma extensão adequada para esse fim.** A utilização de um cabo adequado para uso ao ar livre reduz o risco de choque eléctrico.
 - Se for inevitável trabalhar com uma ferramenta eléctrica num local húmido, utilize um dispositivo de corrente residual (RCR).** A utilização de um DCR reduz o risco de choque eléctrico.
- Segurança pessoal**
 - Esteja atento, preste atenção ao que está a fazer e seja prudente quando trabalhar com a ferramenta eléctrica. Não utilize uma ferramenta eléctrica quando estiver cansado ou sob o efeito de drogas, álcool ou medicamentos.** Um momento de distração durante a utilização de ferramentas eléctricas pode resultar em ferimentos graves.
 - Utilize equipamento de protecção individual. Use sempre protecção ocular.** O equipamento de protecção, como, por exemplo, uma máscara contra o pó, sapatos de segurança antiderrapantes, um capacete de segurança ou uma protecção auditiva, usado nas condições apropriadas, reduz o risco de ferimentos.
 - Evite arranques involuntários. Certifique-se de que o botão está desligado antes de ligar a ferramenta à corrente eléctrica e/ou as baterias, e antes de levantar ou transportar a ferramenta.** Se mantiver o dedo sobre o interruptor ao transportar ferramentas eléctricas ou se as ligar à fonte de alimentação com o interruptor ligado, isso pode dar origem a acidentes.
 - Retire eventuais chaves de ajuste ou chaves de fendas antes de ligar a ferramenta eléctrica.** Uma chave de fenda ou de ajuste fixada numa peça rotativa da ferramenta eléctrica pode causar ferimentos.
 - Não tente chegar a pontos fora do alcance. Mantenha sempre os pés bem apoiados e um equilíbrio apropriado.** Desta forma, será mais fácil controlar a ferramenta eléctrica em situações inesperadas.
 - Use vestuário adequado. Não use roupa larga ou joias. Mantenha o cabelo e a roupa afastados das peças móveis.** As roupas largas, as jóias ou o cabelo comprido podem ficar presos nestas peças.
 - Se for prevista a montagem de dispositivos de extracção e recolha de poeiras, assegure-se de que estão ligados e que são utilizados de forma correcta.** A utilização de dispositivos de extracção de partículas pode reduzir os riscos relacionados com as mesmas.
 - Não permita que o facto de estar familiarizado com a utilização frequente das ferramentas o torne complacente e ignore os princípios de segurança da**

ferramenta. Uma acção irreflectida pode causar ferimentos graves numa fracção de segundos.

4. Utilização e manutenção da ferramenta eléctrica

- a. **Não sobrecarregue a ferramenta eléctrica. Utilize a ferramenta eléctrica correta para o seu trabalho.** A ferramenta eléctrica adequada irá efectuar o trabalho de um modo mais eficiente e seguro se for utilizada de acordo com a capacidade para a qual foi concebida.
- b. **Não utilize a ferramenta eléctrica se o interruptor não puder ser ligado ou desligado.** Qualquer ferramenta eléctrica que não possa ser controlada através do interruptor de alimentação é perigosa e tem de ser reparada.
- c. **Desligue a ficha da tomada e/ou a bateria da ferramenta eléctrica antes de proceder a ajustes, trocar acessórios ou guardar ferramentas eléctricas.** Estas medidas de segurança preventivas reduzem o risco de ligar a ferramenta eléctrica acidentalmente.
- d. **Mantenha as ferramentas eléctricas que não estiverem a ser utilizadas fora do alcance das crianças. Não permita que a ferramenta eléctrica seja utilizada por pessoas não familiarizadas com a mesma ou que não tenham lido estas instruções.** As ferramentas eléctricas são perigosas nas mãos de pessoas que não possuam as qualificações necessárias para as manusear.
- e. **Proceda à manutenção das ferramentas eléctricas. Verifique se as partes móveis estão desalinhadas ou bloqueadas, se existem peças partidas ou qualquer outra situação que possa afetar o funcionamento das ferramentas eléctricas. Se a ferramenta eléctrica estiver danificada, esta não deve ser utilizada até que seja reparada.** Muitos acidentes têm como principal causa ferramentas eléctricas com uma manutenção insuficiente.
- f. **Mantenha as ferramentas de corte afiadas e limpas.** As ferramentas de corte sujeitas a uma manutenção adequada, com arestas de corte afiadas, bloqueiam com menos frequência e controlam-se com maior facilidade.
- g. **Utilize a ferramenta eléctrica, os acessórios e as peças de ferramenta, etc., de acordo com estas instruções, considerando as condições de trabalho e a tarefa a ser executada.** A utilização da ferramenta eléctrica para fins diferentes dos previstos pode resultar em situações perigosas.
- h. **Mantenha os punhos e as pegas de fixação secos, limpos e sem qualquer óleo ou gordura.** Se tiver as mãos escorregadias e as superfícies com gordura, isso não permite um manuseamento e controlo seguros da ferramentas em situações inesperadas.

5. Assistência

- a. **A ferramenta eléctrica deve ser reparada por pessoal qualificado e só devem ser colocadas peças sobresselentes idênticas.** Desta forma, é garantida a segurança da ferramenta eléctrica.

Instruções de segurança para serras de esquadria

- ◆ **As serras de esquadria destinam-se a cortar madeira ou produtos semelhantes a madeira, não podem ser utilizadas com rodas de corte abrasivas para cortar material ferroso, tal como barras, varões, pinos, etc.** A poeira abrasiva faz com que as peças móveis, como, por exemplo, a protecção inferior, fiquem encravadas. As faíscas causadas pelo corte abrasivo queimam a protecção inferior, a guia de corte e outras peças de plástico.
- ◆ **Utilize grampos para apoiar a peça de trabalho sempre que possível. Se apoiar a peça de trabalho manualmente, deve manter sempre as mãos afastadas pelo menos 100 mm de cada lado da lâmina da serra. Não utilize esta serra para cortar peças demasiado pequenas para serem apertadas ou seguras à mão. Se a sua mão estiver colocada demasiado próxima da lâmina da serra, existe um maior risco de ferimentos devido ao contacto com a lâmina.**
- ◆ **A peça de trabalho deve estar fixa e apertada ou segura contra a guia e a mesa. Não alimente a peça de trabalho na lâmina nem corte “com as mãos livres” em qualquer direcção.** As peças sem fixação ou móveis podem ser projectadas a altas velocidades, causando ferimentos.
- ◆ **Empurre a serra através da peça de trabalho. Não puxe a serra através da peça de trabalho. Para fazer um corte, levante a cabeça da serra e puxe-a para fora sobre a peça de trabalho sem realizar cortes, efectue o arranque do motor, pressione a cabeça da serra para baixo e empurre a serra através da peça de trabalho. Cortar no tirante de puxar provavelmente faz com que a lâmina de serra suba para cima da peça de trabalho e atire violentamente o conjunto de lâmina na direcção do operador.**
- ◆ **Nunca cruze a sua mão sobre a linha de corte pretendida, tanto à frente como atrás da lâmina de serra. Apoiar a peça de trabalho “com as mãos cruzadas”, isto é, segurando a peça de trabalho do lado direito da lâmina de serra com a mão esquerda ou vice-versa é muito perigoso.**
- ◆ **Não tente chegar mais próximo do que 100 mm por trás da guia com as duas mãos a partir dos dois lados da lâmina de serra para remover restos de madeira ou por qualquer outro motivo enquanto a lâmina estiver a rodar. A proximidade da lâmina de serra em rotação em**

relação à sua mão poderá não ser óbvia e poderá sofrer ferimentos.

- ◆ **Inspeccione a peça de trabalho antes de realizar o corte. Se a peça de trabalho for encurvada ou deformada, aperte-a com a face encurvada exterior virada para a guia. Certifique-se sempre de que não existe nenhuma lacuna entre a peça de trabalho, a guia e a mesa ao longo da linha de corte.** As peças de trabalho encurvadas ou deformadas podem torcer ou deslocar-se e causar emperramento na lâmina de serra em rotação durante o corte. A peça de trabalho não deve ter pregos ou objetos estranhos.
- ◆ **Não utilize a serra até que a mesa esteja desimpedida de todas as ferramentas, restos de madeira, etc., exceto da peça de trabalho.** Os pequenos resíduos ou pedaços soltos de madeira ou outros objetos que estabeleçam contacto com a lâmina em rotação podem ser projectados a alta velocidade.
- ◆ **Corte apenas uma peça de trabalho de cada vez.** As peças de trabalho múltiplas empilhadas não podem ser apertadas ou fixadas adequadamente e podem prender na lâmina ou deslocar-se durante o corte.
- ◆ **Assegure que a serra de esquadria está montada ou colocada numa superfície de trabalho nivelada e firme antes de ser utilizada.** Uma superfície de trabalho nivelada e firme reduz o risco da serra de esquadria se tornar instável.
- ◆ **Planeie o seu trabalho. Cada vez que altera a definição do ângulo de bisel e do ângulo de esquadria, certifique-se de que a guia ajustável está corretamente definida para apoiar a peça de trabalho e que não interfere com a lâmina ou o sistema de protecção.** Sem "LIGAR" a ferramenta e sem qualquer peça de trabalho na mesa, mova a lâmina de serra através de um corte simulado completo, de modo a assegurar que não haverá interferência ou perigo de corte da guia.
- ◆ **Assegure um apoio adequado, tal como extensões da mesa, cavaletes, etc. para uma peça de trabalho que é mais ampla ou mais comprida do que o topo da mesa.** As peças de trabalho mais compridas ou mais amplas do que a mesa da serra de esquadria podem virar se não estiverem apoiadas em segurança. Se a peça cortada ou a peça de trabalho virarem, estas podem levantar a protecção inferior ou serem projetadas pela lâmina em rotação.
- ◆ **Não utilize outra pessoa como substituição de uma extensão de mesa ou um suporte adicional.** O apoio instável para a peça de trabalho pode fazer com que a lâmina fique presa ou a peça de trabalho se desloque durante a operação de corte, puxando-o a si e ao seu assistente na direção da lâmina em rotação.

- ◆ **A peça de corte não deve estar encravada ou ser pressionada por qualquer meio contra a lâmina de serra em rotação.** Se estiver limitada, isto é, utilizando batentes de comprimento, a peça de corte pode ficar entalada contra a lâmina e ser projetada com violência.
- ◆ **Utilize sempre um grampo ou uma fixação concebida para apoiar adequadamente material redondo, tal como varões ou tubagens.** Os varões têm tendência para enrolar quando são cortados, fazendo com que a lâmina "morda" e puxe a peça de trabalho com a sua mão para a lâmina.
- ◆ **Aguarde que o disco atinja a velocidade máxima antes de estabelecer contacto com a peça de trabalho.** Isto reduz o risco de projecção da peça de trabalho.
- ◆ **Se a peça de trabalho ou a lâmina ficar encravada, desligue a serra de esquadria. Aguarde que todas as peças móveis parem e desligue a ficha da fonte de alimentação e/ou remova a bateria. Em seguida, trabalhe para soltar o material encravado.** A serração contínua com uma peça de trabalho encravada pode causar a perda de controlo ou danos na serra de esquadria.
- ◆ **Após concluir o corte, solte o interruptor, segure a cabeça da serra para baixo e aguarde que a lâmina pare antes de remover a peça de corte.** É perigoso tentar alcançar a lâmina com a mão enquanto esta está a rodar por inércia.

Instruções de segurança adicionais para serras de esquadria

- ◆ **Segure no punho com firmeza se fizer um corte incompleto ou se libertar o interruptor antes da cabeça da serra ficar totalmente na posição para baixo.** A acção de travagem da serra pode fazer com que a serra seja puxada inesperadamente para baixo, causando o risco de ferimentos.
- ◆ A utilização adequada é descrita neste manual de instruções. A utilização de qualquer acessório ou a realização de qualquer operação com esta ferramenta que não esteja incluída neste manual de instruções podem representar um risco de ferimentos e/ou danos materiais.
- ◆ Não utilize lâminas de serra rachadas/dobradas/danificadas/deformadas.
- ◆ Substitua a guia de corte de serra quando estiver gasta.
- ◆ Não utilize lâminas com um diâmetro superior ou inferior ao recomendado. Consulte os dados técnicos para obter a classificação da lâmina. Utilize apenas as lâminas especificadas neste manual e em conformidade com a norma 847-1.
- ◆ Não utilize lâminas de serra de aço rápido (HSS).



Atenção! O contacto ou a inalação de poeiras resultantes pelas aplicações da lixadeira pode

colocar em perigo a saúde do operador ou das pessoas presentes. Utilize uma máscara especificamente concebida para protecção contra poeiras e vapores e certifique-se de que as pessoas perto da área de trabalho também estão protegidas.

- ◆ Não trabalhe com materiais que contenham amianto. O amianto é considerado cancerígeno.
- ◆ Utilize luvas quando manusear lâminas de serra e material rugoso (sempre que possível, as lâminas de serra devem ser transportadas numa caixa adequada).
- ◆ Use protecção auricular para reduzir o risco de perda de audição induzida.
- ◆ Considere a utilização de lâminas especialmente concebidas para a redução de ruído.
- ◆ Use protecção ocular para reduzir o risco de ferimentos.
- ◆ Utilize o saco para o pó fornecido quando serrar madeira.
- ◆ **Segure a ferramenta eléctrica apenas pelas superfícies isoladas específicas para o efeito ao efectuar uma operação em que o acessório de corte possa entrar em contacto com fios ocultos ou com o próprio cabo da ferramenta.** O acessório de corte que entre em contacto com um fio com tensão eléctrica pode fazer com que as peças de metal expostas da ferramenta conduzam electricidade e electrocutem o operador
- ◆ Escolha a lâmina correcta para o material que pretende cortar.
- ◆ Não utilize a máquina sem que a protecção esteja colocada. Não utilize a máquina se a protecção não funcionar ou se não estiver nas condições adequadas.
- ◆ Certifique-se de que o suporte está devidamente fixado quando realizar cortes de biselamento.
- ◆ Antes de cada corte, certifique-se de que a máquina está estável.
- ◆ Mantenha os punhos secos, limpos e sem qualquer óleo ou gordura.
- ◆ Mantenha a área que rodeia a máquina arrumada e isenta de materiais soltos (por exemplo, lascas e aparas).
- ◆ Certifique-se de que a máquina e a área de trabalho dispõem de iluminação geral ou localizada adequada.
- ◆ Não permita que esta máquina seja utilizada por pessoas não qualificadas.
- ◆ Antes da utilização, certifique-se de que a lâmina está montada correctamente. Certifique-se de que a lâmina roda na direcção correcta. Mantenha a lâmina afiada. Siga as instruções relativas à lubrificação e à troca de acessórios.
- ◆ Certifique-se de que a velocidade assinalada na lâmina da serra é, pelo menos, igual à velocidade assinalada na serra.
- ◆ Certifique-se de que os espaçadores e os anéis do eixo utilizados são adequados para a finalidade indicada, conforme as indicações da BLACK+DECKER.

- ◆ As reparações ao sistema de guia da linha de corte devem ser efectuadas por técnicos de reparação autorizados ou por técnicos de manutenção da BLACK+DECKER.
- ◆ Desligue a máquina antes de realizar qualquer trabalho de manutenção ou quando substituir a lâmina.
- ◆ Nunca efectue qualquer limpeza, manutenção, remoção de aparas ou outras partes da peça da área de corte quando a máquina estiver em funcionamento e a cabeça da lâmina não estiver na posição de descanso.
- ◆ Se possível, monte sempre a máquina numa bancada.
- ◆ Certifique-se de que todos os punhos e botões de bloqueio estão bem apertados antes de iniciar qualquer operação.
- ◆ Nunca utilize a sua serra sem o encaixe.
- ◆ Nunca tente parar rapidamente a máquina em movimento colocando uma ferramenta ou outro objecto contra a lâmina; se o fizer, podem ocorrer acidentes graves.
- ◆ Consulte o manual de instruções antes de utilizar ou instalar qualquer acessório. A utilização incorrecta de um acessório pode causar danos.
- ◆ Levante a lâmina da guia da mesa na peça de trabalho antes de libertar o interruptor para ligar/desligar.
- ◆ Não introduza nenhum objecto contra a ventoinha para fixar o eixo do motor.
- ◆ A protecção da lâmina na serra é levantada automaticamente quando o suporte é empurrado para baixo. É rebaixado sobre a lâmina quando o suporte é levantado. A protecção pode ser levantada com a mão durante a colocação ou remoção das lâminas de serra ou a inspecção da serra. Nunca levante a protecção da lâmina manualmente, a menos que a máquina esteja desligada.
- ◆ Verifique periodicamente se as entradas de ventilação do motor estão limpas e sem aparas.
- ◆ Nunca desfigure os sinais de aviso existentes na ferramenta eléctrica.
- ◆ Não se coloque sobre a ferramenta eléctrica. Poderão ocorrer ferimentos graves se a ferramenta tombar ou se entrar em contacto com a lâmina de serra.
- ◆ Após a utilização da máquina, não toque na lâmina de serra antes que esta tenha arrefecido. A lâmina de serra fica bastante quente durante o funcionamento.
- ◆ Para evitar lesões causadas pelo arremesso de materiais, desligue a serra para evitar o arranque accidental e, em seguida, remova os materiais de pequenas dimensões.
- ◆ Antes da utilização e após qualquer trabalho de manutenção, a protecção da lâmina deve ser verificada para assegurar o funcionamento adequado. Este teste tem de ser efectuado com a serra desligada e sem estar ligada à corrente eléctrica. O braço tem de ser levantado e baixado para garantir que a protecção cobre a lâmina e que a lâmina não entra em contacto com a

protecção. Se a protecção não funcionar correctamente, solicite a reparação a um técnico de reparação qualificado. Contacte os serviços de apoio ao cliente da BLACK+DECKER para obter a localização do técnico de reparação mais perto de si.

◆ **Esta serra de esquadria foi concebida para serrar apenas madeira, plástico e metais não ferrosos.**

Não utilize a serra para cortar materiais diferentes dos recomendados pelo fabricante.

- ◆ Após a utilização da máquina, não toque na lâmina de serra antes que esta tenha arrefecido. A lâmina de serra fica bastante quente durante o funcionamento.



Atenção! O corte de plástico, madeira com seiva e outros materiais pode causar a acumulação do material derretido nas pontas da lâmina e na lâmina da serra, aumentando o risco de sobreaquecimento e dobragem da lâmina durante o corte.

Riscos residuais

Os seguintes riscos são inerentes à utilização das serras: Mesmo com o cumprimento dos regulamentos de segurança relevantes e a implementação de dispositivos de segurança, alguns riscos residuais não podem ser evitados. Estes incluem:

- ◆ Ferimentos causados pelo contacto com peças em rotação/movimento.
- ◆ Danos auditivos.
- ◆ Risco de acidentes causados pelas partes não protegidas da lâmina de serra em rotação.
- ◆ Risco de ferimentos durante a troca de peças, lâminas ou acessórios.
- ◆ Risco de entalar os dedos quando abrir as protecções.
- ◆ Perigos para a saúde causados pela inalação da poeira criada ao serrar madeira, especialmente carvalho, faia e aglomerado.
- ◆ Ferimentos causados pela utilização prolongada de uma ferramenta. Se utilizar uma ferramenta durante períodos prolongados, certifique-se de que faz pausas regularmente.

Ruído

Os valores de emissão sonora declarados foram medidos de acordo com um método de teste padrão fornecido e podem ser utilizados para comparar ferramentas.

Os valores de emissão sonora declarados podem ainda ser utilizados para uma avaliação preliminar da exposição.

Atenção! As emissões sonoras durante a utilização efectiva da ferramenta eléctrica podem ser diferentes dos valores declarados, dependendo da forma como a ferramenta é utilizada e, em especial, da maneira como a peça de trabalho é processada.

Atenção! Use sempre protecção auricular adequado. Em algumas condições e duração de utilização, o ruído produzido pelo equipamento pode causar perda auditiva. Tenha em conta os seguintes factores que influenciam a exposição ao ruído:

- ◆ Utilize lâminas de serra concebidas para reduzir o ruído emitido,
- ◆ Utilize apenas lâminas de serra bem afiadas e
- ◆ Utilize lâminas de serra especificamente concebida com redução de ruído.

Etiquetas colocadas na ferramenta

Os seguintes pictogramas, assim como o código de data, estão indicados na ferramenta:



Atenção! Para reduzir o risco de ferimentos, o utilizador deve ler o manual de instruções.



Utilize óculos ou viseiras de protecção



Use uma protecção auditiva



Utilize uma máscara anti-poeira



Este produto não deve ser utilizado por crianças com menos de 16 anos



Mantenha as mãos afastadas da lâmina



Zona Sem Mãos: Mantenha os dedos e os braços afastados de lâminas de serra em rotação



Utilize luvas quando manusear lâminas de serra



Não olhe fixamente para a luz de funcionamento



Não exponha o equipamento à chuva.



Desligue a ficha de alimentação se o cabo estiver danificado ou emaranhado.

Segurança eléctrica



Esta ferramenta tem isolamento duplo. Por esse motivo, não precisa de ligação à terra. Verifique sempre se a tensão da tomada de electricidade corresponde à tensão indicada na guia com os requisitos de alimentação da ferramenta.

- ◆ Se o cabo de alimentação estiver danificado, terá de ser substituído pelo fabricante ou por um centro de assistência autorizado da BLACK+DECKER para evitar acidentes.

Quebras de tensão

As correntes de irrupção causam quebras de tensão de curta duração. Em condições de alimentação desfavoráveis, outro equipamento poderá ser afetado. Se a impedância de sistema da fonte de alimentação for inferior a 0.178 Ω, a ocorrência de perturbações é improvável.

Utilizar um cabo de extensão

Utilize sempre um cabo de extensão aprovado, adequado à entrada de alimentação da ferramenta (consulte os dados técnicos). Antes da utilização, verifique se o cabo de extensão apresenta sinais de envelhecimento, danos ou desgaste. Substitua o cabo de extensão se este se encontrar danificado ou avariado. Ao utilizar uma bobina de cabo, desenrole sempre o cabo na íntegra. A utilização de uma extensão não adequada à potência da ferramenta ou que esteja danificada ou avariada pode causar incêndios ou choques eléctricos.

Componentes

Esta ferramenta inclui algumas ou todas as funcionalidades seguintes.

1. Barras deslizantes
2. Botão de fixação do bisel
3. Suporte
4. Grampo da peça
5. Calha da extensão de mesa
6. Furos para parafusos
7. Indicador do ângulo de esquadria
8. Guia da mesa
9. Botão de bloqueio da esquadria
10. Guia de base
11. Mesa rotativa
12. Guia traseira
13. Lâmina da serra
14. Protecção da lâmina
15. Placa de montagem da protecção de segurança
16. Compartimento do motor
17. Cavilha de bloqueio da cabeça da serra
18. Punho principal
19. Gatilho
20. Alavanca de libertação da segurança

21. Botão de ligar/desligar da linha de corte
22. Pega de transporte
23. Saco da serradura
24. Pé de apoio ajustável
25. Indicador do ângulo do bisel
26. Régua do ângulo de esquadria
27. Régua do ângulo do bisel
28. Parafuso de bloqueio das barras deslizantes
29. Profundidade do parafuso de corte
30. Ferramenta de substituição da lâmina
31. Bloqueio do eixo
32. Libertação do bloqueio da esquadria
33. Parafuso de bloqueio da calha da extensão
34. Parafuso de bloqueio do grampo
35. Parafuso de bloqueio da guia deslizante
36. Envoltura de cabos

Montagem

A serra de esquadria está parcialmente montada na embalagem.

- ◆ Abra a caixa e levante a serra para fora.
- ◆ Coloque a serra sobre uma superfície macia e plana, como uma bancada ou uma mesa robusta.
- ◆ Consulte o diagrama de montagem na página 2 deste manual para estar familiarizado com a serra e as várias peças. A secção sobre ajustes faz referência a estes termos e deve conhecer as peças e onde estão.
- ◆ Quando a ferramenta é fornecida, o punho é bloqueado na posição baixada com a cavilha de bloqueio da cabeça da serra (17). Puxe a cavilha de bloqueio da cabeça da serra (17) e rode-a 90°, para a esquerda ou para a direita, como indicado na Figura A.
- ◆ O botão de bloqueio da esquadria (9) não está montado para envio. Retire o botão de bloqueio da esquadria (9) da embalagem e aperte-o na serra, consulte a Figura B para saber qual é a posição.

Calha da extensão de mesa (Fig. C e D)

A serra de esquadria é fornecida com 2 calhas da extensão de mesa (5) para suportar peças de trabalho compridas que estejam suspensas.

- ◆ Puxe a calha da extensão de mesa (5) para o comprimento pretendido da peça de trabalho, como indicado na Figura C.
- ◆ Fixe-a no local pretendido, apertando o parafuso de bloqueio da calha da extensão (33), como indicado na Figura D.
- ◆ Repita o processo no lado oposto.

Suporte - apenas no modelo BES710 (Fig. E)

A serra de esquadria BES710 é fornecida com 1 suporte (3), localizado na parte de trás da unidade, para aumentar a estabilidade.

Montagem em bancada (Fig. F)

A serra de esquadria pode ser apertada com quatro parafusos (6a) (não fornecidos) numa superfície nivelada e estável nos furos dos parafusos (6) que se encontram na base da ferramenta. Isto impede a inclinação da ferramenta e possíveis ferimentos.

Recolha de poeira (Fig. G)

A utilização do saco para o pó (23) permite a limpeza das aparas de corte e facilita a recolha de poeira.

- ◆ Para montar o saco para o pó (23), instale-o no bocal para poeira (23a).
- ◆ Quando o saco para o pó (23) estiver meio cheio, retire-o da ferramenta.
- ◆ Esvazie o saco para o pó, batendo ligeiramente para remover as partículas coladas no interior, que impedem uma melhor recolha.

Nota: Se ligar um aspirador de oficina à serra, pode obter o funcionamento mais eficiente e mais limpo.

Para instalar o grampo da peça de trabalho (Fig. H)

- ◆ Introduza o grampo (4) no orifício (4c) por trás da guia. O grampo deve estar virado para a parte de trás da serra de esquadria. A ranhura da haste do grampo deve estar totalmente inserida na base. Certifique-se de que esta ranhura está totalmente inserida na base da serra de esquadria. Se a ranhura for visível, significa que o grampo não está fixo.
- ◆ Rode o grampo 180° para a frente da serra de esquadria.
- ◆ Afrouxe o botão (4b) para ajustar o grampo para cima ou para baixo e depois utilize o botão de ajuste fino (4a) para fixar a peça com firmeza.

Nota: Coloque o grampo no lado oposto da base quando fizer trabalhos em bisel. REALIZE SEMPRE TESTES (SEM LIGAÇÃO À CORRENTE) ANTES DE TERMINAR OS CORTES PARA VERIFICAR A TRAJECTÓRIA DA LÂMINA. CERTIFIQUE-SE DE QUE O GRAMPO NÃO INTERFERE COM O MOVIMENTO DA SERRA OU DAS PROTECÇÕES.

Substituir ou instalar uma nova lâmina de serra (Fig. I, J, K)

Atenção! Para reduzir o risco de ferimentos pessoais graves, desligue a ferramenta e, em seguida, desligue-a da fonte de alimentação antes de tentar movê-la, substituir os acessórios ou efectuar quaisquer ajustes.

Atenção! Nunca pressione o botão de bloqueio do eixo (31) enquanto a lâmina estiver em funcionamento ou quando estiver a ser desligada.

Atenção! Não corte metais ferrosos (que contenham ferro ou aço) ou produtos com alvenaria ou fibrocimento com esta serra de esquadria.

Remoção da lâmina

- ◆ Desligue a serra.
- ◆ Levante o braço para a posição superior e empurre a protecção (14) para cima o máximo possível.
- ◆ Afrouxe, mas não retire o parafuso do suporte da protecção (13c) até o suporte poder ser levantado o suficiente para aceder ao parafuso da lâmina (13a). A protecção inferior permanece levantada devido à posição do parafuso do suporte da protecção, como indicado na Figura I.
- ◆ Pressione o botão de bloqueio do eixo (31) enquanto roda manualmente a lâmina da serra com cuidado até o engate ficar activado, como indicado na Figura J.
- ◆ Mantendo o botão premido, utilize a outra mão e a ferramenta de substituição da lâmina (30) fornecida para afrouxar o parafuso da lâmina (13a). (Rode as roscas no lado esquerdo no sentido dos ponteiros do relógio.)
- ◆ Retire o parafuso da lâmina (13a), a anilha do grampo exterior (13d), a lâmina (13) e o adaptador da lâmina (13e), caso seja utilizado. Pode deixar a anilha de fixação interna (13f) no eixo.

Instalar uma lâmina

- ◆ Desligue a serra.
- ◆ Com o braço levantado, a protecção aberto e o suporte da protecção levantado, coloque a lâmina sobre o eixo, no adaptador da lâmina e contra o grampo da lâmina interior com os dentes na parte inferior da lâmina virados para a parte de trás da serra.
- ◆ Monte a anilha de fixação exterior no eixo.
- ◆ Coloque o parafuso da lâmina e, fixando o bloqueio do eixo, aperte o parafuso com firmeza com a chave de fendas fornecida (rode as roscas da esquerda no sentido contrário ao dos ponteiros do relógio).

Ajustar o ângulo de esquadria (Fig. L)

- ◆ Desaperte a pinça (9), rodando-a no sentido contrário ao dos ponteiros do relógio.
- ◆ Utilize a libertação do bloqueio da esquadria (32) para mover a mesa rotativa (11) para a posição onde o ponteiro (7) indique o ângulo pretendido na régua de esquadria (26) e aperte a pinça para a direita.
- ◆ O pé de apoio ajustável (24) ajuda a manter o equilíbrio da ferramenta. Depois de ajustar o ângulo de esquadria, deve rodar o botão na base para a direita ou para a esquerda até a parte inferior tocar no chão. Há duas posições, consoante a profundidade da bancada de trabalho.

Profundidade de corte

Se quiser cortar uma ranhura, pode regular a profundidade de corte com o profundidade de corte (29) ou a lâmina.

- ◆ Rode o parafuso de profundidade de corte (29) e aperte com a contraporca.

Ajustar a guia

Antes de fazer um corte em bisel, certifique-se de que nenhuma parte da ferramenta entra em contacto com a guia (12) quando baixar e levantar o punho por completo em qualquer posição e puxar ou empurrar o carro por completo na posição mais baixa. Antes de utilizar a ferramenta, certifique-se de que fixa a guia deslizante com o parafuso de bloqueio da guia deslizante (35) com firmeza.

Atenção! Quando fizer cortes em bisel, deslize a guia deslizante para a esquerda e fixe-a. Caso contrário, vai entrar em contacto com a lâmina ou uma parte da ferramenta, podendo causar ferimentos graves no operador.

Esta ferramenta está equipada com uma guia deslizante que deve ser colocada numa posição central. No entanto, quando efectuar cortes em bisel no lado esquerdo, regule para a posição esquerda se a cabeça da ferramenta entrar em contacto com ela. Quando terminar o corte em bisel, não se esqueça de voltar a colocar a guia deslizante na posição original e fixe-a com firmeza com o parafuso de bloqueio da guia deslizante (35).

Ajustar o ângulo do bisel (Fig. M)

Quando inclinar o carro para a esquerda, afrouxe a alavanca (2) na parte de trás da ferramenta para a esquerda. Desbloqueie o braço empurrando o punho com alguma força numa única direcção.

- ◆ Incline a lâmina da serra até o ponteiro (25) apontar para o ângulo pretendido na régua do ângulo de corte inclinado (27).
- ◆ Aperte a alavanca (2) para a direita com firmeza para fixar o braço.

Atenção! Quando inclinar a lâmina da serra, não se esqueça de levantar o punho por completo. Depois de alterar o ângulo de bisel, fixe sempre o braço apertando a alavanca para a direita.

Atenção! Quando inclinar a lâminas da serra, tenha sempre atenção ao peso da cabeça e evite qualquer impacto.

Ligar o equipamento (Fig. N)

Cuidado! Antes de ligar a ferramenta, verifique sempre se o gatilho (19) funciona correctamente e se desliga automaticamente quando é libertado.

- ◆ Para accionar a ferramenta, mova a alavanca de libertação da segurança (20) para a direita com o indicador.
- ◆ Pressione o gatilho (19).
- ◆ Para parar a ferramenta, liberte o gatilho (19).

Atenção! Nunca utilize a ferramenta sem um gatilho totalmente operacional. Qualquer ferramenta sem um gatilho em boas condições é MUITO PERIGOSO e deve ser reparado antes de ser utilizado.

Utilizar o sistema de linha de corte (Fig. N)

Nota: A serra de esquadria deve ser ligada a uma fonte de alimentação. O sistema de linha de corte está equipado com um interruptor de ligar/desligar (21). O sistema de linha de corte é independente do gatilho da serra de esquadria.

O indicador luminoso não tem de estar ligado para utilizar a serra. Para cortar ao longo de uma linha escrita a lápis numa placa de madeira:

- ◆ Ligue o sistema de linha de corte e, em seguida, puxe o punho para baixo (18) para aproximar a lâmina da serra da placa de madeira. O tracejado da lâmina aparece na placa de madeira.
- ◆ Alinhe o tracejado de lápis com o tracejado da lâmina. Pode ser necessário ajustar os ângulos de esquadria ou bisel para que correspondam exactamente ao tracejado do lápis.

Cortes transversais

Um corte transversal é efectuado através do corte de madeira ao longo do grão em qualquer ângulo. Um corte transversal direito é efectuado com o braço de esquadria na posição de grau zero. Regule e bloqueie o braço de esquadria para o valor zero, segure a placa de madeira com firmeza sobre a mesa e contra a guia. Com o botão de bloqueio da calha apertado, ligue a serra premindo o gatilho (19).

Quando a serra atingir a velocidade pretendida (cerca de 1 segundo), baixe o braço com cuidado e lentamente para cortar a madeira. Deixe a lâmina parar por completo antes de levantar o braço.

Se cortar algum pedaço com um tamanho superior a 51 mm x 102 mm,, utilize um movimento para fora-baixo-e para trás com o parafuso de bloqueio da calha afrouxado. Puxe a serra para fora na sua direcção, baixe a cabeça da serra na direcção da peça a trabalhar e empurre lentamente a serra para terminar o corte. Não deixe que a lâmina da serra entre em contacto com a parte superior da peça enquanto a puxa para fora. A serra pode mover-se na sua direcção, podendo causar ferimentos pessoais ou danos na peça.

Atenção! Utilize sempre um sistema de fixação para manter o controlo e reduzir o risco de ferimentos e danos na peça de trabalho.

Nota: O parafuso de bloqueio da calha deve ser desapertado para permitir que a serra deslize ao longo das respectivas calhas.

Os cortes transversais com esquadria são efectuados com o braço de esquadria a um ângulo diferente de zero. Este ângulo é, normalmente, de 45° para fazer cantos, mas pode ser regulado em qualquer local, desde a 47° para a esquerda ou 47° para a direita. Faça o corte como indicado acima.

Para cortar ao longo de um tracejado a lápis numa placa de madeira, tente corresponder o ângulo o mais próximo possível. Corte um pedaço de madeira um pouco maior e meça a partir do tracejado do lápis até à extremidade de corte para determinar a direcção de ajuste do ângulo de esquadria e volte a fazer o corte. Requer alguma prática, mas é uma técnica muito utilizada.

Posição do corpo e das mãos (Fig. O1 – O4)

O posicionamento correcto do corpo e das mãos durante o trabalho com a serra de esquadria torna o corte mais fácil, preciso e seguro. Nunca coloque as mãos perto da área de corte. Nunca coloque as mãos a uma distância inferior a 152 mm da lâmina. Quando fizer trabalhos de corte, fixe a peça a trabalhar firmemente na mesa e na guia. Mantenha as mãos em posição, até o gatilho estar solto e a lâmina estar completamente parada. REALIZE SEMPRE TESTES (SEM LIGAÇÃO À CORRENTE) ANTES DE CONCLUIR OS CORTES, PARA QUE POSSA VERIFICAR A TRAJECTÓRIA DA LÂMINA. NÃO CRUZE AS MÃOS, TAL COMO INDICADO NA FIGURAS O3 E O4. Coloque os pés firmemente assentes no chão e mantenha o equilíbrio adequado. À medida que desloca o braço da esquadria para a esquerda ou direita, acompanhe-o e encoste-se ligeiramente na parte lateral da lâmina da serra. Olhe através das grelhas, quando seguir uma linha do lápis.

Falsa esquadria para ajuste da mesa (Fig. P)

Para alinhar o esquadro da lâmina com a mesa, fixe o braço na posição descendente com a cavilha de fixação. Coloque um esquadro sobre a lâmina, certificando-se de que o esquadro não fica em cima dos dentes. Afrouxe o botão de bloqueio de bisel e certifique-se de que o braço fica assente com firmeza contra o batente do bisel num ângulo de 0°. Rode o parafuso de ajuste de bisel para um ângulo de 0° com a chave de 10 mm) (não fornecida) conforme necessário de modo a que a lâmina fique com um bisel de 0° relativamente à mesa, tal como medido com o esquadro.

Cortar molduras para fotografias, molduras tipo vitrine e outros objectos de quatro lados (Fig. Q1, Q2)

Para uma melhor compreensão dos artigos referidos neste documento, sugerimos que faça alguns projectos simples com pedaços de madeira até apanhar o jeito com a sua serra. A sua serra é a ferramenta perfeita para fazer cortes angulares, como indicado na Figura Q1. O Esquema A na Figura Q2

mostra uma junta efectuada com o ajuste de bisel das extremidades de duas placas, cada uma a 45°, para formar um ângulo de 90°. Para esta junta, o braço de esquadria foi bloqueado na posição zero e o ajuste de bisel foi bloqueado a um ângulo de 45°. A madeira foi colocada com o lado largo sobre a mesa e a face mais estreita contra a guia. O corte pode ser feito cortando em ângulo à direita e à esquerda, com a superfície larga contra a guia.

Corte de molduras e outras armações (Fig. Q2)

O esquema B na Figura Q2 mostra uma união ao regular o braço de esquadria a um ângulo de 45° para fazer a esquadria de duas placas para formar um ângulo de 90°. Para criar este tipo de junta, regule o ajuste de bisel para zero e o braço de esquadria para 45°. Posicione novamente a placa de madeira com o lado largo e a face mais estreita contra a guia. As Figuras Q1 e Q2 referem-se apenas a objectos de quatro lados. Se o número de lados mudar, o mesmo acontece com os ângulos de esquadria e bisel.

O gráfico abaixo mostra os ângulos adequados para várias formas.

Número de lados	Ângulo em esquadria ou bisel
4	45°
5	36°
6	30°
7	25,7°
8	22,5°
9	20°
10	18°

O gráfico parte do pressuposto que todos os lados têm comprimento igual. Para obter uma forma que não esteja indicada no gráfico, utilize o seguinte sistema: 180° dividido pelo número de lados é igual à esquadria (se o material for cortado na vertical) ou em ângulo de bisel (se o material for cortado achatado).

Corte de meia-esquadria composta (Fig. Q3)

Uma esquadria composta é um corte feito utilizando ao mesmo tempo um ângulo de esquadria e um ângulo de inclinação. Este é o tipo de corte utilizado para fazer armações ou caixas com lados inclinados, como mostrado na Figura Q3.

Nota: Se o ângulo de corte variar de corte para corte, controle se o botão de fixação de inclinação e o botão de fixação de esquadria estão bem seguros. Estes botões devem estar bem apertados, depois de fazer qualquer modificação na inclinação ou na esquadria.

Corte da moldura base (Fig. R)

Cortes de 90° a direito:

Posicione a madeira contra a guia e segure-a no local pretendido, como indicado na Figura R. Ligue a serra, aguarde até que esta atinja a velocidade total e baixe o braço com cuidado através do corte.

Corte da moldura base até 70 mm/90 mm na vertical contra a guia

BES700 - 70 mm para 216 mm
 BES710 - 90 mm para 254 mm

Posicione o material, como indicado na Figura R. Todos os cortes devem ser efectuados com a parte de trás da moldura contra a guia e com a parte inferior da moldura contra a mesa.

	Ângulo interior	Ângulo exterior
Lado esquerdo	Esquadria esquerda a 45° Manter o lado esquerdo do corte	Esquadria direita a 45° Manter o lado esquerdo do corte
Lado direito	Esquadria direita a 45° Manter o lado direito do corte	Esquadria esquerda a 45° Manter o lado direito do corte

O material com um tamanho até 70 mm/90 mm pode ser cortado de acordo com o procedimento indicado acima.

BES700 - 70 mm para 216 mm
 BES710 - 90 mm para 254 mm

Corte de molduras em coroa

De modo a encaixar correctamente, a moldura em coroa deve ser colocada em esquadria meia-composta de maneira muito precisa. As duas superfícies achatadas numa determinada moldura em coroa estão a um ângulo que, quando são adicionados em conjunto, correspondem a um ângulo exacto de 90°. A maioria, mas não todas as molduras em coroa, tem uma ângulo traseiro superior (a secção que fica achatada no tecto) de 52° e um ângulo traseiro inferior (a parte que fica achatada na parede) de 38°. A sua serra de esquadria tem pontos de bloqueio especiais de esquadria predefinidos a 31,6° à esquerda e à direita para o corte de molduras em coroa de acordo com o ângulo adequado. Existe também uma marca na régua do ângulo de corte inclinado a 33,9°. O gráfico Definição de bisel/tipo de corte mostra as definições adequadas para o corte de molduras em coroa. (O número de definições de esquadria e bisel são muito precisos e não são fáceis de definir com rigor na sua serra.) Uma vez que a maioria das salas não têm ângulos com 90° rigorosos, terá de regular as suas definições.

Instruções para o corte de molduras em coroa na horizontal e utilizando características compostas

- ◆ Pouse a moldura com a superfície traseira larga para baixo na mesa de serra (Fig. S1).
- ◆ As definições abaixo dizem respeito a todas as molduras em coroa padrão com ângulos de 52° e 38°.

Definição de bisel	Tipo de corte
33,9°	LADO ESQUERDO, CANTO INTERIOR: 1. Parte superior da moldura contra a guia 2. Mesa com uma esquadria à direita de 31,6° 3. Manter a extremidade esquerda do corte
33,9°	LADO DIREITO, CANTO INTERIOR: 1. Parte inferior da moldura contra a guia 2. Mesa com uma esquadria à esquerda de 31,6° 3. Manter a extremidade esquerda do corte
33,9°	LADO ESQUERDO, CANTO EXTERIOR: 1. Parte inferior da moldura contra a guia 2. Mesa com uma esquadria à esquerda de 31,6° 3. Manter a extremidade direita do corte
33,9°	LADO DIREITO, CANTO EXTERIOR: 1. Parte superior da moldura contra a guia 2. Mesa com uma esquadria à direita de 31,6° 3. Manter a extremidade direita do corte

Nota: Quando definir os ângulos de bisel e de esquadria para todas as esquadrias compostas, tenha em atenção que os ângulos disponíveis para molduras de coroas são muito precisos e é difícil defini-los com precisão. Uma vez que podem facilmente mudar ligeiramente e são poucos os quartos com cantos em esquadria, todas as definições devem ser testadas em pedaços de molduras.

Método alternativo para corte de molduras em coroa

Coloque a moldura a um ângulo entre a guia (12) e a mesa da serra (11), com a parte superior da moldura sobre a mesa e a parte inferior da moldura na guia, como indicado na Figura S2. A vantagem de utilizar este método para cortar molduras em coroa é o facto de não ser necessário fazer um corte em bisel. Podem ser efectuadas pequenas alterações no ângulo de esquadria sem afectar o ângulo de bisel. Deste modo, se houver ângulos que tenham 90°, é possível ajustar a serra de maneira de maneira fácil e rápida.

Instruções para cortar moldes em coroa em ângulo entre a guia e a base da serra para todos os cortes

Esta serra tem capacidade para cortar molduras em coroa até 14 mm x 92 mm encaixadas.

- ◆ Incline a moldura de modo a que a parte inferior da moldura (a parte que fica virada para a parede quando é instalada) fica virada contra a guia (12) e a parte superior da moldura fica encostada na mesa da serra (11), como indicado na Figura S2.
- ◆ A "parte plana" na parte de trás da moldura deve permanecer em esquadria na guia e na mesa da serra.

	Ângulo interior	Ângulo exterior
Lado esquerdo	Esquadria direita a 45° Manter o lado direito do corte	Esquadria esquerda a 45° Manter o lado direito do corte
Lado direito	Esquadria esquerda a 45° Manter o lado esquerdo do corte	Esquadria direita a 45° Manter o lado esquerdo do corte

Cortes especiais

Nunca faça quaisquer cortes a menos que o material esteja fixado na mesa e contra a guia.

Material dobrado (Fig. T1, T2)

Quando cortar material dobrado, posicione-o sempre conforme descrito na Figura T1 e nunca como indicado na Figura T2. Se posicionar incorrectamente o material, a lâmina pode ficar presa quando terminar o corte.

Cortar material redondo

O material redondo deve ser fixado ou preso com firmeza na guia para impedir que se desloque. Isto é muito importante quando fizer cortes em ângulo.

Corte de material comprido (Fig. U)

Pode encontrar ocasionalmente pedaços de madeira um pouco maiores que se encaixem debaixo da protecção inferior. Para retirar a protecção da madeira, com a serra desligada e a mão direita no punho, coloque o polegar direito fora da parte superior da protecção e desloque a protecção para cima o suficiente para libertar a madeira, como indicado na Figura U. Liberte a protecção antes de iniciar o motor. O mecanismo de protecção funciona correctamente durante o corte. Só deve fazê-lo se for necessário. **NUNCA AMARRE, COLE NEM MANTENHA A PROTECÇÃO ABERTA QUANDO UTILIZAR ESTA SERRA.**

Atenção! Certifique-se sempre de que a ferramenta está desligada e que retirou a ficha da corrente antes de ajustar ou verificar o funcionamento da ferramenta.

- ◆ Após a utilização, limpe as aparas e a poeira colada na ferramenta com um pano ou algo semelhante.
- ◆ Mantenha a protecção da lâmina limpa de acordo com as instruções da secção indicada anteriormente.
- ◆ Lubrifique as partes deslizantes com óleo de máquina para impedir que enferrujem.
- ◆ Quando armazenar a ferramenta, puxe o carro totalmente na sua direcção.

Transportar a ferramenta

- ◆ Certifique-se de que a ferramenta está desligada.
- ◆ Fixe a lâmina a um ângulo de bisel de 0° e rode a base totalmente para o ângulo da esquadria direito com o parafuso de bloqueio da barra deslizante (28).
- ◆ Fixe as barras deslizantes depois de puxar o carro para si por completo.
- ◆ Baixe o punho por completo e bloqueie-o na posição inserindo a cavilha de bloqueio da cabeça da serra (17).
- ◆ Transporte a ferramenta pela pega de transporte (22).
- ◆ Se retirar o grampo, saco para poeira, etc., pode transportar a ferramenta mais facilmente.
- ◆ Transporte a ferramenta com uma mão pela pega de transporte (22) e a outra a segurar na base da ferramenta.

Cuidado! Antes de transportar a ferramenta, segure sempre todas as peças móveis. A cavilha de bloqueio da cabeça da serra (17) serve apenas para transporte e armazenamento e não para operações de corte.

Resolução de problemas

Problema	Causa possível	Solução
O motor não liga	A serra não liga.	Verifique se todos os cabos estão ligados.
Ângulo de corte impreciso	Mesa com esquadria desbloqueada.	Utilize a alavanca de bloqueio da mesa com esquadria (consulte a secção Ajustar o ângulo da esquadria).
	Há demasiada serradura debaixo da mesa.	Aspire o sobre a poeira. Use protecção ocular.
Não é possível levantar o braço de corte por completo, caso contrário não é possível fechar a protecção da lâmina por completo	Avaria das peças.	Contacte o centro de assistência.
	A mola articulada não foi substituída após a assistência.	Contacte o centro de assistência.
	Serradura acumulada.	Limpe e lubrifique as peças móveis.
	A cavilha de bloqueio da cabeça da serra não está definida correctamente.	Verifique, ajuste e defina correctamente a cavilha de bloqueio da cabeça da serra.
A lâmina fica dobrada, encravada ou vibra	Lâmina da serra danificada.	Substitua a lâmina.
	Lâmina embotada.	Substitua ou afie a lâmina.
	Lâmina incorrecta.	Substitua a lâmina.
	Lâmina dobrada.	Substitua a lâmina.

Problema	Causa possível	Solução
A serra vibra ou vibra	Lâmina da serra danificada.	Substitua a lâmina.
	Lâmina da serra solta.	Aperte o parafuso do eixo.
	A serra não está bem apertada.	Aperte a serra na bancada, suporte ou na mesa.
	A peça de trabalho não está suportada correctamente.	Suporte ou fixe a peça de trabalho correctamente.

Protecção do ambiente



Faça uma recolha de lixo selectiva. Os produtos e as baterias assinalados com este símbolo não devem ser eliminados juntamente com o lixo doméstico normal.

Os produtos e as baterias contêm materiais que podem ser recuperados ou reciclados, reduzindo assim a necessidade de matérias-primas. Recicle os produtos eléctricos e as baterias de acordo com as disposições locais. Estão disponíveis mais informações em www.2helpU.com.

Dados técnicos

		BES700 Tipo 1	BES710 Tipo 1
Tensão	V	230	230
Velocidade	/min	4800	5000
Diâmetro exterior da lâmina	mm	216	254
Diâmetro do furo	mm	30	30
Peso	kg	12,1	14,9
Espessura da lâmina	mm	1,8	1,8
Guia máx. da lâmina	mm	2,8	2,8
Esquadria (posições máx.)	°	+/- 47	+/- 47
Bisel (posições máx.)	°	47	47
Capacidade máx. de corte transversal a 90°	mm	305	305
Capacidade máx. de esquadria a 45°	mm	203	203
Profundidade máx. de corte a 90 °	mm	70	90
Profundidade máx. de corte a 45°	mm	35	40

BES700 - Nível de pressão acústica de acordo com a norma EN 62841:

L_{pWA} (pressão acústica) 97,5 dB(A), variabilidade (K) 3 dB(A)

L_{WA} (potência acústica) 108,0 dB(A), variabilidade (K) 3 dB(A)

BES710 - Nível de pressão acústica de acordo com a norma EN 62841:

L_{pWA} (pressão acústica) 96,0 dB(A), variabilidade (K) 3 dB(A)

L_{WA} (potência acústica) 107,5 dB(A), variabilidade (K) 3 dB(A)

Declaração de conformidade CE

DIRECTIVA "MÁQUINAS"



BES700, BES710 Serra de esquadria radial

A Black & Decker declara que os produtos descritos nos "dados técnicos" estão em conformidade com:
EN62841-1:2015, EN62841-3-9:2015+A11:2017

Estes produtos estão também em conformidade com as directivas 2006/42/CE, 2014/30/UE e 2011/65/UE.

Para obter mais informações, contacte a Black & Decker através do endereço seguinte ou consulte o verso do manual.

O signatário é responsável pela compilação do ficheiro técnico e efetua esta declaração em nome da Black & Decker.

A. P. Smith
Director Técnico
Black & Decker Europe, 210 Bath Road, Slough,
Berkshire, SL1 3YD
Reino Unido
01/03/2019

Garantia

A Black & Decker confia na qualidade dos seus produtos e oferece aos clientes uma garantia de 24 meses a partir da data de compra. Esta garantia é um complemento dos seus direitos estabelecidos por lei, não os prejudicando de forma alguma. A garantia é válida nos Estados-membros da União Europeia e nos países-membros da Zona Europeia de Comércio Livre.

Para acionar a garantia, esta deve estar em conformidade com os termos e condições da Black & Decker e terá de apresentar comprovativos de compra ao vendedor ou a um técnico de reparação autorizado. Os termos e condições da garantia de 2 anos da Black & Decker e a localização do técnico de reparação autorizado mais próximo podem ser obtidos na Internet em www.2helpU.com ou através da morada do escritório local da Black & Decker indicada neste manual.

Visite o nosso Website www.blackanddecker.co.uk para registar o novo produto BLACK+DECKER e manter-se actualizado relativamente a novos produtos e ofertas especiais.

Avsedd användning

Den här BLACK+DECKER BES700, BES710 glidande sammansatta kap- och geringssågen är endast avsedd för sågning av trä, plast och icke-järnhaltiga metaller. Verktyget är avsett för privatpersoner.

Säkerhetsinstruktioner

Allmänna säkerhetsanvisningar för elverktyg



Varning! Läs alla säkerhetsvarningar, instruktioner, illustrationer och specifikationer som levereras med elverktyg.

Fel som uppstår till följd av att varningarna och instruktionerna som listas nedan inte följts kan orsaka elstöt, brand och/eller allvarliga kroppsskador.

Spara alla säkerhetsföreskrifter och anvisningar för framtida bruk. Begreppet "Elverktyg" i alla varningar som listas nedan avser nätdrivna elverktyg (med nätsladd) och batteridrivna elverktyg (sladdlösa).

1. Säkerhet på arbetsplatsen

- Se till att arbetsområdet är rent och väl belyst.** Belamrade och mörka områden inbjuder till olyckor.
- Använd inte elverktyget i explosionsfarlig omgivning, t.ex. i närheten av brännbara vätskor, gaser eller damm.** Elverktyg skapar gnistor som kan antända damm eller ångor.
- Håll barn och åskådare på avstånd vid arbete med elverktyget.** Distractioner kan göra att du förlorar kontrollen.

2. Elsäkerhet

- Elverktygets stickkontakt måste passa i eluttaget. Modifiera aldrig kontakten på något sätt. Använd inga adapterkontakter tillsammans med jordade elverktyg.** Icke modifierade kontakter och passande uttag minskar risken för elektrisk stöt.
- Undvik kroppskontakt med jordade ytor, t.ex. rör, värmeelement, spisar och kylskåp.** Det finns en ökad risk för elektrisk stöt om din kropp är jordansluten eller jordad.
- Utsätt inte elverktyget för regn eller våta omgivelningar.** Vatten som kommer in i ett elverktyg ökar risken för elektrisk stöt.
- Misshandla inte nätsladden. Använd aldrig sladden för att bära, dra eller koppla bort elverktyget från uttaget. Håll sladden borta från värme, olja, skarpa kanter eller rörliga delar.** Skadade eller tilltrasslade sladdar ökar risken för elektrisk stöt.
- Använd en förlängningssladd som lämpar sig för utomhusbruk när du arbetar med elverktyg utomhus.** Användning av en sladd som är lämplig för utomhusbruk minskar risken för elektriska stötar.

- Om du måste använda ett elverktyg på en fuktig plats, bör du använda en strömförsörjning med jordfelsbrytare.** Användning av en jordfelsbrytare minskar risken för elektrisk stöt.

3. Personlig säkerhet

- Var uppmärksam, se på vad du gör och använd sunt omdöme när du använder elverktyget. Använd inte ett elverktyg när du är trött eller påverkad av droger, alkohol eller mediciner.** Ett ögonblicks ouppmärksamhet när du arbetar med elektriska verktyg kan leda till allvarliga personsador.
- Använd personlig skyddsutrustning. Använd alltid skyddsglasögon.** Skyddsutrustning såsom dammfilterskydd, halksäkra säkerhetsskor, skyddshjälm eller hörselskydd som används för lämpliga förhållanden minskar personsador.
- Förhindra oavsiktlig start. Kontrollera att strömbrytaren står i avstängt läge innan du ansluter verktyget till elnätet eller sätter i batteriet, samt innan du tar upp eller bär verktyget.** Att bära elektriska verktyg med fingret på strömbrytaren eller att koppla strömmen till elektriska verktyg när strömbrytaren är på leder till olyckor.
- Ta bort alla inställningsverktyg och skruvnycklar innan du startar elverktyget.** Ett verktyg eller en nyckel som har lämnats kvar på en roterande del av det elektriska verktyget kan orsaka kroppsskador.
- Sträck dig inte för mycket. Ha ordentligt föfäste och balans hela tiden.** Detta möjliggör bättre kontroll av elverktyget i oväntade situationer.
- Bär lämpliga kläder. Bär inte lösa kläder eller smycken. Håll hår och kläder borta från delar i rörelse.** Lösa kläder, smycken eller långt hår kan fastna i rörliga delar.
- Om enheten har dammutsugnings- och uppsamlingsutrustning, se till att den är ansluten och används på korrekt sätt.** Användning av dammuppsamling kan minska dammrelaterade risker.
- Låt inte förtrogenheten som uppstått genom regelbunden användning av verktyg låta dig bli självsäker och ignorera verktygets säkerhetsprinciper.** En oförsiktig handling kan orsaka allvarliga skador under bräkdelen av en sekund.

4. Användning och skötsel av elverktyg

- Överbelasta inte elverktyget. Använd rätt elverktyg för ditt arbete.** Det korrekta elverktyget gör arbetet bättre och säkrare vid den hastighet för vilket det konstruerades.
- Använd inte elverktyget om det inte kan startas och stängas av med strömbrytaren.** Ett elverktyg som inte kan kontrolleras med strömbrytaren är farligt och måste repareras.

- c. **Dra stickproppen ur vägguttaget och/eller ta ut batteriet ur elverktyget innan inställningar görs, tillbehör byts ut eller elverktyget ställs undan.** Sådana förebyggande säkerhetsåtgärder minskar risken att oavsiktligt starta elverktyget.
- d. **Förvara elverktyg utom räckhåll för barn och låt inte personer som är ovana vid elverktyget eller som inte läst denna bruksanvisning använda det.** Elverktyg är farliga i händerna på ovana användare.
- e. **Underhålla elverktyg och tillbehör. Kontrollera att rörliga komponenter fungerar felritt och inte kärvar, att komponenter inte gått sönder eller skadats och inget annat föreligger som kan påverka elverktygets funktion. Om det är skadat, se till att elverktyget blir reparerat före användning.** Många olyckor orsakas av dåligt underhållna elektriska verktyg.
- f. **Håll skärande verktyg vassa och rena.** Korrekt underhållna kapverktyg med vassa skär är mindre troliga att de fastnar och är lättare att kontrollera.
- g. **Använd elverktyg, tillbehör, bits m.m. enligt dessa anvisningar, samtidigt som arbetsförhållandena och det arbete som ska utföras beaktas.** Användning av elverktyget för andra uppgifter än vad som avsetts kan resultera i farliga situationer.
- h. **Håll handtagen och greppytorna torra, rena och fria från olja och fett.** Hala handtag och feta ytor förhindrar säker hantering och kontroll av verktyget i oväntade situationer.

5. Service

- a. **Låt en kvalificerad reparatör som bara använder identiska reservdelar utföra service på elverktyget.** Detta säkerställer att elverktygets säkerhet bibehålls.

Säkerhetsinstruktioner för geringssågar

- ◆ **Geringssågar är avsedda att såga trä och träliknande produkter, den kan inte användas med slipande kapskivor för sågning av metallhaltiga material såsom stänger, stag, stolpar etc.** Slipdamm gör att rörliga delar, såsom det nedre skyddet, fastnar. Gnistor från slipande kapningar kommer att bränna det nedre skyddet, spåninsatsen och andra platsdelar.
- ◆ **Använd tvingar för att stödja arbetsstycket när så är möjligt. Om arbetsstycket stöds för hand måste du hålla din hand minst 100 mm från sidorna på sågklingan. Använd inte denna såg för att såga delar som är alltför små för att säkert klämmas fast eller hållas för hand.** Om handen placeras alltför nära sågklingan finns risk för skador från kontakt med klingan.
- ◆ **Arbetsstycket måste vara stationärt eller klämmas fast eller hållas mot både anslaget och bordet. Mata inte in arbetsstycket mor klingan eller såga på "fri hand" på**

något sätt. Okontrollerade eller rörliga arbetsstycken kan kastas iväg i hög hastighet och orsaka skador.

- ◆ **Skjut sågen genom arbetsstycket. Dra inte sågen genom arbetsstycket. För att göra en kapning, lyft upp såghuvudet och dra ut det över arbetsstycket utan att såga, starta motorn, tryck ned såghuvudet och skjut sågen genom arbetsstycket.** Sågning vid dragningen kommer troligtvis att göra att klingan klättra ovanpå arbetstycket och på ett våldsamt sätt kasta klingmontaget mot operatören.
- ◆ **Korsa aldrig din hand över den avsedda såglinjen, varken framför eller bakom sågklingan.** Stödjande av arbetsstycken med "korsade händer" d.v.s. hålla fast arbetsstycket till höger om sågklingan med vänstra handen eller vice versa är mycket farligt.
- ◆ **Sträck dig inte bakom anslaget med någon hand närmare än 100 mm från någon sid av sågklingan för att ta bort träskräp eller av någon annan anledning medan klingan snurrar.** Närheten av handen till sågklingan är inte alltid uppenbart och du kan skadas allvarligt.
- ◆ **Inspektera arbetsstycket innan sågningen. Om arbetsstycket är böjt eller skevt, kläm fast det med den böjda sidan riktad mot anslaget. Se alltid till att det inte finns något gap mellan arbetsstycket, anslaget och bordet längs med såglinjen.** Böjda eller skeva arbetsstycken kan vrida sig eller skifta läge och orsaka klämning på den snurrande sågklingan under sågningen. Det får inte finnas några spikar eller främmande föremål i arbetsstycket.
- ◆ **Använd inte sågen innan bordet rensats från alla verktyg, träskräp etc. förutom arbetsstycket.** Smått skräp eller lösa trädelar eller andra föremål som kommer i kontakt med den snurrande klingan kan kastas iväg i hög hastighet.
- ◆ **Såga endast ett arbetsstycke i taget.** Staplade flera arbetsstycken kan inte korrekt klämmas fast eller byglas och kan göra att klingan kärvar eller förflyttas under sågningen.
- ◆ **Se till att geringssågen är monterad eller placerad på en plan och fast arbetsyta innan användning.** En plan och fast arbetsyta minskar risken för att geringssågen blir ostadig.
- ◆ **Planera ditt arbete. Varje gång som du ändrar inställningen för lutningen eller geringsvinkeln se till att det justerbara anslaget ställs in korrekt för att stödja arbetsstycket och inte kommer att störa klingan eller skyddssystemet.** Utan att slå på verktyget och utan arbetsstycket på bordet, flytta sågklingan genom en komplett simulerad sågning för att garantera att det inte finns några hinder eller risker för att såga i anslaget.

- ◆ **Tillhandahåll adekvat stöd såsom bordsförlängning, sägbockar etc. för ett arbetsstycke som är bredare eller längre än bordsskivan.** Arbetsstycken som är längre eller bredare än geringssågbordet kan tippa om de inte stöds säkert. Om den avsågade delen eller arbetsstycket tippar kan det lyfta det nedre skyddet eller kastas iväg av den snurrande klingan.
- ◆ **Använd inte en annan person som ett substitut för bordsförlängning eller som ytterligare stöd.** Instabil stöd för arbetsstycket kan göra att klingan kläms fast eller att arbetsstycket förflyttas under sågningen och dra in dig eller din hjälpreda in i den snurrande klingan.
- ◆ **Den avsågade delen får inte klämmas fast eller pressas på något sätt med något hjälpmedel mot den snurrande klingan.** Vid begränsad längd, d.v.s. användning av längdstopp kan den avsågade delen kilas fast mot klingan och kastas iväg våldsamt.
- ◆ **Använd alltid en klämma eller tving som är designad att korrekt stödja material såsom stänger eller rörledning.** Stänger har en tendens att rulla medan de sågas och gör att klingan biter fast och drar arbetet med dina händer in i klingan.
- ◆ **Låt klingan nå dess fulla hastighet innan kontakt med arbetsstycket sker.** Detta kommer att minska risken för att arbetsstycket kastas iväg.
- ◆ **Om arbetsstycket eller klingan kläms fast, stäng av geringssågen.** Vänta till alla rörliga delar stannat och koppla ifrån kontakten från strömkällan och/eller ta bort batteripaketet. Arbeta sedan på att ta bort det fastklämda materialet. Att fortsätta att såga med ett fastklämt arbetsstycke kan göra att kontrollen förloras eller att geringssågen skadas.
- ◆ **Efter att sågningen avslutats, håll ned såghuvudet och vänta på att klinga skall stoppa innan du tar bort den avsågade delen.** Att sträcka ut handen nära den roterande klingan är farligt.

Ytterligare säkerhetsinstruktioner för geringssågar

- ◆ **Håll i handtaget ordentligt när du gör ett ofullständig snitt eller när du släpper brytaren innan såghuvudet är helt i det nedre läget.** Sågens bromsverkan kan få såghuvudet att plötsligt dra nedåt, vilket medför risk för skada.
- ◆ Avsedd användning beskrivs i denna bruksanvisning. Om andra tillbehör eller tillsatser används, eller om någon annan åtgärd än de som rekommenderas i den här bruksanvisningen utförs med verktyget, kan personer och/eller egendom ta skada.
- ◆ Använd inte spruckna, böjda, skadade eller deformerade klingor.
- ◆ Byt sågplattan när den är sliten.

- ◆ Använd inte klingor med större eller mindre diameter än rekommenderat. För korrekt klingklassificering se tekniska data. Använd endast klingor som specificeras i denna manual som uppfyller EN 847-1.
- ◆ Använd inte sågklingor som är tillverkade av snabbstål (HSS).



Varning! Kontakt med eller inandning av damm från sågningen kan skada den som använder verktyget och andra i närheten vid kontakt eller inandning. Använd en specialkonstruerad ansiktsmask som skyddar mot damm och ångor och se till att personer som vistas inom eller i närheten av arbetsområdet också är skyddade.

- ◆ Arbeta aldrig med material som innehåller asbest. Asbest anses vara cancerframkallande.
- ◆ Bär handskar när du hanterar sågklingor och grova material (sågklingor ska bäras i en hållare när det är möjligt).
- ◆ Använd hörselskydd för att minska risken för hörselskador.
- ◆ Använd om möjligt specialkonstruerade och bullerdämpande klingor.
- ◆ Använd ögonskydd för att minska risken för personskador.
- ◆ Använd den medföljande dammpåsen när du sågar i trä.
- ◆ **Håll elverkytet i de isolerade greppytorna när arbete utförs där sågtillbehöret kan komma i kontakt med dolda elledningar eller dess egen sladd.** Kapitillbehör som kommer i kontakt med en strömförande ledning kan göra att exponerade metalldelar hos elverkytet blir strömförande och kan ge användaren en elstöt
- ◆ Välj korrekt sågklinga för det material som skall sågas.
- ◆ Använd inte maskinen utan att montera skyddet. Använd inte maskinen om skyddet inte fungerar eller inte rätt underhållet.
- ◆ Se till att armen sitter säkert fast vid geringssågning.
- ◆ Innan varje sågning se till att maskinen är stabil.
- ◆ Håll handtagen torra, rena och fria från olja och fett.
- ◆ Håll området runt maskinen välordnat och fritt från löst material, t.ex. spån och spillbiter.
- ◆ Se till att maskinen och arbetsområdet har tillräcklig allmän- eller direktbelysning.
- ◆ Låt inte oerfarna personer använda den här maskinen.
- ◆ Kontrollera att klingan är korrekt monterad innan användning. Se till att klingan roterar i korrekt riktning. Håll klingan vass. Följ anvisningen för smörjning och byte av tillbehör.
- ◆ Se till att hastigheten som markerats på sågklingan är minst lika med den hastighet som är markerad på sågen.
- ◆ Se till att alla distanser och spindelringar som används är lämpliga för det syfte som anges av BLACK+DECKER.
- ◆ Reparation av vägledningssystemet för såglinjen ska utföras av auktoriserad BLACK+ DECKER servicepersonal.

- ◆ Ta bort maskinen från elnätet innan något underhåll utförs eller när klingan byts.
- ◆ Utför aldrig rengöring, underhåll eller borttagning av spillbitar eller andra delar av arbetsstycket inom kapområdet när maskinen är igång och såghuvudet inte är i viloläge.
- ◆ När så är möjligt montera alltid maskinen på en bänk.
- ◆ Se till att alla låsrattar och handtag är ordentligt åtdragna innan du börjar arbeta.
- ◆ Använd aldrig sågen utan bordsinlägg.
- ◆ Försök aldrig att snabbt stoppa maskinen när den roterar genom att slå ett verktyg eller liknande mot klingan eftersom det kan leda till allvarliga olyckor.
- ◆ Läs bruksanvisningen innan du använder eller monterar något tillbehör. Felaktig användning av ett tillbehör kan orsaka skador.
- ◆ Höj upp klingan från arbetsstycket innan du släpper upp strömbrytaren.
- ◆ Kila aldrig fast något mot fläkten för att hålla motoraxeln.
- ◆ Klingskyddet på dig såg kommer automatiskt att lyftas när armen förs ned, det kommer att sänkas över klingan när armen höjs. Skyddet kan lyftas för hand vid installation eller borttagning av klingor eller för inspektion av sågen. Höj aldrig klingskyddet manuellt om inte maskinen är avstängd.
- ◆ Kontrollera regelbundet att motorns luftöppningar är rena och fria från spån.
- ◆ Se alltid till att elverktygets varnings skyltar går att läsa.
- ◆ Stå aldrig på elverktyget. Elverktyget kan tippa över eller du kan komma åt sågklingan, vilket kan leda till allvarliga skador.
- ◆ Vidrör aldrig sågklingan innan den har svalnat. Sågklingan blir mycket varm under arbetet.
- ◆ Undvik att bitar kastas iväg genom att dra ut sågens nåtsladd så att den inte startas oavsiktligt och ta sedan bort småbitar.
- ◆ Kontrollera att klingskyddet fungerar korrekt innan användning och efter underhåll. Denna kontroll måste göras med sågen avstängd och nåtsladden urdragen. Armen måste höjas och sänkas för att säkerställa att skyddet täcker klingan och att klingan inte kommer i kontakt med skyddet. Om skyddet inte fungerar på rätt sätt ska det repareras av en utbildad reparatör. Kontakta BLACK+DECKER kundtjänst för att hitta närmaste återförsäljare.
- ◆ **Den här geringssågen har designats endast för sågning av trä, plast och icke-järnhaltiga metaller.** Använd inte sågen för att såga andra material än de som rekommenderas av tillverkaren.
- ◆ Vidrör aldrig sågklingan innan den har svalnat. Sågklingan blir mycket varm under arbetet.



Varning! Sågning i plast, savtäckt trä eller annat material kan orsaka att smält material ackumuleras på klingspetsarna och själva sågklingan vilket ökar risken för att klingan överhettas och kärvar under sågningen.

Återstående risker

Följande risker följer med användning av sågar: Även om alla relevanta säkerhetsanvisningar följs och säkerhetsanordningar används kan vissa ytterligare risker inte undvikas. Dessa omfattar:

- ◆ Skador orsakade av att roterande/rörliga delar vidrörs.
- ◆ Hörselnedsättning.
- ◆ Olycksrisker som orsakas av den roterande klingans oskyddade delar.
- ◆ Risk för skador som uppstår vid byte av delar, klingor eller tillbehör.
- ◆ Risk att fingrar kläms när skydden öppnas.
- ◆ Hälsosofara orsakade av inandning av damm som uppkommer vid sågning av trä, särskilt ek, bok och MDF.
- ◆ Skador som orsakas av långvarig användning av ett verktyg. Se till att regelbundet ta vilopauser när du använder ett verktyg under en längre period.

Buller

De uppgivna bullervärdena har uppmätts i enlighet med en standardtestmetod och kan användas för jämförelser med andra verktyg.

De angivna bullervärdena kan även användas för en preliminär bedömning av exponeringen.

Varning! Bullervärdena under faktisk användning av elverktyget kan skilja sig från de uppgivna värdena beroende på hur verktyget används, särskilt vilka typer av arbetsstycken som behandlas.

Varning! Använd alltid personliga hörselskydd. Under vissa omständigheter och vid användning kan buller från denna produkt bidra till hörselskador. Var uppmärksam på följande faktorer som påverkar exponeringen för buller:

- ◆ Använd sågklingor som konstruerats för att minska bullernivån,
- ◆ Använd endast väl slipade sågklingor och
- ◆ Använd särskilt designade bullerreducerande sågklingor.

Etiketter på verktyget

Följande symboler tillsammans med datumkoden är synliga på verktyget:



Varning! Läs bruksanvisningen före användning för att minska risken för personskador.



Använd säkerhetsglasögon eller skyddsglasögon



Bär hörselskydd



Använd en andningsmask



Denna produkt får inte användas av barn under 16 år



Håll alltid händerna undan från klingan



Handfri zon - håll fingrar och armar borta från roterande sågklingor



Bär handskar när du hanterar sågklingor



Titta inte direkt in i arbetslampan



Utsätt den inte för regn.



Koppla ifrån elkontakten om sladden skadas eller trasslar ihop sig.

Elsäkerhet



Eftersom verktyget är dubbelisolerat behövs ingen jordledare. Kontrollera alltid så att spänningen på nätet motsvarar den spänning som finns angiven på märkplåten.

- ◆ Om nätsladden är skadad måste den bytas ut av tillverkaren eller en auktoriserad BLACK+DECKER-verkstad för att undvika farliga situationer.

Spänningsfall

Inkopplingsströmmar orsakar korta spänningsfall. Annan utrustning kan påverkas under ogynnsamma strömförhållanden. Om spänningskällans systemimpedans är lägre än 0,178 Ω kommer sannolikt inga störningar att inträffa.

Använda förlängningssladd

Använd alltid en godkänd förlängningssladd som klarar verktygets ineffekt (se Tekniska data). Innan du använder sladden, kontrollera att den inte är skadad, sliten eller nött. Byt ut förlängningssladden om den är skadad eller defekt. Om du använder en sladdvinda, vira alltid av sladden fullständigt. Om du använder en förlängningssladd som inte är lämplig för verktyget eller som är skadad eller defekt ökar risken för brand och elektriska stötar.

Funktioner

Detta verktyg har några eller samtliga av följande funktioner.

1. Glidstänger
2. Fasningslåsratt
3. Stödstativ
4. Tving för arbetsstycke
5. Bordsförlängarskena
6. Bulthål
7. Visare geringsvinkel
8. Bordsinsats
9. Låsratt för gering
10. Bottenplatta
11. Vridbord
12. Bakre anslag
13. Sågblad
14. Bladskydd
15. Monteringsplatta säkerhetsskydd
16. Motorhölje
17. Låsstift såghuvud
18. Huvudhandtag
19. Strömbrytare
20. Säkerhetsfrigöringsspak
21. Skärinljebelysning på/av-knapp
22. Bärhandtag
23. Damppåse
24. Justerbar stödfot
25. Visare fasningsvinkel
26. Geringsvinkelskala
27. Fasningsvinkelskala
28. Låsskruv glidstång
29. Djup på sågskruv
30. Bladbytesverktyg
31. Spindellås
32. Geringslåsfrikoppling
33. Låsskruv förlängarskena
34. Klämlåsskruv
35. Låsskruv glidanslag
36. Kabellinda

Montering

Din geringssåg är delvis monterad i kartongen.

- ◆ Öppna lådan och lyft ut sågen.
- ◆ Placera sågen på en jämn och plan yta såsom en arbetsbänk eller ett stadigt bord.
- ◆ Utforska monteringsdiagrammet på sidan 2 i denna manual för att bekanta dig med sågen och dess olika delar. Sektionen om inställningar kommer att referera till dessa termer och du måste veta vad och var delarna finns.
- ◆ När verktyget sänds låses handtaget i sänkt läge med såghuvudets låsstift (17). Dra ut såghuvudets låsstift (17) och rotera det 90°, antingen medurs eller moturs, såsom visas i bild A.

- ◆ Låsrammen för gering (9) är inte monterad vid leverans. Ta bort låsrammen för gering (9) från förpackningen och skruva fast den på sågen, se bild B för position.

Bordsförlängarskena (bild C och D)

Din geringssåg levereras med 2 bordsförlängarskenor (5) för att stödja långa överhängande arbetsstycken.

- ◆ Dra bordsförlängarskenan (5) till önskad längd för arbetsstycket som visas i bild C.
- ◆ Säkra i läge genom att dra åt förlängningsskenans låsskruv (33) som visas i bild D.
- ◆ Upprepa processen på motsatt sida.

Stödstativ - BES710 endast (bild E)

Din BES710 geringssåg levereras med 1 stödstativ (3) som finns på baksidan av enheten förbättra stabiliteten.

Bänkmontage (bild F)

Geringssågen kan bultas med fyra bultar (6a) (medföljer ej) till en jämn och stabil yta med hjälp av bulthålen (6) som finns i verktygsbasen. Detta kommer att bidra till att förhindra tippling och eventuell skada.

Dammuppsamling (bild G)

Användningen av dammpåsen (23) gör kapningen ren och dammsugning enkel.

- ◆ För att fästa dammpåsen (23), sätt den på dammunstycket (23a).
- ◆ När dammpåsen (23) är ungefär halvfull, ta bort den från verktyget.
- ◆ Töm dammpåsen på dess innehåll, knacka lätt på den för att avlägsna partiklar som klibbar fast på insidan som kan hindra ytterligare uppsugning.

Notera: Om du ansluter en verkstadsdammsugare till din såg kan effektivare och renare arbeten utföras.

Installera klämman för arbetsstycket (bild H)

- ◆ Sätt in klämman (4) i hålet (4c) bakom anslaget. Klämman måste vara riktad mot baksidan av geringssågen. Spåret på klämstaven ska vara hel isatt i basen. Se till att skåran är helt isatt i basen hos geringssågen. Om skåran är synlig är klämman inte fastsatt.
- ◆ Roter klämman 180° mot fronten på geringssågen.
- ◆ Lossa ratten (4b) för att justera klämman uppåt eller nedåt, använd sedan fininställningsratten (4a) för att fästa klämman på arbetsstycket.

Notera: Placera klämman på motsatt sida av basen vid färdig. GÖR ALLTID TOMKÖRNINGAR (UTAN STRÖM) INNAN DEN SLUTLIGA SÅGNINGEN SÅ ATT DU KAN KONTROLLERA KLINGANS VÄG. SE TILL ATT KLÄMMAN INTE ÄR I VÄGEN FÖR SÅGEN ELLER SKYDDEN.

Byta eller installera en ny sågklinga (bild I, J, K)

Varning! För att minska risken för allvarliga personskador stäng av verktyget och koppla bort det från strömkällan innan det flyttas, tillbehör ändras eller några inställningar görs.

Varning! Tryck aldrig ned spindellåsknappen (31) när klingan är ansluten till ström eller i rörelse.

Varning! Säga aldrig järnhaltig metall (innehåller järn eller stål) eller murverk eller fibercementprodukter med denna geringssåg.

Avlägsnande av klingan

- ◆ Koppla ifrån sågen
- ◆ Lyft upp armen till det översta läget och lyft upp skyddet (14) så långt som möjligt.
- ◆ Lossa, men ta inte bort, skyddsconsolens skruv (13c) förrän konsolen kan lyftas tillräckligt för att komma åt klingskruven (13a). Nedre skyddet kommer att fortsätta vara upphöjt på grund av positionen på skyddsconsolens skruv som visas i bild I.
- ◆ Tryck in spindellåsknappen (31) medan sågklingan försiktigt roteras för hand tills låset aktiveras som i bild J.
- ◆ Fortsätt att hålla knappen intryckt, använd den andra handen för att med den medföljande nyckeln (30) lossa klingans skruv (13a). (Vrid medurs, vänstergång.)
- ◆ Ta bort klingskruven (13a), den yttre klämbrickan (13d), klingan (13) och klingadaptorn (13e) om sådan används. Den inre klämbrickan (13f) kan lämnas kvar på spindeln.

Installera en klinga

- ◆ Koppla ifrån sågen
- ◆ Med armen lyft, skyddet hållt öppet och skyddshållaren öppen, placera klingan på spindeln på klingadaptorn och placera den på den inre klingklämman med tändarna nederst på klingan pekande bakåt på sågen.
- ◆ Montera den yttre klämbrickan på spindeln.
- ◆ Montera klingskruven och aktivera spindellåset, dra åt skruven med den medföljande nyckeln (vrid moturs, vänstergång).

Inställning av geringsvinkeln (bild L)

- ◆ Lossa handtaget (9) genom att vrida det moturs.
- ◆ Använd geringslåsfrikopplingen (32) för att flytta vridbordet (11) till läget där pekaren (7) pekar på önskad vinkel på geringsskalan (26), dra åt handtaget medurs.
- ◆ Den justerbara stödfoten (24) är för att hålla verktyget i balans. Efter varje justering av geringsvinkel ska du vrida vredet mot foten medurs eller moturs tills dess botten berör marken. Det finns två positioner beroende på djupet på din arbetsbänk.

Fräsdjup

Om du vill skära ett spår kan du ställa in sågdjupet med sågskruven (29) eller klingan.

- ◆ Vrid sågdjupsskruven (29) och fixera med låsmuttern.

Justering av anslag

Innan vinkelsågning, se till att ingen del av verktyget kommer i kontakt med anslaget (12) när du sänker och lyfter handtaget helt och hållet vid någon position och drar eller skjuter vagnen hela vägen vid den lägsta positionen. Innan du använder verktyget, kontrollera att glidanslaget är ordentligt fastsatt av glidanslagslåsskruven (35).

Varning! När du utför vinkelsågning skjuter du glidanslaget åt vänster och säkrar. I annat fall kommer det att komma i kontakt med klingan eller en del av verktyget, vilket kan orsaka allvarliga skador på operatören.

Detta verktyg är utrustat med glidanslag som normalt bör placeras centralt. När du utför vinkelkapning vänster ska du dock ställa in den till vänsterpositionen om verktygshuvudet kommer i kontakt med det. När vinkelkapningen är slutförd, glöm inte att föra tillbaka glidanslaget till ursprungs läget och säkra det genom att dra åt glidanslagets låsskruv (35) ordentligt.

Inställning av fäsvinkeln (bild M)

Vid lutning av vagnen till vänster, lossa spaken (2) på baksidan av verktyget moturs. Lås upp armen genom att trycka handtaget ganska kraftigt i endast en riktning.

- ◆ Vik sågklingan tills pekaren (25) pekar på önskad vinkel på fasskalan (27).
- ◆ Dra åt spaken (2) medurs för att fästa armen.

Varning! Vid lutning av sågbladet, var noga med att höja handtaget helt. Efter att fäsvinkeln ändrats, säkra alltid armen genom att dra åt spaken medurs.

Varning! Vid lutning av sågklingan, var alltid medveten om huvudets vikt och se till att det inte välter över.

Omkoppling (bild N)

Försiktighet! Innan verktyget kopplas in, kontrollera alltid att brytaren (19) aktiveras korrekt och återgår till AV-positionen när den släpps.

- ◆ För att starta verktyget, skjut säkerhetsspaken (20) till höger med pekfingeret.
- ◆ Tryck på brytaren (19).
- ◆ För att stoppa verktyget, släpp brytaren (19).

Varning! Använd aldrig verktyg utan en helt fungerande brytare. Ett verktyg med en trasig brytare är MYCKET FARLIGT och måste repareras före användning.

Användning av vägledningssystemet för såglinjen (bild N)

Notera: Geringssågen måste anslutas till en strömkälla. Vägledningssystemet för såglinjen har en på/av brytare (21). Vägledningssystemet för såglinjen är oberoende från geringssågens brytare.

Lampan behöver inte vara tänd för att arbeta med sågen. Sågning efter ett befintligt pennstreck på ett arbetsstycke:

- ◆ Slå på vägledningssystemet för såglinjen, dra sedan ned drifhandtaget (18) för att föra klingan närmare arbetsstycket. Skuggan från klingan kommer att visas på arbetsstycket.
- ◆ Rikta in pennstrecket mot klingans skugga. Du kan behöva ställa in gerings- eller fäsvinkeln så att den exakt matchar pennstrecket.

Kapningar

En kapning görs genom att kapa trä över fibrerna i någon vinkel. En rak kapning görs med geringsarmen i positionen noll grader. Ställ in och lås geringsarmen på noll, håll fast träbiten mot bordet och mot anslaget. Med styrskenlås-ratten åtdragen, slå på sågen genom att trycka på avtryckaren (19).

När sågen kommer upp i fart (efter ungefär en sekund) sänk ned armen mjukt och långsamt för att såga genom virket. Låt klingan stanna helt innan armen lyfts upp.

Vid kapning av något större än 51 x 102 mm., använd en ut-ned-tillbakarörelse med styrskenlås-skruven lossad. Dra sågen mot dig, sänk ned såghuvudet mot arbetsstycket och tryck sakta sågen tillbaka för att fullfölja kapningen. Låt inte sågklingan komma i kontakt med ovasidan av arbetsstycket när den dras ut. Sågen kan köra mot dig och eventuellt orsaka personskadorna eller skador på arbetsstycket.

Varning! Använd alltid en arbetsklämma för att bibehålla kontrollen och minska risken för personskadorna och skador på arbetsstycket.

Notera: Skenlås-vredet måste vara löst för att låta sågen glida långsamt med skenorna.

Geringskapning görs med geringsarmen i någon annan vinkel än noll. Denna vinkel är oftast 45° för att såga hörn men kan ställas in från noll till 47° vänster eller 47° höger. Utför kapningen enligt beskrivningen ovan.

Sågning efter ett befintligt pennstreck på ett arbetsstycke, matcha vinkeln så nära som möjligt. Såga trät lite längre och mät från pennstrecket till sågkanten för att avgöra i vilken riktning geringsvinkel och sågningen skall göras igen. Detta kräver lite övning men är en vanlig teknik.

Kropp- och handposition (bild O1–O4)

Rätt placering av kroppen och händerna när geringssågen hanteras gör sågningen enklare, mer korrekt och säkrare. Håll aldrig händerna nära sågningsområdet. Placera inte dina händer närmare än 152 mm från klingan. Håll arbetsstycket tätt mot bordet och anslaget under sågningen. Håll händerna i positionerna tills strömbrytaren frigjorts och klingan stannat helt och hållet. GÖR ALLTID TOMKÖRNINGAR (UTAN STRÖM) INNAN DEN SLUTLIGA SÅGNINGEN SÅ ATT DU KAN KONTROLLERA KLINGANS VÄG. KORSA INTE HÄNDERNA SÅSOM VISAS I FIGUR O3 och O4. Ha båda fötterna stadigt på golvet och bibehåll en korrekt balans. När du flyttar geringsarmen åt vänster och höger, följ den och stå något på sidan om sågklingan. Titta genom skyddsgallret när ett pennstreck följs.

Fasvinkelinställning mot bord (bild P)

För att rikta i klingans vinkel mot bordet, läs armen i nedre läget med låspinnen. Placera en vinkelhake mot klingan, se till att vinkelhaken inte befinner sig ovanpå en tand. Lossa faslåsratten och se till att armen är fast mot 0° fasstoppet. Vrid på 0° fasinställningsskruven med 10 mm-hylsan (medföljer inte) om så behövs så att klingan befinner sig vid 0° vinkel mot bordet, uppmätt med vinkelhaken.

Kapa fotoramar, skugglådor och andra fyrsidiga projekt (fig Q1, Q2)

För att bäst förstå hur dessa poster görs som listas här förslår vi att du provar några enkla projekt med några skräpbitar tills du utvecklat en "känsla" för din såg. Din såg är ett perfekt verktyg för geringssågning av hörn såsom den som visas i bild Q1. Skiss A i bild Q2 visar en sammanfogning med fasinställning för fasning av kanter för de två skivorna vid 45° vardera för att producera ett 90° hörn. För denna sammanfogning är geringsarmen låst i nollläget och fasinställningen är låst vid 45°. Brädan placeras med den breda plattan sidan mot bordet och den smala kanten mot anslaget. Sågningen kan göras med gering höger och vänster med den breda ytan mot anslaget.

Såga trimformning och andra ramar (bild Q2)

Skiss B i bild Q2 visar en sammanfogning som gjorts med geringsarmen i 45° för geringssågning av de två skivorna för att forma ett 90° hörn. För att göra denna typ av sammanfogning ställ in fasinställningen på noll och geringsarmen på 45°. Igen, placera brädan med den breda plattan sidan mot bordet och den smala kanten mot anslaget. Bilderna Q1 och Q2 är för endast till för fyrsidiga föremål. När antalet sidor ändras, ändras också gering- och fasvinklarna.

Tabellen nedan ger de korrekta vinklarna för en mängd olika former.

Antal sidor	Gering eller fasvinkel
4	45°
5	36°
6	30°
7	25,7°
8	22,5°
9	20°
10	18°

Tabellen förutsätter att alla sidor är lika långa. För en form som inte visas i tabellen använd följande formel: 180° delat med antal sidor är lika med geringen (om materialet som sågas är vertikalt) eller fasvinkel (om materialet ligger plant).

Såga sammansatta geringar (bild Q3)

En blandad gering är en sågning som görs med en geringsvinkel och en fasvinkel samtidigt. Denna typ av sågning används för att göra ramar eller lådor med lutande sidor såsom den som visas i bild Q3.

Notera: Om sågvinkeln varierar mellan sågningarna kontrollera att faslåsratten och geringslåshandtaget är låsta. Dessa måste låsas efter att ändringar gjorts i fasvinkeln eller geringen.

Såga basformer (bild R)

Rak 90° kapning:

Placera träet mot anslaget och håll det på plats såsom visas i bild R. Slå på sågen, låt klingan nå full hastighet och sänk ned armen försiktigt genom sågningen.

Såga basformer upp till 70 mm/ 90 mm högt vertikalt mot anslaget

BES700 - 70 mm för 216 mm

BES710 - 90 mm för 254 mm

Placera materialet såsom visas i bild R. Alla sågningar bör göras med baksidan av formen mot anslaget och med undersidan på formen mot bordet.

	Insida hörn	Utsida hörn
Vänster sida	Gering vänster 45° Spara vänster sida om snittet	Gering höger 45° Spara vänster sida om snittet
Höger sida	Gering höger 45° Spara höger sida om snittet	Gering vänster 45° Spara höger sida om snittet

Material upp till 70 mm/90 mm kan sågas såsom beskrivs ovan.

BES700 - 70 mm för 216 mm

BES710 - 90 mm för 254 mm

Såga toppformning

För att passa korrekt måste toppformning vara sammansatt gering med extrem korrekthet. De två plana ytorna för en given del på toppformningen har en vinkel som när de läggs samman är lika med exakt 90°. De flesta, men inte alla, toppformningar har en toppbakvinkel (den del som passar platt mot taket) på 52° och en botten bakvinkel (den del som passar platt mot väggen) på 38°. Din geringssåg har en speciell förinställd geringsspärtpunkt på 31,6° vänster och höger för sågning av toppformning i korrekt vinkel. Det finns också en märkning på fasskalan vid 33,9°. Tabellen nedan för fasinställning/typ av sågning ger de korrekta inställningarna för sågning av toppformning. (Siffrorna för geringen och fasningen är mycket precisa och är inte lätt att noggrant ställa in på din såg.) Eftersom de flesta rum inte har vinklar på exakt 90° kommer du att behöva fininställa dina inställningar i alla fall.

Instruktioner för sågning av toppformning liggande plant och användning av den sammansatta funktionerna

- ◆ Lägg ned formen med den breda baksidan plant på bordet (bild S1).
- ◆ Inställningarna nedan är för all standardtoppformning med 52° och 38°-vinklar.

Fasinställning	Typ av sågning
33,9°	VÄNSTER SIDA, INSIDA HÖRN: 1. Toppen på formen mot anslaget 2. Geringstabell inställning höger 31,6° 3. Spara vänstra änden av snittet
33,9°	HÖGER SIDA, INSIDA HÖRN: 1. Undersidan av formen mot anslaget 2. Geringstabell inställning vänster 31,6° 3. Spara vänstra änden av snittet
33,9°	VÄNSTER SIDA, UTSIDA HÖRN: 1. Undersidan av formen mot anslaget 2. Geringstabell inställning vänster 31,6° 3. Spara högra änden av snittet
33,9°	HÖGER SIDA, UTSIDA HÖRN: 1. Toppen på formen mot anslaget 2. Geringstabell inställning höger 31,6° 3. Spara högra änden av snittet

Notera: Vid inställning av fas- och geringsvinklarna för alla sammansatta ringar, kom ihåg att vinklarna som presenteras för toppformning är mycket precisa och svåra att ställa in exakt. Eftersom det lätt kan skifta något och mycket få rum har exakta rätvinkligna hörn skall alla inställningar testas på skräpformer.

Alternativ metod för sågning av toppform

Placera formen i en vinkel mellan anslaget (12) och sågbordet (11), med ovansidan av formen på bordet och undersidan av formen mot anslaget såsom visas i bild S2. Fördelen med att såga toppformer med denna metod är att ingen fassågning krävs. Små ändringar i geringsvinkeln kan göras utan att det påverkar fassvinkeln. På detta sätt kan, när andra hörn än 90° påträffas, sågen snabbt och lätt ställas in för dessa.

Instruktioner för sågning av toppformer vinklad mellan anslaget och sågens bas för alla sågningar

Denna såg kan såga upp till 14 mm x 92 mm kapslade toppformer.

- ◆ Vinkla formen så att botten på formen (delen som går mot väggen vid installation) är mot anslaget (12) och överdelen av formen vilar mot sågbordet (11) såsom visas i bild S2.
- ◆ Den vinklade "platta delen" av formen måste vila vinkelrät mot anslaget och sågbordet.

	Insida hörn	Utsida hörn
Vänster sida	Gering höger 45° Spara höger sida om snittet	Gering vänster 45° Spara höger sida om snittet
Höger sida	Gering vänster 45° Spara vänster sida om snittet	Gering höger 45° Spara vänster sida om snittet

Specialsågningar

Gör aldrig några sågningar såvida inte materialet sitter fast på bordet och mot anslaget.

Böjda material (bild T1, T2)

Vid sågning av böjda material placera dessa alltid såsom visas i bild T1 och aldrig såsom visas i bild T2. Felaktig placering av materialet kan göra att det nyper fast klingan när kapningen slutförs.

Sågning av runt material

Runda material skall klämmas fast eller hållas fast mot anslaget för att förhindra att det rullar. Detta är extremt viktigt vid vinkelsågningar.

Såga stora material (bild U)

Emellanåt kommer du att stöta på trädelar som är för stora att passa mellan de nedre skydden. Ha sågen avstängd och din högra hand på drifhandtaget, placera din högra tumme på utsidan av övre delen av skyddet och rulla upp skyddet precis tillräckligt som att det går fritt från träet, såsom visas i bild U. Släpp skyddet innan motorn startas. Skyddsmekanismen kommer att fungera korrekt under sågningen. Gör endast detta när det är nödvändigt. BIND ALDRIG ELLER PÅ ANNAT SÅTT HÅLL SKYDDET ÖPPET NÄR SÅGEN ANVÄNDS.

Varning! Se alltid till att verktyget är avstängt och utdraget ur kontaktuttaget innan justeringar görs eller verktygets funktioner kontrolleras.

Efter användning

- ◆ Efter användning, torka av flis och damm som klibbar fast vid verktyget med en trasa eller liknande.
- ◆ Håll klingskyddet rent enligt anvisningarna i de tidigare avsnittet.
- ◆ Smörj gliddelarna med maskinolja för att förhindra rost.
- ◆ När du förvarar verktyget, dra vagnen mot dig helt.

Bära verktyget

- ◆ Kontrollera att verktyget inte är anslutet till elnätet.
- ◆ Säkra klingan i 0 °-vinkeln och vrid basen till höger geringsvinkel fullt ut med glidanslagets låsskruv (28).
- ◆ Säkra glidstångerna efter att ha dragit vagnen mot dig helt.
- ◆ Sänk handtaget helt och lås det i läge genom att skjuta in såghuvudets låsstift (17).
- ◆ Bär verktyget genom att hålla i bärhandtaget (22).
- ◆ Om du tar bort klämman, dammpåse etc, kan du lättare använda verktyget.
- ◆ Bär verktyget med en hand som håller bärhandtaget (22) och en hand som håller verktygsbasen.

Försiktighet! Säkra alltid alla rörliga delar innan du bär verktyget. Såghuvudets låsstift (17) är endast för bär- och förvaringsändamål och inte för någon sågning.

Felsökning

Problem	Möjlig orsak	Lösning
Motorn startar inte	Sågen är inte ansluten till elnätet.	Kontrollera att alla kablar är inkopplade.
Skärvinkeln är felaktig	Geringstabell oläst.	Använd geringstabellens låsspak (se avsnittet Inställning av geringsvinkeln).
	För mycket sågsån under bordet.	Dammsug eller blås ut damm. Bär ögonskydd.
Skärarmen kan inte höjas helt, eller klingskyddet kan inte stängas helt	Delar trasiga.	Kontakta servicecentret.
	Svängfjädern byttes inte ordentligt efter service.	Kontakta servicecentret.
	Sågsån byggs upp.	Rengör och smörj rörliga delar.
	Såghuvudets låsstift är inte inställt korrekt.	Kontrollera, justera och sätt in såghuvudets låsstift.

Problem	Möjlig orsak	Lösning
Klingorna fastnar, hackar eller skakar	Sågklingan skadad.	Byt klingan.
	Slö klinga.	Byt eller slipa klingan.
	Felaktig klinga.	Byt klingan.
	Skev klinga.	Byt klingan.
Såg vibrerar eller skakar	Sågklingan skadad.	Byt klingan.
	Sågklingan lossat.	Dra åt bulten.
	Sågen inte ordentligt fastsatt.	Sätt fast sågen vid en bänk, stativ eller bord.
	Arbetsstycke som inte stöds korrekt.	Stöd eller fäst arbetsstycket ordentligt.

Skydda miljön



Separat insamling. Produkter och batterier som är markerade med denna symbol får inte kastas i de vanliga hushållsoporna.

Produkter och batterier innehåller material som kan återanvändas eller återvinnas för att minska behovet av råmaterial. Återvinn elektriska produkter och batterier enligt lokala föreskrifter. Närmare information finns tillgänglig på www.2helpU.com.

Tekniska data

		BES700 Typ 1	BES710 Typ 1
Spänning	V	230	230
Hastighet	/min	4800	5000
Klingans yttre diameter	mm	216	254
Håldiameter	mm	30	30
Vikt	kg	12,1	14,9
Tjocklek klinga	mm	1,8	1,8
Klinga max gering	mm	2,8	2,8
Gering (maxlägen)	°	+/- 47	+/- 47
Fasning (maxlägen)	°	47	47
Max. tvärsnittskapacitet vid 90 °	mm	305	305
Max. geringskapacitet vid 45 °	mm	203	203
Max. djup sågning vid 90 °	mm	70	90
Max. djup sågning vid 45 °	mm	35	40

Ljudtrycksnivå enligt EN 62841:

L_{pA} (ljudtryck) 97,5 dB(A), osäkerhet (K) 3 dB(A)

L_{wA} (ljudeffekt) 108,0 dB(A), osäkerhet (K) 3 dB(A)

Ljudtrycksnivå enligt EN 62841:

L_{pA} (ljudtryck) 96,0 dB(A), osäkerhet (K) 3 dB(A)

L_{wA} (ljudeffekt) 107,5 dB(A), osäkerhet (K) 3 dB(A)

EG-försäkrän om överensstämmelse

MASKINDIREKTIVET



BES700, BES710 Glidande sammansatt geringssåg

Black & Decker försäkrar att dessa produkter, beskrivna under "tekniska data" uppfyller:
EN62841-1:2015, EN62841-3-9:2015+A11:2017

Dessa produkter överensstämmer även med direktiven
2006/42/EU, 2014/30/EG och 2011/65/EU.

Kontakta Black & Decker för ytterligare information på följande adress, eller se handbokens baksida.

Undertecknad är ansvarig för sammanställningen av tekniska data och gör denna försäkrän för Black & Decker.

A. P. Smith
Technical Director
Black & Decker Europe, 210 Bath Road, Slough,
Berkshire, SL1 3YD
Storbritannien
01/03/2019

Garanti

Black & Decker är säker på kvaliteten hos denna produkt och erbjuder kunder 24 månaders garanti från inköpsdatumet. Garantin gäller utöver konsumentens rättigheter enligt lag och påverkar inte dessa. Garantin är giltig i de områden som tillhör medlemsstaterna i Europeiska unionen och det europeiska frihandelsområdet.

För yrkande under garantin måste yrkandet vara i enlighet med Black & Deckers villkor och du kommer att behöva skicka in bevis på köpet till försäljaren eller en auktoriserad reparatör. Villkoren för Black & Deckers tvååriga garanti och var du hittar din närmaste auktoriserade reparatör kan erhållas på internet på www.2helpU.com eller genom att kontakta ditt lokala Black & Deckers kontor på adressen som anges i denna manual.

Besök vår webbplats www.blackanddecker.co.uk för att registrera din nya BLACK & DECKER-produkt samt för att få information om nya produkter och specialerbjudanden.

Tiltentk bruk

Gjæringssagen BLACK+DECKER BES700, BES710, med glidende saghode for kombinert saging, er bare beregnet for å sage tre, plast og ikke-jernholdige metaller. Dette verktøyet er tiltentk private brukere.

Sikkerhetsinstruksjoner**Generelle sikkerhetsadvarsler for elektroverktøy**

Advarsel! Les alle sikkerhetsanvisninger, instruksjoner, illustrasjoner og spesifikasjoner som følger dette elektriske verktøyet. Hvis advarslene og anvisningene nedenfor ikke overholdes, kan det medføre elektrisk støt, brann og/eller alvorlige personskader.

Ta vare på alle advarsler og instruksjoner for fremtidig bruk. Uttrykket "elektroverktøy" i alle advarslene nedenfor gjelder for strømdrevne elektroverktøy (med ledning) og batteridrevne elektroverktøy (uten ledning).

Uttrykket "elektroverktøy" i alle advarslene nedenfor gjelder for strømdrevne elektroverktøy (med ledning) og batteridrevne elektroverktøy (uten ledning).

1. Sikkerhet i arbeidsområdet

- Hold arbeidsområdet rent og godt opplyst.** Rotete eller mørke områder er en invitasjon til ulykker.
- Ikke arbeid med elektroverktøy i eksplosjonsfarlige omgivelser, for eksempel der det befinner seg brennbare væsker, gass eller støv.** Elektrisk verktøy skaper gnister som kan antenne støv eller gasser.
- Hold barn og andre personer unna når du bruker et elektroverktøy.** Distraksjoner kan føre til at du mister kontrollen.

2. Elektrisk sikkerhet

- Støpset til verktøyet må passe til stikkkontakten. Aldri modifier støpset på noen måte. Ikke bruk adapterstøpsler til jordede elektriske verktøy.** Umodifiserte støpsler og stikkontakter som passer vil redusere risikoen for elektrisk sjokk.
- Unngå kroppskontakt med jordede overflater som rør, radiatorer, komfyrer og kjøleskap.** Det er økt risiko for elektrisk støt dersom kroppen din er jordat.
- Ikke utsett elektroverktøy for regn eller fuktighet.** Dersom det kommer vann inn i et elektrisk verktøy vil det øke risikoen for elektrisk sjokk.
- Unngå uforsvarlig behandling av ledningen. Aldri bruk ledningen til å bære, trekke eller dra ut støpset til det elektriske verktøyet. Hold ledningen borte fra varme, olje, skarpe kanter eller bevegelige deler.** Skadede eller innviklede ledninger øker risikoen for elektrisk sjokk.
- Når du bruker et elektroverktøy utendørs, må du bruke en skjøteledning som er egnet til utendørs bruk.** Bruk av en skjøteledning beregnet for utendørs bruk reduserer risikoen for elektrisk støt.

f. Hvis du ikke kan unngå å bruke elektroverktøy på et fuktig sted, må du bruke en strømforsyning som er beskyttet med jordfeilbryter (RCD). Bruk av jordfeilbryter (RCD) reduserer risikoen for elektrisk støt.

3. Personssikkerhet

- a. Vær oppmerksom, pass på hva du gjør, og vis sunn fornuft når du arbeider med et elektroverktøy. Ikke bruk et elektrisk verktøy dersom du er trøtt eller er påvirket av medikamenter, narkotika eller alkohol. Ett øyeblikks uoppmerksomhet under bruk av elektriske verktøy kan føre til alvorlig personskade.
 - b. Bruk personlig verneutstyr. Bruk alltid vernebriller. Verneutstyr slik som støvmaske, sklisikre vernesko, hjelm, eller hørselsvern brukt under passende forhold vil redusere personskader.
 - c. Forhindre utilsiktet start. Kontroller at bryteren står i posisjon "av" før du kobler til strømkilden og/eller batteripakken, og før du tar opp eller bærer verktøyet. Å bære elektriske verktøy med fingeren på bryteren eller å sette inn støpselet mens elektriske verktøy har bryteren på øker faren for ulykker.
 - d. Fjern eventuelt innstillingsverktøy eller skruverktøy før du slår på elektroverktøyet. Et skruverktøy eller en nøkkel som fortsatt er festet til en roterende del av elektroverktøyet, kan føre til personskade.
 - e. Ikke strekk deg for langt. Ha godt fofeste og stå støtt hele tiden. Dette fører til at du har bedre kontroll over det elektriske verktøyet ved uventede situasjoner.
 - f. Bruk egnede klær. Ikke ha på deg løstsittende klær eller smykker. Hold hår og klær borte fra bevegelige deler. Løstsittende klær, smykker og langt hår kan bli fanget opp av bevegelige deler.
 - g. Hvis det kan monteres støvavsug- og oppsamlingsinnretninger, må du forvise deg om at disse er tilkoblet og brukes på riktig måte. Bruk av støvoppsamlere kan redusere støvrelaterte farer.
 - h. Ikke la erfaring med hyppig bruk av verktøy la deg bli likegyldig og ignorere verktøyet sikkerhetsregler. En uforsiktig handling kan føre til alvorlig personskade på brokdelen av et sekund.
4. Bruk og behandling av elektroverktøy
 - a. Ikke bruk makt på elektroverktøyet. Bruk det elektriske verktøyet som situasjonen krever. Det riktige elektriske verktøyet vil gjøre jobben bedre og tryggere ved den hastigheten det ble konstruert for.
 - b. Ikke bruk elektroverktøyet hvis du ikke kan slå det på og av med bryteren. Ethvert elektrisk verktøy som ikke kan kontrolleres med bryteren er farlig og må repareres.
 - c. Trekk støpselet ut av stikkkontakten og/eller koble fra batteripakken på elektroverktøyet før du utfører innstillinger, bytter tilbehør eller legger

elektroverktøyet bort for lagring. Slike preventive sikkerhetsforanstaltninger reduserer risikoen for å starte det elektriske verktøyet ved et uhell.

- d. Elektroverktøy som ikke er i bruk, må oppbevares utilgjengelig for barn. Ikke la verktøyet bli brukt av personer som ikke er fortrolige med det, eller som ikke kjenner disse instruksjonene. Elektriske verktøy er farlige i hendene på utrenede brukere.
 - e. Sørg for vedlikehold av elektroverktøy og tilbehør. Undersøk om bevegelige deler er feiljustert eller blokkert, om deler er skadet, og om det er andre forhold som kan påvirke elektroverktøyet funksjon. Dersom det er skadet, få verktøyet reparert før neste bruk. Mange ulykker forårsakes av dårlig vedlikeholdte verktøy.
 - f. Hold skjæreverktøy skarpe og rene. Godt vedlikeholdte skjæreverktøy med skarpe skjærekanten setter seg mindre sannsynlig fast og er lettere å kontrollere.
 - g. Bruk elektroverktøy, tilbehør, bits osv. i henhold til disse instruksjonene. Ta hensyn til arbeidsforholdene og arbeidet som skal utføres. Bruk av det elektriske verktøyet for oppgaver som er forskjellige fra de som er tiltenkt kan føre til en farlig situasjon.
 - h. Hold håndtakene og gripeflatene tørre, rene og frie for olje og fett. Glatte håndtak og gripeflater forhindrer trygg håndtering og kontroll av verktøyet i uventede situasjoner.
5. Service
 - a. Elektroverktøyet skal repareres av kvalifisert personell og bare med originale reservedeler. Dette vil sikre at verktøyet sikkerhet blir ivaretatt.

Sikkerhetsinstruksjoner for gjærings-sager

- ◆ Gjærings-sager er tiltenkt for kutting i tre eller trelignende produkter. De kan ikke brukes med kappeskiver for kutting av jerninnholdige materialer slik som stenger, rør, etc. Skurende støv forårsaker at bevegelige deler slik som den nedre beskyttelsen blokkeres. Gnist fra slipekutting vil brenne den nedre beskyttelsen, snittinnsatsen og andre plastdeler.
- ◆ Bruk klemmer for å feste arbeidsstykket når det er mulig. Hvis du støtter arbeidsstykket for hånd må du alltid holde hånden minst 100 mm fra hver side av sagbladet. Du skal aldri bruke denne sagen til å kutte biter som er for små til å sikres med klemme eller holdes med hånden. Hvis du holder hånden for nært sagbladet er det fare for personskade fra bladkontakt.
- ◆ Arbeidsstykket må være stasjonært og festet med klemme eller holdt mot både anlegget og bordet. Ikke mat arbeidsstykket inn i bladet eller kutt med frihånd på noen måte. Løse eller bevegende arbeidsstykker kan kastes ved høye hastigheter og forårsake personskader.

- ◆ **Dytt saken gjennom arbeidsstykket. Ikke dra sagbladet gjennom arbeidsstykket. For å lage et kutt skal du heve saghodet og dra det ut over arbeidsstykket uten å kutte. Start motoren, trykk saghodet ned og dytt saken gjennom arbeidsstykket.** Ved å kutte på dragningslaget vil sannsynligvis forårsake at bladet klatrer på toppen av arbeidsstykket og kaste bladmodulen voldsomt mot brukeren.
- ◆ **Aldri kryss hånden over den tilsiktede kuttelinjen enten foran eller bak sagbladet.** Det er veldig farlig å støtte arbeidsstykket krysshendt eller å holde arbeidsstykket til høyre for sagbladet med venstre hånd eller omvendt.
- ◆ **Ikke strekk deg over anlegget med noen hånd nærmere enn 100 mm fra noen side av sagbladet for å fjerne trebiter eller for noen annen grunn når bladet roterer.** Det spinnende sagbladets nærhet til hånden din er ikke alltid lett å beregne og du kan bli alvorlig skadet.
- ◆ **Inspiser arbeidsstykket før kutting. Hvis arbeidsstykket er bøyd eller vridd skal du feste det med klemmer på utsiden av den bøyde delen mot anlegget. Du skal alltid være sikker på at det ikke er mellomrom mellom arbeidsstykket, anlegget og bordet langsmed kuttelinjen.** Bøyde eller vridd arbeidsstykker kan vri seg eller bevege seg og forårsake blokkering av det spinnende sagbladet når du kutter. Det skal ikke være spiker eller fremmede objekter i arbeidsstykket.
- ◆ **Du skal ikke bruke saken før bordet er ryddet for verktøy, trebiter etc. unntatt arbeidsstykket.** Små biter eller løse trebiter eller andre objekter som kommer i kontakt med det roterende bladet kan kastes i høy hastighet.
- ◆ **Du skal kun kutte ett arbeidsstykke om gangen.** Flere stablede arbeidsstykker kan ikke sikkert festes med klemmer eller festes og kan blokkere bladet eller bevege seg under kutting.
- ◆ **Forsikre deg om at saken er montert eller plassert jevn, fast overflate før bruk.** En jevn og fast arbeidsflate reduserer faren for at gjæringsdagen blir ustabil.
- ◆ **Planlegg arbeidet. Hver gang du skifter innstilling av vinkel eller gjæringsvinkel, skal du forsikre deg om at det justerbare anlegget er stilt inn riktig for å støtte arbeidsstykket slik at det ikke forstyrrer bladet eller vernsystemet.** Uten å skru verktøyet "PÅ" og uten arbeidsstykke på bordet, bevege sagbladet gjennom et komplett simulert kutt for å forsikre deg om at det ikke oppstår forstyrrelser eller fare for kutting av anlegget.
- ◆ **Sørg for tilstrekkelig støtte slik som bordforlengere, sagbukker etc. for et arbeidsstykke som er lengre enn bordplaten.** Arbeidsstykker som er lengre enn gjæringsagbordet kan tippe over hvis det ikke er sikkert

støttet. Hvis avkappet eller arbeidsstykket tipper over kan det løfte den nedre beskyttelsen eller bli kastet av det spinnende bladet.

- ◆ **Ikke bruk en annen person som substitutt for en bordforlenger eller som tilleggstøtte.** Ustabil støtte for arbeidsstykket kan forårsake at bladet blokkeres eller at arbeidsstykket beveger seg under kutteoperasjonen og kan dra deg og hjelperen inn i det spinnende bladet.
- ◆ **Avkappet må ikke kjøre seg fast eller presses på noen måte mot det spinnende bladet.** Hvis det begrenses ved bruk av lengdestoppere kan avkappet kjøre seg fast mot bladet og kastes voldsomt.
- ◆ **Du skal alltid bruke klemmer eller fester som er laget for å støtte skikkelig rundt materialer som stenger og rør.** Stenger har en tendens til å rulle når de kuttet og forårsake at bladet "biter" og drar arbeidsstykket med hånden inn i bladet.
- ◆ **La bladet komme opp i full hastighet før innmating av arbeidsstykket.** Dette reduserer faren for at arbeidsstykket kastes.
- ◆ **Hvis arbeidsstykket eller bladet blir blokkert skal du slå gjæringsdagen av. Vent til alle bevegelige deler stopper og koble fra støpselet fra stikkkontakten og/eller fjern batteripakken. Så skal du fjerne det blokkerte materialet.** Ved å fortsette å sage med et blokkert arbeidsstykke kan forårsake tap av kontroll eller skade på gjæringsdagen.
- ◆ **Etter at du er ferdig med å kutte skal du slippe bryteren, holde saghodet ned og vente til bladet har stoppet før du fjerner avkappet.** Strekking av hånden nær det roterende bladet er farlig.

Ekstra sikkerhetsinstruksjoner for gjæringsager

- ◆ **Hold håndtaket godt ved saging av et uferdig kutt eller når du slipper bryteren før saghodet er helt nede i posisjon.** Bremsfunksjonen på saken kan føre til at saghodet plutselig trekkes nedover, det kan gi fare for personskaade.
- ◆ **Bruksområdet er beskrevet i denne bruksanvisningen.** Hvis du bruker annet tilbehør, kobler til annet utstyr eller bruker dette produktet til andre oppgaver enn det som er anbefalt i denne håndboken, kan det medføre fare for personskaader og/eller skade på eiendom.
- ◆ **Ikke bruk sprukne/bøyde/skadede eller deformerte sagblader.**
- ◆ **Skift ut kappeskiven dersom den er slitt.**
- ◆ **Ikke bruk blader med større eller mindre diameter enn anbefalt.** For opplysninger om riktig skjærekapasitet, se tekniske data. Bruk kun sagblad spesifisert i denne manualen, som er i samsvar med EN 847-1.
- ◆ **Ikke bruk sagblader som er laget av høyhastighetsstål (HSS).**



Advarsel! Kontakt med eller innånding av støv som oppstår ved saging, kan være helseskadelig for brukeren og eventuelle personer i nærheten. Bruk en støvmaske som er spesielt utformet for å beskytte mot støv og damp/gass, og pass på at personer som er i eller kommer inn i arbeidsområdet, også er beskyttet.

- ◆ Ikke arbeid med materialer som inneholder asbest. Asbest regnes som kreftfremkallende.
- ◆ Bruk hansker når du håndterer sagblader og grovt materiale (sagblader skal bæres i en holder når det er praktisk mulig).
- ◆ Bruk hørselvern for å redusere risikoen for hørselskade.
- ◆ Vurder å bruke spesielt konstruerte støyreduksjonsblader.
- ◆ Bruk vernebriller for å redusere risikoen for alvorlig personskade.
- ◆ Bruk støvposen som følger med, når du sager tre.
- ◆ **Hold det elektriske verktøyet kun i isolerte gripeoverflater når du utfører operasjoner hvor kutteutstyret kan komme i kontakt med skjulte ledninger eller egen ledning.** Hvis skjæretilbehøret kommer i kontakt med en strømførende ledning, kan frittliggende metalldele på verktøyet bli strømførende, og brukeren kan få elektrisk støt
- ◆ Velg et blad tilpasset materialet som skal skjæres.
- ◆ Ikke bruk maskinen uten at vernet er på plass. Bruk aldri maskinen hvis ikke vernet fungerer eller er i god stand.
- ◆ Sørg for at armen er festet på sikker vis når du utfører skråvinkel kutt.
- ◆ Før hver kapping skal du passe på at maskinen står støtt.
- ◆ Hold håndtakene tørre, rene og frie for olje og fett.
- ◆ Hold området rundt maskinen i god orden og fritt for løst materiale, for eksempel spon og kapp.
- ◆ Kontroller at maskinen og arbeidsområdet får nok lys fra rombelysning eller plassbelysning.
- ◆ Ikke la personer uten opplæring bruke denne maskinen.
- ◆ Kontroller at bladet er montert riktig før bruk. Sørg for at bladet roterer i riktig retning. Hold bladet skarpt. Følg anvisningen for smøring og utskifting av tilbehør.
- ◆ Bruk kun sagblad der hastigheten markert på bladet er tilsvarende eller mer enn hastigheten markert på sagen.
- ◆ Pass på at eventuelle mellomringer og spindelringer som brukes er passende for formålet som avgitt av BLACK+DECKER.
- ◆ Reparasjoner på kuttelinjens guidesystem skal utføres av godkjente serviceverksteder eller servicemedarbeidere fra BLACK+DECKER.
- ◆ Koble strømmen fra verktøyet før vedlikeholdsarbeid og når du skifter blad.
- ◆ Utfør aldri rengjøring, vedlikehold eller fjerning av kapp eller andre deler av arbeidsstykket fra skjæreamrådet når maskinen går og saghodet ikke er i hvilestilling.

- ◆ Verktøyet skal alltid monteres på en benk dersom det er mulig.
- ◆ Kontroller at alle låseknotter og håndtak er strammet godt til før du starter en operasjon.
- ◆ Bruk aldri sagen uten bordinnsatsen.
- ◆ Forsøk aldri å stoppe maskinens bevegelse raskt ved å presse et verktøy eller noe annet mot bladet. Det kan skje alvorlige ulykker uforvarende på denne måten.
- ◆ Les håndboken før du bruker eller monterer tilbehør. Feil bruk av tilleggsutstyr kan forårsake skade.
- ◆ Hev bladet fra bordinnsatsen i arbeidsstykket før du slipper av/på-bryteren.
- ◆ Ikke kil noe fast mot viften for å holde motorakslen.
- ◆ Bladbeskyttelsen på sagen løftes automatisk når armen tas ned; den senkes ned over bladet når armen løftes. Beskyttelsen kan løftes for hånd når du installerer eller fjerner sagblader for inspeksjon av sagen. Hev aldri bladvernet manuelt hvis ikke maskinen er slått av.
- ◆ Kontroller regelmessig at motorens luftsprekker er rene og fri for spon.
- ◆ Gjør aldri advarselmerkingen på elektroverktøyet uleselig.
- ◆ Stå aldri på elektroverktøyet. Det kan oppstå alvorlig personskade hvis elektroverktøyet vipper, eller hvis du kommer i kontakt med sagbladet.
- ◆ Ikke ta i sagbladet etter arbeidet før det er blitt avkjølt. Sagbladet blir svært varmt under arbeidet.
- ◆ Unngå personskade forårsaket av materialer som kastes. Koble sagen fra nettstrømmen for å unngå utilsiktet start, og fjern deretter små materialbiter.
- ◆ Før bruk og etter vedlikehold må du kontrollere bladvernet for å sikre at det fungerer riktig. Denne kontrollen må utføres mens sagen er slått av og støpselet trukket ut av stikkkontakten. Armen må heves og senkes slik at du sikrer at vernet dekker bladet, og at bladet ikke kommer i kontakt med vernet. Hvis vernet ikke fungerer riktig, må elektroverktøyet repareres av et godkjent serviceverksted. Ring BLACK+DECKER kundeservice for å få oppgitt nærmeste serviceverksted.
- ◆ **Denne gjæringsagen er kun beregnet for å sage tre, plast og metaller som ikke inneholder jern.** Ikke bruk sagen for å sage andre materialer enn de som er anbefalt av leverandøren.
- ◆ Ikke ta i sagbladet etter arbeidet før det er blitt avkjølt. Sagbladet blir svært varmt under arbeidet.



Advarsel! Saging av plast, trematerialer med sevre eller andre materialer kan førte til at smeltet materiale samler seg opp på bladet og bladspissene, dette øker risikoen for at bladet blir overopphetet og bøyer seg under bruk.

Restrisikoer

Følgende risikoer er alltid tilstede ved bruk av sager. Selv om de relevante sikkerhetsbestemmelsene blir fulgt, og

sikkerhetstiltakene blir gjennomført, kan visse gjenværende risikoer ikke unngås. Disse inkluderer:

- ◆ Personskader som forårsakes av berøring av en roterende/bevegelig del.
- ◆ Hørselskader.
- ◆ Risiko for ulykker forårsaket av delene av sagbladet som ikke er tildekket.
- ◆ Risiko for personskader som forårsakes av at en del, et blad eller tilbehør endres.
- ◆ Risiko for klemte fingre ved åpning av beskyttelsene.
- ◆ Helsefarer som skyldes innånding av støv som oppstår ved saging av tre – spesielt eik, bok og MDF.
- ◆ Personskader som forårsakes av langvarig bruk av apparatet. Når du bruker et verktøy i lange perioder, må du sørge for å ta regelmessige pauser.

Støy

Den oppgitte støyemisjonsverdien er blitt målt i henhold til en standard testmetode, og kan brukes til å sammenligne et verktøy med et annet.

Den oppgitte støyverdien kan også brukes til en foreløpig vurdering av eksponering.

Advarsel! Støyemisjonsverdien under faktisk bruk av elektroverktøyet kan avvike fra de oppgitte verdiene avhengig av måten verktøyet blir brukt på, og spesielt hva slags materiale det brukes på.

Advarsel! Bruk alltid riktig hørselvern. Under viss forhold og bruksvarighet kan støy fra dette produktet bidra til å miste hørselen. Vær oppmerksom på følgende faktorer som påvirker belastningen fra støy:

- ◆ Bruk sagblader som er designet for å redusere støyutvikling.
- ◆ Bruk kun godt skjerpede sagblader.
- ◆ Bruk spesielt designede støyreduerte sagblad.

Etiketter på verktøyet

De følgende symbolene sammen med datokode vises på apparatet:



Advarsel! Brukeren må lese håndboken for å redusere risikoen for personskade.



Bruk vernebriller



Bruk hørselvern



Bruk en støvmaske



Produktet skal ikke benyttes av barn under 16 år



Hold hendene unna bladet



Ingen hender-området – hold fingre og armer unna sagblad som roterer



Benytt hansker når du håndterer sagblader



Ikke se direkte på lampen når den er på



Ikke utsett verktøyet for regn.



Ta ut støpselet dersom strømkabelen er skadet eller floket.

Elektrisk sikkerhet



Dette verktøyet er dobbeltisolert. Jording er derfor ikke nødvendig. Kontroller alltid at strømforsyningen samsvarer med spenningen på merkeskiltet.

- ◆ Hvis strømledningen blir skadet, må den byttes av produsenten eller et autorisert BLACK+DECKER-servicesenter for å unngå fare.

Spenningsfall

Høyt strømforbruk i korte perioder kan føre til kortvarige spenningsfall. Under uheldige forhold når det gjelder strømtilførsel, kan annet utstyr bli berørt. Hvis systemimpedansen for strømforsyningen er mindre enn 0,178 Ω, er det lite sannsynlig at det oppstår forstyrrelser.

Bruke skjøteledning

Bruk alltid en godkjent skjøteledning som passer til inngangseffekten for dette verktøyet (se tekniske data). Før bruk må du undersøke skjøteledningen for tegn på skade, slitasje og aldring. Bytt skjøteledningen hvis den er skadet eller defekt. Vikle alltid ut kabelen fullstendig når du bruker en kabeltrommel. Hvis du bruker skjøteledning som ikke passer til verktøyets inngangseffekt, eller som er skadet eller defekt, kan det føre til risiko for brann og elektrisk støt.

Funksjoner

Dette verktøyet har noen av eller alle følgende egenskaper.

1. Skyvestenger
2. Skråvinkel låseknapp
3. Støttestativ
4. Klemme for arbeidsstykke
5. Bordforlengerskinne
6. Bolte hull

7. Gjæringsvinkelindikator
8. Bordinnlegg
9. Låseknott for gjæring
10. Bunnplate
11. Roterende bord
12. Bakre anlegg
13. Sagblad
14. Bladbeskyttelse
15. Sikkerhetsvern monteringsplate
16. Motorhus
17. Saghode låsepinne
18. Hovedhåndtak
19. Avtrekker-bryter
20. Sikkerheslåsespake
21. Sagelinjelampe av/på-knapp
22. Bærehåndtak
23. Støvpose
24. Justerbar støttefot
25. Skråvinkelindikator
26. Gjæringsvinkelskala
27. Skråvinkelskala
28. Skyvestang låseskrue
29. Sagdybde skrue
30. Bladskifteverktøy
31. Spindellås
32. Gjæringslåsing
33. Skinnelåseskrue
34. Klemmelåseskrue
35. Skyveanlegg låseskrue
36. Kabelvikler

Montering

Din gjærings sag er delvis montert i esken.

- ◆ Åpne boksen og løft ut sagen.
- ◆ Plasser sagen på en jevn, flat overflate slik som en arbeidsbenk eller et solid bord.
- ◆ Undersøk monteringsstegningen på side 2 av denne manualen for å gjøre deg kjent med sagen og de ulike delene. Avsnittet om justeringer vil vise til disse termene og du må vite hva og hvor delene er.
- ◆ Ved levering av sagen er håndtaket låst i nedre posisjon ved hjelp av saghodets låsebolt (17). Trekk ut saghodets låsebolt (17) og roter det 90°, med eller mot klokken som vist i figur A.
- ◆ Gjæringslåseknappen (9) er ikke montert for transport. Fjern gjæringslåseknappen (9) fra pakken og skru den på sagen, se figur B for plassering.

Bordforlengerskinne (figur C & D)

Gjærings sagan leveres med 2 bordforlengerskinner (5) for å støtte opp lange utoverhengende arbeidsstykker.

- ◆ Trekk bordforlengerskinne (5) ut til ønsket lengde for arbeidsstykket, som vist i figur C.

- ◆ Lås den på plass ved å trekke til skinnelåseskrue (33) som vist i figur D.
- ◆ Gjenta prosessen på motsatt side.

Støttestativ - kun BES710 (figur E)

Din BES710 gjærings sag leveres med 1 støttestativ (3) for bedre stabilitet, det gir økt stabilitet.

Benkmontering (figur F)

Gjærings sagan kan boltes fast med fire bolter (6a) (følger ikke med) på et flatt og stabilt underlag ved hjelp av bolthullene (6) i bunnplaten på verktøyet. Dette vil forhindre velting og mulig personskaade.

Støvsuging (figur G)

Bruk av støvposen (23) gir ren saging og enkel støvoppsamling.

- ◆ For å feste støvposen (23), sett den på støvdysen (23a).
- ◆ Når støvposen (23) er omtrent halvfull, ta den av verktøyet.
- ◆ Tøm støvposen for innhold, bank litt på den for å fjerne støv som sitter på innsiden, det kan hindre videre støvsuging.

Merk: Dersom du fester en verkstedstøvsuger til sagen, blir støvfjerningen mer effektiv og renholdet blir bedre.

Installere klemme (figur H)

- ◆ Sett klemmen (4) inn i hullet (4c) bak anlegget. Klemmen skal peke bakover mot bakenden av gjærings sagan. Sporet på klemstangen skal være helt innskjøvet i basisen. Pass på at sporet er fullt innskjøvet i bunnplaten på gjærings sagan. Dersom sporet er synlig vil ikke klemmen være sikret.
- ◆ Roter klemmen 180° mot fronten av gjærings sagan.
- ◆ Løsne knotten (4b) for å justere klemmen opp eller ned, og bruk finjusteringsknappen (4a) for å klemme fast arbeidsstykket.

Merk: Plasser klemmen på motsatt side av basisen ved skråsaging. GJØR ALLTID EN TEST (UTEN STRØM) FØR ET VIRKELIG KUTT, SLIK AT DU KAN SJEKKE BLADETS RUTE.

SIKRE AT KLEMMEN IKKE KOMMER I VEIEN FOR FUNKSJONEN AV SAGEN ELLER ANLEGGET.

Skifte eller sette på et nytt sagblad (figur I, J og K)

Advarsel! For å redusere faren for alvorlig personskaade, slå av verktøyet og koble fra strømmen for du flytter det, skifter tilbehør eller gjør justeringer.

Advarsel! Trykk aldri inn knappen for spindellås (31) når bladet er i bruk eller spinner fritt.

Advarsel! Ikke bruk denne sagen til å kutte lettmetall-legeringer og jernholdige metaller (som inneholder jern eller stål), eller murverk eller fibersementprodukter.

Ta av bladet

- ◆ Trekk ut støpselet for strømledningen for sagen.
- ◆ Løft armen til øvre posisjon og skyv nedre beskyttelse (14) så langt som mulig.
- ◆ Løsne, men ikke fjerne beskyttelsesbrakettens skruer (13c) til braketten kan heves langt nok til å få tilgang til bladskruen (13a). Den nedre beskyttelsen vil forbli hevet på grunn av posisjonen til beskyttelsesbrakettens skruer, som vist i figur I.
- ◆ Trykk ned spindellåsknappen (31) mens du forsiktig roterer sagbladet for hånd til det går i lås, som vist i figur J.
- ◆ Hold knappen inntrykket, bruk den andre hånden og nøkkelen (30) for å løsne bladskruen (13a). (Vri med klokka, venstregjengen.)
- ◆ Ta av bladskruen (13a), ytre klemskive (13d), bladet (13) og bladadapter (13e), dersom det brukes. Den indre klemskiven (13f) kan du la være på spindelen.

Installere et blad

- ◆ Trekk ut støpselet for strømledningen for sagen.
- ◆ Med armen løftet og nedre beskyttelse holdt åpen, plasser bladet på spindelen, og sett det på bladadapteren og mot den indre bladklemmen med tennene nederst pekende bakover mot bakenden av sagen.
- ◆ Monter den ytre klemskiven på spindelen.
- ◆ Installer bladskruen, engasjer spindellåsen, stram godt til skruen med nøkkelen (vri mot klokka, venstregjenger).

Justere gjæringsvinkelen (figur L)

- ◆ Løsne grepet (9) ved å vri det mot klokka.
- ◆ Bruk gjæringslåsing (32) for å bevege det roterende bordet (11) til posisjonen der pekeren (7) peker på ønsket vinkel på gjæringssskalaen (26), stram til grepet med klokken.
- ◆ Den justerbare støttefoten (24) hjelper til med å holde verktøyet i balanse. Etter justering av gjæringsvinkel, vri knotten på foten med eller mot klokken til nedre ende berører bakken. Det er to posisjoner avhengig av dybden på arbeidsbenken din.

Fresedybde

Dersom du vil kutte et spor, kan du stille dybden på kuttet ved hjelp av dybden på sagdybde skruen (29) eller bladet.

- ◆ Vri dybden på sagdybde skruen (29) og fest med kontramutteren.

Justering av anlegget

Før skråsaging, pass på at ingen del av verktøyet er i kontakt med anlegget (12) når du løfter og senker håndtaket helt i enhver posisjon, og ved trekking eller skyving av vognen hele veien i nedre posisjon. Før bruk av verktøyet, pass på at skyveanlegget er godt festet med skyveanleggets låseskruer (35).

Advarsel! Ved skråsaging, skyv skyveanlegget til venstre og fest det. Ellers vil den komme i kontakt med bladet eller en del av verktøyet, som kan gi alvorlig personskade på brukeren.

Dette verktøyet er utstyrt med et skyveanlegg som vanligvis skal plasseres sentrert. Men ved skråsaging venstre, sett det i venstre posisjon dersom verktøyet kommer i kontakt med det. Når du er ferdig med skråsagingen, ikke glem å sette skyveanlegget tilbake i opprinnelig posisjon og feste det ved å trekke ordentlig til skyveanleggets låseskruer (35).

Justere skråvinkelen (figur E)

Ved vipping av vognen til venstre, løsne spaken (2) på baksiden av verktøyet mot klokken. Lås opp armen ved å skyve håndtaket litt kraftig, kun i en retning.

- ◆ Vipp sagbladet til pekeren (25) peker til ønsket vinkel på skråvinkelskalaen (27).
- ◆ Trekk godt til spaken (2) for å feste armen.

Advarsel! Ved vipping av sagbladet, pass på å løfte håndtaket helt. Etter endring av skråvinkel, fest alltid armen ved å trekke til spaken med klokken.

Advarsel! Ved vipping av sagbladet, pass alltid på vekten av hodet og pass på at det ikke velter.

Slå av og på (figur N)

Forsiktig! Før du kopler til verktøyet, kontroller alltid at avtrekkerbryteren (19) utløses riktig og går tilbake til AV posisjon når den slippes.

- ◆ For å starte verktøyet, sett sikkerhetslåsespaken (20) til høyre med pekefingeren.
- ◆ Trykk inn avtrekkeren (19).
- ◆ For å stoppe verktøyet, slipp avtrekkeren (19).

Advarsel! Bruk aldri verktøyet ved defekt avtrekker. Et verktøy med defekt avtrekker er MEGET FARLIG og må repareres før bruk.

Bruk av saglinjesystemet (figur N)

Merk: Gjæringsssagen må være koblet til en strømkilde. Kuttelinjesystemet er utstyrt med en av/på bryter (21). Kuttelinjesystemet er uavhengig av gjæringsssagen avtrekkerbryter.

Lysen behøver ikke være på for å kunne bruke sagen. For å kutte langs en trukket linje på et trestykke:

- ◆ Slå på kuttelinjesystemet, trekk ned betjeningshåndtaket (18) for å sette sagbladet nært trestykket. Skyggen av bladet vil vises på trestykket.
- ◆ Rett inn streken langs kanten av bladets skygge. Du kan måtte justere gjærings- eller skråvinkel for å kunne følge streken nøyaktig.,

Tverrkutting

Tverrkutting betyr å kutte treverket på tvers av veden i enhver vinkel. Et rett tverrkutt gjøres med gjæringsarmen ved null graders posisjon. Still inn og lås gjæringsarmen på null, og hold trestykket fast mot bordet og mot anlegget. Med skinnelåsknappen strammet, slå på sagen ved å trykke inn avtrekkerbryteren (19).

Når sagen er kommet i hastighet (etter 1 sekund), senk armen mykt og langsomt for å kappe gjennom trestykket. La bladet stoppe helt for du løfter armen.

Ved kapping av noe større enn 51 mm x 102 mm, bruk en ut-ned-tilbake bevegelse med skinnelåsskuen løsnet. Trekk sagen ut mot deg, senk saghodet mot arbeidsstykket, og skyv langsomt sagen tilbake for å fullføre kuttet. Ikke la sagen komme i direkte kontakt med toppen av arbeidsstykket når du trekker ut. Sagen kan "løpe" mot deg, og føre til personskade eller skader på arbeidsstykket.

Advarsel! Bruk alltid en materialholder/klemme for å holde kontroll og redusere faren for personskader og skader på arbeidsstykket.

Merk: Skinnelåsskruen må være løs for å la sagen skyves langs skinnene.

Gjærings-tverrkutt gjøres med gjæringsarmen ved en vinkel som ikke er null. Gjæringsvinkel er ofte 45° for å lage hjørner, men kan stilles inn hele veien fra null til 47° venstre eller 47° høyre. Foreta kuttet som beskrevet over.

For å kutte gjennom en eksisterende blyantstrek på et trestykke, skal du matche vinkelen så nært som mulig. Kutt trestykket litt for langt og mål fra blyantstreken til kuttkanten for å avgjøre hvilken retning du skal justere gjæringsvinkelen og kutte igjen. Dette må du trene litt på, men er en vanlig teknikk.

Korrekt kropps og håndstilling (figur O1 – O4)

Korrekt plassering av kropp og hender ved bruk av bordsagen vil gjøre gjærings-sagingen enklere, mer nøyaktig og tryggere. Plasser aldri hendene i nærheten av skjæreområdet. Plasser ikke hendene nærmere enn 152 mm fra bladet. Hold arbeidsstykket fast mot bordet og anlegget under kapping. Hold hendene på plass inntil bryteren er sluppet og bladet har stoppet helt. GJØR ALLTID EN TEST (UTEN STRØM) FØR

ET VIRKELIG KUTT, SLIK AT DU KAN SJEKKE BLADETS RUTE. IKKE KRYSS HENDENE, SOM VIST I FIGUR O3 og O4. Hold begge bena godt på bakken og hold riktig balanse. Når du beveger gjæringsarmen til venstre og høyre, følg den og stå litt til siden for bladet. Sikt gjennom sporene i beskyttelsen når du skal følge en linje.

Justering vinkelrett til bordet (figur P)

For å rette inn bladet vinkelrett mot bordet, lås armen i nedeposisjon med låsepinnen. Sett en vinkelhake mot bladet, pass på at vinkelhaken ikke står mot tuppen på en tann. Løsne skråvinkel-låseknapp og sikre at armen er fast mot 0° skråvinkelstopperen. Roter 0° skråvinkeljusteringskrue med 10 mm nøkkel (medfølger ikke) som nødvendig slik at bladet er ved 0° mot bordet som målt med vinkelhaken.

Saging av bilderammer, bokser og andre firesidede gjenstander (figur Q1, Q2)

For best å kunne forstå hvordan de nevnte objektene fungerer anbefaler vi at du prøver noen få enkle prosjekter med avkapp til du får "forståelse" for sagen. Denne sagen er perfekt for å sage hjørner som vist i figur Q1. Skissen A på figur Q2 viser et hjørne laget ved bruk av skråvinkeljustering for å skråstille kantene til de to stykkene med 45° grader mot hverandre for å gi et hjørne på 90°. For dette hjørnet er gjæringsarmen er låst på null og skråvinkel er låst på 45°. Trestykket er posisjonert med den brede flate siden mot bordet, og den smale kanten mot anlegget. Samme kutt kan gjøres ved høyre eller venstre gjærings med den brede flaten mot anlegget.

Kapping av lister og andre rammer (figur Q2)

Skisse B i figur Q2 viser en skjot laget ved å sette gjæringsarmen med 45° for å skjote de to stykkene til et 90° hjørne. For å lage denne typen skjot, sett skråvinkel til null og gjæringsarmen 45°. Trestykket er også nå posisjonert med den brede flate siden mot bordet, og den smale kanten mot anlegget. Figurene Q1 og Q2 er kun for firkantede objekter. Når det er et annet antall sider, må du endre skrå- og gjærings-vinkler.

Tabellen under gir deg korrekte vinkler for mange ulike former.

Antall sider	Gjærings- eller skråvinkel
4	45°
5	36°
6	30°
7	25,7°
8	22,5°
9	20°
10	18°

Tabellen går ut i fra at alle sider er like lange. For former som ikke vises i tabellen, bruk følgende formel: 180° delt på antall sider er lik gjæringen (hvis materialet kuttet vertikalt) eller skråvinkel (hvis materialet kuttet liggende flatt).

Saging av sammensatte gjæringer (figur Q3)

En sammensatt gjæring er et kutt satt sammen av en gjæringsvinkel og en skråvinkel samtidig. Dette er den typen kutt som brukes for å lage rammer eller bokser med skråstilte sider som den vist i figur Q3.

Merk: Dersom kappevinkelen varierer fra kutt til kutt, kontroller at gjæringslaseknotten og gjæringslasehåndtaket er godt låst. De skal låses etter hver endring som gjøres på gjærings- eller skråvinkel.

Saging av flate lister (figur R)

Rette 90° kapp:

Plasser trevirket mot anlegget og hold det på plass som vist på figur T. Skru på sagen, la bladet nå full hastighet og senk armen smidig gjennom kuttet.

Kutte flate lister opp til 70 mm/90 mm høyt vertikalt mot anlegget

BES700 - 70 mm for 216 mm

BES710 - 90 mm for 254 mm

Plasser materialet som vist på figur R. Alle kapp skal gjøres med baksiden av listen mot anlegget, og med bunnen av listen mot bordet.

	Innvendig hjørne	Utvendig hjørne
Venstre Side	Gjæring venstre 45° Behold venstre side av kutt	Gjæring høyre 45° Behold venstre side av kutt
Høyre Side	Gjæring høyre 45° Behold høyre side av kutt	Gjæring venstre 45° Behold høyre side av kutt

Materialer opp til 70 mm/90 mm) kan kappes som beskrevet over.

BES700 - 70 mm for 216 mm

BES710 - 90 mm for 254 mm

Kutte kronelister/taklister

For å passe godt, må taklisten sages med sammensatt gjæring med ekstrem nøyaktighet. De to flate overflatene på et gitt stykke taklist er vinkler som, når legges sammen må være lik 90°. De fleste, men ikke alle, taklister har en øvre, bakre vinkel (flaten som ligger an mot taket) på 52° og en nedre, bakre vinkel (flaten som ligger an mot veggen) på 38°. Din gjærings sag har spesielle forhåndsinnstilte gjæringslasepunkter ved 31,6° venstre og høyre for kutting av taklister ved rett vinkel. Det er også et merke på

gjæringskalaen på 33,9°. Tabellen over skråvinkel innstilling/ type kutt gir deg korrekte innstillinger for saging av taklister. (Tallene for gjærings og skråvinkelinnstillinger er veldig presise og vanskelige å stille inn nøyaktig for din sag.) Siden de fleste rom ikke har vinkler på nøyaktig 90°, må du finjustere innstillingene usatt.

Instruksjoner for saging av taklister som ligger flatt, og bruk av sammensatte funksjoner

- ◆ Legg listen med den brede baksiden ned flatt på sagebordet (figur S1).
- ◆ Innstillingene under er for alle standard taklister med 52° og 38° vinkler.

Skåvinkelinnstilling	Type kutt
33,9°	VENSTRE SIDE, INNVENDIG HJØRNE: 1. Toppen av taklisten mot anlegget 2. Gjæringsbord satt høyre 31,6° 3. Behold venstre side av kutt
33,9°	HØYRE SIDE, INNVENDIG HJØRNE: 1. Bunnen av listen mot anlegget 2. Gjæringsbord satt venstre 31,6° 3. Behold venstre side av kutt
33,9°	VENSTRE SIDE, UTVENDIG HJØRNE: 1. Bunnen av listen mot anlegget 2. Gjæringsbord satt venstre 31,6° 3. Behold høyre side av kutt
33,9°	HØYRE SIDE, UTVENDIG HJØRNE: 1. Toppen av taklisten mot anlegget 2. Gjæringsbord satt høyre 31,6° 3. Behold høyre side av kutt

Merk: Når du stiller inn skråvinkler og gjæringsvinkler for alle listverk, husk at vinklene som er vist for taklister er veldig presise og vanskelig å stille inn nøyaktig. Siden de lett kan bevege seg og veldig få rom har nøyaktige firkantede hjørner, skal alle innstillinger testes på avkapslister.

Alternativ metode for saging av taklister

Plasser taklisten med en vinkel mellom anlegget (12) og sagebordet (11), med toppsiden av taklisten på bordet og bunnen av taklisten på anlegget som vist på figur S2. Fordelen med å kutte taklister ved bruk av denne metoden er at du ikke trenger skråvinkler. Mindre endringer av gjæringsvinkelen kan gjøres uten å påvirke skråvinkelen. På denne måten, dersom

det er andre hjørner enn 90°, kan sagen raskt og enkelt justeres for det.

Instrukser for saging av taklister med vinkling mellom anlegget og bunnplaten på sagen for alle kapp

Denne sagen kan kutte opp til 14 mm x 92 mm koblede taklister.

- ◆ Sett listen i vinkel slik at bunnen av listen (den delen som ligger mot veggen ved montering) er mot anlegget (12), og toppen av listen hviler mot sagbordet (11) som vist på figur S2.
- ◆ De vinklede "flatene" på baksiden av taklisten skal ligge rett an mot anlegget og sagbordet.

	Innvendig hjørne	Utvendig hjørne
Venstre Side	Gjæring høyre 45° Behold høyre side av kutt	Gjæring venstre 45° Behold høyre side av kutt
Høyre Side	Gjæring venstre 45° Behold venstre side av kutt	Gjæring høyre 45° Behold venstre side av kutt

Spesialkutt

Foreta aldri noen kutt uten at materialet er festet til bordet og mot anlegget.

Bøyde materialer (figur T1 og T2)

Ved saging av bøyde materialer, plasser det alltid som vist i figur T1 og aldri som vist i figur T2. Plassering av materialet på feil måte vil føre til at det klemmer bladet nær avslutning av kuttet.

Kapping av runde materialer

Runde materialer skal klemmes fast eller holdes fast mot anlegget for å hindre at det ruller. Dette er svært viktig ved vinkelkutt.

Saging av store materialer (figur U)

Av og til vil du få et trestykke som er litt for stort for å passe under nedre beskyttelse. For å la betjeningshåndtaket gå klar av trestykket - med sagen av og høyre hånd på betjeningshåndtaket - skal du plassere høyre tommel på utsiden av den øvre delen av beskyttelsen og rulle beskyttelsen opp litt slik at treverket har klaring, som vist på figur U. Slipp beskyttelsen før du starter motoren. Beskyttelsesmekanismen vil fungere skikkelig under kuttet. Du skal kun gjøre dette når det er nødvendig. **ALDRI BIND, TAPE ELLER PÅ ANNEN MÅTE HOLD BESKYTTELSEN PERMANENT ÅPEN VED BRUK AV SAGEN.**

Advarsel! Du skal alltid forsikre deg om at verktøyet er slått av og strømmen er av på verktøyet før du justerer eller sjekker verktøyets funksjon.

Etter bruk

- ◆ Etter bruk, tørk av spon og støv som har festet seg til verktøyet med en klut eller lignende.
- ◆ Hold bladbeskyttelsen ren i henhold til anvisningene i forrige avsnitt.
- ◆ Smør glidende flater med maskinolje for å forhindre rust.
- ◆ Ved lagring av verktøyet, trekk vognen helt til deg.

Bære verktøyet

- ◆ Forsikre deg om at verktøyet er koblet fra.
- ◆ Sikre bladet på 0° skråvinkel og vri bunnplaten til høyre gjæringsvinkel, lås med skyvestangens låseskrue (28).
- ◆ Lås skyvestengene etter å ha trukket vognen helt til deg.
- ◆ Senk håndtaket og lås det på plass ved å skyve inn saghodets låsepinne (17).
- ◆ Bær verktøyet ved å holde bærehåndtaket (22).
- ◆ Dersom du tar av klemme, støvposen, etc., er det enklere å bære verktøyet.
- ◆ Bær verktøyet med en hånd på bærehåndtaket (22) og en hånd på verktøyets bunnplate.

Forsiktig! Sikre alltid alle bevegelige deler før du bærer verktøyet. Saghodets låsepinne (17) brukes kun ved bæring og lagring, og aldri ved noe saging.

Feilsøking

Problem	Mulig årsak	Løsning
Motoren starter ikke	Sagen er ikke tilkoblet.	Sjekk at støpselet er innpluggset.
Sagevinkel unøyaktig	Gjæringsbordet er låst opp.	Bruk gjæringsbordets låsespake (se avsnittet Justere gjæringsvinkel).
	For mye sagflis under bordet.	Støvsug eller blås bort støvet. Bruk vernebriller.
Sagearmen kan ikke løses helt, eller bladbeskyttelsen kan ikke lukkes helt	Feil ved komponenter.	Kontakt servicesenter.
	Svingfjæren ikke satt på korrekt etter service.	Kontakt servicesenter.
	Oppbygning av sagflis.	Rengjør og smør bevegelige deler.
Bladet kjører seg fast, blokkerer eller rister	Saghodets låsepinne ikke ordentlig satt inn.	Sjekk, juster og sett ordentlig inn saghodets låsepinne.
	Sagbladet er skadet.	Skift blad.
	Sløvt blad.	Skift eller slip bladet.
	Feil blad.	Skift blad.
Sagen vibrerer eller rister	Wridd blad.	Skift blad.
	Sagbladet er skadet.	Skift blad.
	Sagbladet er løst.	Stram til bladbolten.
	Sagen er ikke ordentlig festet.	Fest sagen til benken, stativet eller bordet.
	Arbeidsstykket er ikke ordentlig støttet opp.	Støtt opp eller klem fast arbeidsstykket ordentlig.

Miljøvern

Separat avfallshåndtering. Produkter og batterier merket med dette symbolet skal ikke kastes i vanlig husholdningsavfall.

Produkter og batterier inneholder materialer som kan gjenbrukes eller gjenvinnes for å redusere behovet for nye råmaterialer. Vennligst lever elektrisk utstyr og batterier til gjenbruk i henhold til lokale regler. Mer informasjon finner du på www.2helpU.com.

Tekniske data

		BES700 Type 1	BES710 Type 1
Spenning	V	230	230
Hastighet	/min	4800	5000
Blad ytre diameter	mm	216	254
Hulldiameter	mm	30	30
Vekt	kg	12,1	14,9
Bladtykkelse	mm	1,8	1,8
Blad maks. snittbredde	mm	2,8	2,8
Gjæring (maks. posisjoner)	°	+/- 47	+/- 47
Skråkjæring (maks. posisjoner)	°	47	47
Maks. tverrskjæring ved 90 °	mm	305	305
Maks. gjæringskapasitet ved 45 °	mm	203	203
Maks. dybde kutt ved 90 °	mm	70	90
Maks. dybde kutt ved 45 °	mm	35	40

BES700 - Lydtrykknivå i henhold til EN 62841:

L_{PA} (lydtrykk) 97,5 dB(A), usikkerhet (K) 3 dB(A)

L_{WA} (lydeffekt) 108,0 dB(A), usikkerhet (K) 3 dB(A)

BES710 - Lydtrykknivå i henhold til EN 62841:

L_{PA} (lydtrykk) 96,0 dB(A), usikkerhet (K) 3 dB(A)

L_{WA} (lydeffekt) 107,5 dB(A), usikkerhet (K) 3 dB(A)

EF-samsvarserklæring

MASKINDIREKTIVET



BES700, BES710 Gjæringsssag med glidende saghode

Black & Decker erklærer at disse produktene, som er beskrevet under "Tekniske data", er i samsvar med: EN62841-1:2015, EN62841-3-9:2015+A11:2017

Disse produktene er også i samsvar med direktiv 2006/42/EU, 2014/30/EU og 2011/65/EU.

Hvis du ønsker mer informasjon, kan du kontakte Black & Decker på adressen under eller se baksiden av bruksanvisningen.

Undertegnede er ansvarlig for utarbeidelsen av den tekniske dokumentasjonen og gir denne erklæringen på vegne av Black & Decker.

A. P. Smith
Technical Director
Black & Decker Europe, 210 Bath Road, Slough,
Berkshire, SL1 3YD
Storbritannia
01/03/2019

Garanti

Black & Decker er trygg på kvaliteten av produktene sine og tilbyr en 24 måneders garanti fra kjøpsdato. Denne garantierklæringen kommer i tillegg til dine lovbestemte rettigheter og er ikke i konflikt med disse. Garantien er gyldig innen områdene tilhørende medlemslandene i den Europeiske Union (EU) og det Europeiske Frihandelsområdet (EFTA).

For å ta garantien i bruk må kravet være i samsvar med kjøpsbetingelsene fra Black&Decker og du må vise kjøpskvittering til forhandleren eller til et autorisert serviceverksted. Betingelsene for Black & Deckers 2 års garanti og adressen til din nærmeste autoriserte serviceverksted kan du finne på internett under www.2helpU.com, eller ved å kontakte ditt lokale Black & Decker kontor, adressen er angitt i denne bruksanvisningen.

Besøk våre nettsider på www.blackanddecker.no for å registrere ditt nye BLACK+DECKER-produkt og for å få informasjon om nye produkter og spesialtilbud.

Tilsigtet brug

Din kombinerede, forskydelige BES700, BES710 geringsssav fra BLACK+DECKER er kun beregnet til savning i træ, plastik og ikke-jernholdigt metal. Dette værktøj er beregnet til ikke-erhvervsmæssige brugere.

Sikkerhedsinstruktioner

Generelle sikkerhedsadvarsler vedrørende elværktøj



Advarsel! Læs alle sikkerhedsadvarsler, instruktioner, illustrationer og specifikationer, der følger med elværktøjet. Hvis efterfølgende advarsler og instruktioner ikke følges, er der risiko for elektrisk stød, brand og alvorlige kvæstelser.

Gem alle advarsler og instruktioner til fremtidig reference. Begrebet "elværktøj", der benyttes i nedenstående advarsler, henviser til netdrevet elværktøj (med netledning) eller batteridrevet elværktøj (uden netledning).

1. Sikkerhed i arbejdsområdet

- Hold arbejdsområdet rent og ordentligt oplyst.** Rodede eller mørke områder giver anledning til ulykker.
- Brug ikke elværktøj i eksplosive omgivelser, f.eks. hvor der er brændbare væsker, gasser eller støv.** Elværktøj danner gnister, der kan antænde støv eller dampe.
- Hold børn og andre personer i nærheden på afstand, når der arbejdes med elværktøj.** Distractioner kan medføre, at du mister kontrollen.

2. Elektricitet og sikkerhed

- Elværktøjets stik skal passe til kontakten. Stikket må aldrig modificeres på nogen måde. Undlad at bruge adapterstik sammen med (jordforbundet) elektrisk værktøj.** Umodificerede stik og dertil passende stikkontakter reducerer risikoen for elektrisk stød.
- Undgå kropskontakt med jordforbundne overflader som f.eks. rør, radiatorer, komfurer og køleskabe.** Der er øget risiko for elektrisk stød, hvis din krop er jordforbundet.
- Udsæt ikke elværktøj for regn, og brug det ikke, hvor omgivelserne er våde.** Hvis der trænger vand ind i et elektrisk værktøj, øges risikoen for elektrisk stød.
- Pas på, at ledningen ikke beskadiges. Brug aldrig ledningen til at bære, trække værktøjet eller trække det ud af stikkontakten.** Hold ledningen borte fra varme, olie, skarpe kanter og bevægelige dele. Beskadigede eller sammenfiltrede ledninger øger risikoen for elektrisk stød.
- Hvis elværktøj benyttes i det fri, skal der benyttes en forlængerledning, som er godkendt til udendørs brug.**

Brug af en ledning, der er egnet til udendørs brug, reducerer risikoen for elektrisk stød.

- Brug en strømkilde med fejlstrømsrelæ, hvis det er nødvendigt at anvende elværktøj på fugtige steder.** Ved at benytte en fejlstrømsafbryder reduceres risikoen for elektrisk stød.

3. Personssikkerhed

- Vær opmærksom, hold øje med, hvad du laver, og brug elværktøjet fornuftigt. Betjen ikke værktøjet, hvis du er træt, påvirket af narkotika, alkohol eller medicin.** Et øjeblik uopmærksomhed under anvendelse af et elektrisk værktøj kan forårsage alvorlige kvæstelser.
 - Brug personligt beskyttelsesudstyr. Bær altid beskyttelsesbriller.** Det er muligt at reducere risikoen for kvæstelser ved alt efter omstændighederne at anvende det passende sikkerhedsudstyr såsom støvmaske, skridsikre sikkerhedssko, sikkerhedshjelm eller høreværn.
 - Træf forholdsregler, så utilsigtet start ikke er mulig. Kontrollér, at afbryderkontakten står på slukket, inden værktøjet tilsluttes strømkilden og/eller batteriet, samles op eller bæres.** Når elektrisk værktøj bæres med fingeren på kontakten eller tilsluttes, når kontakten er tændt, giver det anledning til ulykker.
 - Fjern indstillingsnøgle eller skruenøgle, inden elværktøjet startes.** En skruenøgle eller anden nøgle, der bliver siddende på en roterende del af elektrisk værktøj, kan give anledning til personskade.
 - Stræk dig ikke for langt. Hold hele tiden en god fodstilling og balance.** Dette udgør at du har bedre kontrol over det elektriske værktøj, når uventede situationer opstår.
 - Brug egnet arbejdstøj. Bær ikke løst tøj eller smykker. Hold dit hår og tøj væk fra bevægelige dele.** Løstsiddende tøj, smykker eller langt hår kan blive fanget i bevægelige dele.
 - Hvis der kan monteres støvudsugnings- og opsamlingsudstyr, skal dette tilsluttes og benyttes korrekt.** Anvendelse af støvsugningsudstyr kan begrænse farer forårsaget af støv.
 - Lad ikke kendskab fra hyppig brug af værktøjer gøre dig uforsigtig og få dig til at ignorere principperne for værktøjssikkerhed.** En uforsigtig handling kan forårsage alvorlig personskade på en brøkdal af et sekund.
- #### 4. Brug og vedligeholdelse af elværktøj
- Overbelast ikke elværktøjet. Brug det elværktøj, der er bedst egnet til det arbejde, der skal udføres.** Det korrekte elværktøj klarer opgaven bedre og mere sikkert med den effekt, som det er konstrueret til.
 - Brug ikke elværktøjet, hvis afbryderkontakten er defekt.** Alt elektrisk værktøj, der ikke kan kontrolleres med kontakten, er farligt og skal repareres.

- c. **Træk stikket ud af stikkontakten og/eller batteriet inden indstilling, tilbehørsudskiftning eller opbevaring af elværktøjet.** Sådanne forebyggende sikkerhedsforanstaltninger mindsker risikoen for, at værktøjet startes utilsigtet.
- d. **Opbevar ubenyttet elværktøj uden for børns rækkevidde. Lad aldrig personer, der ikke er fortrolige med elværktøjet, eller som ikke har læst denne vejledning, benytte maskinen.** El-værktøj er farligt i hænderne på personer, som ikke er instrueret i brugen deraf.
- e. **Elværktøj og tilbehør skal vedligeholdes. Kontroller, om bevægelige dele er skæve og ikke sidder fast, og om delene er brækket eller beskadiget, så elværktøjets funktion påvirkes. Hvis det elektriske værktøj er beskadiget, skal det repareres før brug.** Mange ulykker er forårsaget af dårligt vedligeholdt værktøj.
- f. **Hold skæreværktøj skarpt og rent.** Ordentligt vedligeholdet skæreværktøj med skarpe skærekanter har mindre tilbøjelighed til at binde og er lettere at styre.
- g. **Brug elværktøjet, tilbehøret, værktøjsindsatser osv. i overensstemmelse med disse instruktioner under hensyntagen til arbejdsforholdene og arbejdet, der skal udføres med værktøjet.** Brug af elektrisk værktøj til andre opgaver end dem, det er beregnet til, kan resultere i en farlig situation.
- h. **Hold håndtagene og håndtagsfladerne tørre, rene og fri for olie og fedt.** Glatte håndtag og fedtede håndtagsflader giver ikke en sikker håndtering og kontrol af værktøjet i uventede situationer.
5. **Service**
- a. **Lad kun fagkyndige personer reparere elværktøjet og benyt kun originale reservedele.** Derved sikres det, at værktøjets driftssikkerhed opretholdes.

Sikkerhedsinstruktioner gældende for alle geringslave

- ◆ **Geringslave er beregnet til at skære træ eller træliggende produkter. De kan ikke bruges med slibende skæreskiver til savning af jernholdigt materiale såsom stænger, stifter osv.** Støv fra slibepulver får dele i bevægelse, såsom den nederste skærm, til at sætte sig fast. Gnister fra slibeskæring vil brænde den nederste skærm, savsnitindsatsen og andre dele af plast.
- ◆ **Brug klemmer til at understøtte arbejdsemnet, når det er muligt.** Hvis arbejdsemnet understøttes med hånden, skal du altid holde din hånd mindst 100 mm fra hver side af savklingen. Brug ikke denne sav til at skære stykker, der er for små til at blive fastgjort sikkert eller holdt med hånden. Hvis din hånd anbringes for tæt på savklingen, er der en forhøjet risiko for personskade fra kontakt med klingen.
- ◆ **Arbejdsemnet skal være stationært eller fastgjort eller holdes mod både anslaget og bordet. Undlad at føde arbejdsemnet i klingen eller skære med "fri hånd" på nogen som helst måde.** Ikke fastgjorte arbejdsemner eller arbejdsemner i bevægelse kan slynges ved høje hastigheder og forårsage personskade.
- ◆ **Skub saven gennem arbejdsemnet. Træk ikke saven gennem arbejdsemnet. For at foretage et snit skal du hæve savhovedet og trække det ud over arbejdsemnet uden at save, starte motoren, presse savhovedet ned og skubbe saven gennem arbejdsemnet.** Hvis der saves under trækbevægelsen, vil det sandsynligvis få savklingen til at komme op på toppen af arbejdsemnet og kaste klingesamlingen voldsomt mod operatøren.
- ◆ **Kryds aldrig hånden over den beregnede savlinje, hverken foran eller bag savklingen.** Det er meget farligt at støtte arbejdsemnet "med krydset hånd", dvs. at holde arbejdsemnet til højre for savklingen med din venstre hånd eller omvendt.
- ◆ **Undlad at række bag anslaget med hånden tættere end 100 mm fra hver side af savklingen for at fjerne træstumper eller af en anden årsag, mens klingen roterer.** Nærheden af den roterende savklinge på din hånd er muligvis ikke tydelig, og du kan blive alvorligt skadet.
- ◆ **Inspicer dit arbejdsemne, inden du saver. Hvis arbejdsemnet er bøjet eller forvrænget, skal det fastgøres med den ydre bøjede side mod anslaget. Sørg altid for, at der ikke er noget mellemrum mellem arbejdsemnet, anslaget og bordet langs savlinjen.** Bøjede eller forvrængede arbejdsemner kan dreje eller flytte sig, hvilket kan resultere i, at den roterende savklinge binder, mens der saves. Der bør ikke være søm eller fremmedlegemer i arbejdsemnet.
- ◆ **Brug ikke saven, indtil bordet er fri for alle værktøjer, træstumper osv., bortset fra arbejdsemnet.** Små rester eller løse træstykker eller andre genstande, der kommer i kontakt med den roterende klinge, kan blive kastet væk med høj hastighed.
- ◆ **Sav kun ét arbejdsemne ad gangen.** Flere stablede arbejdsemner kan ikke blive fastgjort eller støttet på passende vis, og de kan binde sig på klingen eller blive forskudt under savning.
- ◆ **Sørg for, at geringsaven er monteret eller placeret på en plan, fast arbejdsflade inden brug.** En plan og fast arbejdsflade reducerer risikoen for, at geringsaven bliver ustabil.
- ◆ **Planlæg dit arbejde. Hver gang du ændrer smig- eller geringsvinkelindstillingen, skal du sikre dig, at afskærmningen er indstillet korrekt til at understøtte arbejdsemnet, og at den ikke forstyrrer klingen eller**

beskyttelsessystemet. Uden at sætte værktøjet på "ON" (Tændt) og uden noget arbejdsemne på bordet, skal savklingen bevæges gennem et helt simuleret snit for at sikre, at der ikke opstår interferens eller fare for at save i anslaget.

- ◆ **Lever passende støtte såsom bordforlængelser, savbukke osv. for et arbejdsemne, der er bredere eller længere end bordtoppen.** Arbejdsemner, der er længere eller bredere end geringssavbordet kan vippe, hvis de ikke støttes godt. Hvis det afskårne emne eller arbejdsemne vipper, kan det løfte det nederste skjold eller blive kastet af den roterende klinge.
- ◆ **Brug ikke en anden person som en erstatning for en bordforlængelse eller som ekstra støtte.** En ustabil støtte af arbejdsemnet kan få klingen til at binde sig eller få arbejdsemnet til at blive forskudt under savningen, så du og hjælperen trækkes ind i den roterende klinge.
- ◆ **Det afskårne emne må ikke sætte sig fast eller presses på nogen måde mod den roterende savklinge.** Hvis det er begrænset, dvs. hvis der bruges længdestop, kan det afskårne emne kile sig ind mod klingen og blive kastet voldsomt.
- ◆ **Brug altid en holder eller en fikstur, der er udformet til at støtte runde materialer såsom stænger eller rør korrekt.** Stænger har en tendens til at rulle, mens de saves, hvilket får klingen til at "bide" og trække arbejdet med din hånd ind i klingen.
- ◆ **Lad klingen opnå fuld hastighed før kontakt med arbejdsemnet.** Dette reducerer risikoen for, at arbejdsemnet kastes.
- ◆ **Hvis arbejdsemnet eller klingen sætter sig fast, skal geringssaven slukkes. Vent på, at alle dele i bevægelse stopper, og træk stikket ud af stikkontakten og/eller fjern batteripakken. Arbejd derefter på at frigøre det fastklemte materiale.** Hvis du fortsætter med at save med et fastklemt arbejdsemne, kan det resultere i tab af kontrol eller beskadigelse af geringssaven.
- ◆ **Når du er færdig med snittet, skal du slippe kontakten, holde savhovedet nede og vente på, at klingen stopper, inden du fjerner det afskårne emne.** Det er farligt at føre din hånd tæt på den kørende klinge.

Ekstra sikkerhedsinstruktioner for geringssave

- ◆ **Hold håndtaget godt, når du foretager et ukomplet snit, eller når du slipper kontakten, inden savhovedet er helt i nedpositionen.** Savens bremsehandling kan få savhovedet til pludselig at blive trukket nedad og dermed forårsage en risiko for personskade.
- ◆ Den tilsluttede anvendelse er beskrevet i denne betjeningsvejledning. Brug af ekstraudstyr eller tilbehør eller udførelse af andre opgaver med dette værktøj end

de, der anbefales i denne vejledning, kan medføre risiko for personskade og/eller materiel skade.

- ◆ Brug ikke revnede/bøjede/beskadigede/deforme savklinger.
- ◆ Udskift savsnitpladen hvis den er slidt.
- ◆ Anvend ikke klinger med længere eller mindre diameter end anbefalet. For korrekt vurdering af klinger, se de tekniske data. Brug kun de klinger, der er angivet i denne manual, der opfylder EN 847-1.
- ◆ Brug ikke savklinger af hurtigstål (HS-stål).



Advarsel! Berøring af eller indånding af støvpartikler fra savarbejder kan udgøre en fare for både brugerens og eventuelle tilskuers helbred. Bær en specielt designet støvmaske til beskyttelse mod støv og røg, og sørg for, at personer, der befinder sig på eller kommer ind på arbejdsområdet, også er beskyttet.

- ◆ Arbejd ikke med materiale, der indeholder asbest. Asbest kan være kræftfremkaldende.
- ◆ Bær handsker ved håndtering af savklinger og ru materialer (savklinger bør opbevares i en holder, hvor det er muligt).
- ◆ Bær høreværn for at reducere risikoen for påført høretab.
- ◆ Brug evt. specialudviklede støjrducerende savblade.
- ◆ Bær øjeværn for at reducere risikoen for alvorlig personskade.
- ◆ Brug den medfølgende støvpose ved savning i træ.
- ◆ **Hold kun fast i elværktøjet ved hjælp af de isolerede håndtagsflader, når der skal saves i emner, hvor skæreværktøjet kan berøre skjulte ledninger eller sit eget kabel.** Hvis skæretilbehøret rammer en strømførende ledning, bliver elværktøjets blottagte dele strømførende, så brugeren
- ◆ Vælg den korrekte klinge til det materiale, der skal skæres.
- ◆ Brug ikke maskinen uden påmonteret skjold. Brug ikke maskinen, hvis skjoldet ikke fungerer eller ikke er korrekt vedligeholdt.
- ◆ Sørg for at armen er sikkert fastgjort ved udførelse af smigskæringer.
- ◆ Før hvert savsnit kontroller, at maskinen er stabil.
- ◆ Sørg for, at håndtagene er tørre, rene og fri for olie og fedt.
- ◆ Hold området omkring maskinen ryddeligt og frit for løst materiale som f.eks. spåner og afsavede stykker.
- ◆ Sørg for, at maskinen og arbejdsområdet har tilstrækkeligt generelt eller lokalt lys.
- ◆ Lad ikke uerfarne personer betjene maskinen.
- ◆ Kontroller, at klingen er monteret korrekt før brug. Sørg for at klingen roterer i den korrekte retning. Hold klingen skarp. Følg vejledningen vedrørende smøring og udskiftning af tilbehør.

- ◆ Kontrollér at den afmærkede hastighed på savklingen mindst svarer til den hastighed, der er afmærket på klassificeringsklingen.
- ◆ Sørg for, at eventuelle anvendte afstandsstykker og spindelringe er velegnede til formålet, som angivet af BLACK+DECKER.
- ◆ Reparation af savlinjestyresystemet skal udføres af autoriserede værksteder eller af et BLACK+DECKER-værksted.
- ◆ Frakobl maskinen, før du udfører vedligeholdelse eller udskifter klingen.
- ◆ Rengør og vedligehold ikke maskinen, og fjern ikke afsavede stumpere eller andre dele af arbejdsemnet fra saveområdet, når maskinen kører, og savhovedet ikke er i hvilestilling.
- ◆ Hvis muligt monter altid maskinen på en bænk.
- ◆ Kontroller, at alle låseknapper og greb er spændt, før arbejdet påbegyndes.
- ◆ Brug aldrig saven uden bordindsatsen.
- ◆ Forsøg aldrig at stoppe maskinen hurtigt, mens den kører, ved at blokere savbladet med et værktøj eller andet; det kan forårsage alvorlige ulykker.
- ◆ Læs brugervejledningen før anvendelse eller montering af tilbehør. Ukorrekt anvendelse af tilbehør kan medføre skader.
- ◆ Hæv savbladet fra bordindsatsen i arbejdsemnet, før afbryderkontakten slippes.
- ◆ Fastkil ikke noget imod blæseren for at holde motorakslen.
- ◆ Klingens beskyttelsesskærm på din sav vil automatisk blive hævet, når armen føres nedad; den vil blive sænket over hele klingen, når armen hæves. Beskyttelsesskærmen kan hæves manuelt ved af- eller påmontering af savklinger eller ved eftersyn af saven. Hæv aldrig skjoldet manuelt, medmindre der er slukket for maskinen.
- ◆ Kontrollér med jævne mellemrum, at motorens ventilationshuller er rene og fri for skår.
- ◆ Gør ikke advarselsskiltene på elværktøjet ulæselige.
- ◆ Stå ikke på elværktøjet. Der kan opstå alvorlig tilskadekomst, hvis elværktøjet vælter eller ved kontakt med klingen.
- ◆ Rør ikke ved klingen efter arbejde, før den er kølet af. Klingen bliver meget varm under arbejde.
- ◆ For at undgå tilskadekomst forårsaget af materialer, der kastes ud, skal savens ledning tages ud af stikkontakten, før mindre dele fjernes.
- ◆ Klingens skjold skal kontrolleres for korrekt funktion før brug og efter vedligeholdelse. Denne test skal udføres, mens saven er slukket og ledningen taget ud af stikkontakten. Armen skal hæves og sænkes, for at sikre, at skjoldet dækker klingen, og at klingen ikke rører ved skjoldet. Få elværktøjet serviceret af et kvalificeret værksted, hvis skjoldet ikke fungerer korrekt. Kontakt

BLACK+DECKER kundeservice for at få oplyst nærmeste serviceværksted.

- ◆ **Denne geringsstav er kun beregnet til savning i træ, plastik og ikke-jernholdigt metal.** Anvend ikke saven til at skære i andre materialer end dem, der anbefales af producenten.
- ◆ Rør ikke ved klingen efter arbejde, før den er kølet af. Klingen bliver meget varm under arbejde.



Advarsel! Skæring i plastik, safrigt træ og andre materialer kan forårsage, at smeltede materialer akkumuleres på klingespidserne og selve savklingen, hvilket øger risikoen for, at klingen bliver overophedet og binder under skæring.

Tilbageværende risici

De følgende risici er uløseligt forbundet med brugen af save: Selv ved overholdelse af relevante sikkerhedsforskrifter og anvendelse af sikkerhedsudstyr kan visse resterende risici ikke undgås. Disse omfatter:

- ◆ Tilskadekomst forårsaget af berøring af roterende/bevægelige dele.
- ◆ Hørenedsættelse.
- ◆ Risiko for uheld forårsaget af udekkede dele af det roterende savblad.
- ◆ Risiko for tilskadekomst ved udskiftning af dele, klinger eller tilbehør.
- ◆ Risiko for at klemme fingre ved åbning af beskyttelsesskærme.
- ◆ Sundhedsrisici forårsaget af indånding af det støv, der udvikles ved savning i træ, især eg, bøg og MDF.
- ◆ Tilskadekomst forårsaget af langvarig brug af et apparat. Husk at holde pause jævnligt ved brug af et apparat i længere tid.

Støj

De angivne værdier for udsendelse af støj er målt iht. standardtestmetoden og kan bruges til at sammenligne ét værktøj med et andet.

De angivne støjmissionsværdier kan også bruges i forbindelse med en foreløbig vurdering af eksponeringen.

Advarsel! Støjmissionerne ved faktisk brug af elværktøjet kan afvige fra de angivne værdier afhængig af måden, værktøjet anvendes på, især typen af behandlet arbejdsemne.

Advarsel! Bær altid høreværn. Under nogle forhold og varigheden af brug, kan støj fra dette produkt give høretab. Vær opmærksom på de følgende faktorer, som har indflydelse på udsættelse for støj:

- ◆ Brug savklinger, der er designet til at reducere støjstråling,
- ◆ Brug kun godt slebne savklinger, og
- ◆ Brug specifikt designede støjreducerende savklinger.

Mærkatet på værktøjet

Følgende piktogrammer vises på værktøjet sammen med datokoder:



Advarsel! Brugeren skal læse brugervejledningen for at reducere risikoen for kvæstelser.



Bær sikkerhedsbriller eller beskyttelsesbriller



Bær høreværn



Bær en støvmaske



Dette produkt må ikke bruges af børn under 16 år



Hold hænderne væk fra klinger



Håndfrit område – hold fingre og arme væk fra roterende savklinger



Bær handsker ved håndtering af savblade



Kig ikke ind i lampen, når den er tændt



Udsæt det ikke for regn.



Tag stikket ud af stikkontakten, hvis ledningen bliver beskadiget eller filtrer.

Elektricitet og sikkerhed



Denne maskine er dobbelt isoleret. Derfor er jordledning ikke nødvendig. Kontrollér altid, at strømforsyningen svarer til spændingen på mærkepladen.

- ◆ Hvis netledningen beskadiges, skal den udskiftes af producenten eller et autoriseret BLACK+DECKER-værksted, så farlige situationer undgås.

Spændingsfald

Indkoblingsstrømspidser forårsager kortvarige spændingsfald. Under ugunstige strømforsyningsforhold kan andet udstyr påvirkes. Hvis strømforsyningens systemimpedans er lavere end 0.178 Ω, opstår der normalt ikke forstyrrelser.

Brug af en forlængerledning

Brug altid en godkendt forlængerledning, der er egnet til dette værktøjs strømstik (se de tekniske data). Før brug skal forlængerledningen inspiceres for tegn på beskadigelse, slid og ældning. Udskift forlængerledningen, hvis den er beskadiget eller defekt. Ved brug af en ledningstrømle skal ledningen altid ruller helt ud. Brug af en forlængerledning, der ikke passer til værktøjets strømstik, eller som er beskadiget eller defekt, kan medføre risiko for brand eller elektrisk stød.

Funktioner

Apparatet har nogle eller alle af de følgende funktioner.

1. Glidestykker
2. Låsegreb til smigsnit
3. Støttestander
4. Arbejdsemneholder
5. Bordforlængelseskinne
6. Bolthuller
7. Geringsvinkelindikator
8. Bordindsats
9. Geringslåsegreb
10. Fundamentsplade
11. Drejebord
12. Baganslag
13. Savklinge
14. Klingens beskyttelseskærm
15. Sikkerhedsskærmmonteringsplade
16. Motorhus
17. Savhovedlåsestift
18. Hovedhåndtag
19. Udløserkontakt
20. Sikkerhedsudløsergreb
21. Tænd-/slukknop til skærelinjelys
22. Bærehåndtag
23. Støvpose
24. Indstillelig støttefod
25. Smigvinkelindikator
26. Geringsvinkelskala
27. Smigvinkelskala
28. Låseskrue til glidestykke
29. Skrue til skæredybde
30. Klingskifteværktøj
31. Spindellås
32. Geringslåseudløsning
33. Forlængelseskinnelåseskrue
34. Holderlåseskrue
35. Låseskrue til glideanslag
36. Kabelindpakning

Samling

Din geringssav er en del monteret i kartonen.

- ◆ Åbn din æske, og løft saven ud.

- ◆ Anbring saven på en glat, flad overflade såsom en arbejdsbænk eller et stærkt bord.
- ◆ Undersøg monteringsdiagrammet på side 2 i denne vejledning for at blive bekendt med saven og dens forskellige dele. Afsnittet om justeringer refererer til disse vilkår, og du skal vide, hvad og hvor disse dele er.
- ◆ Når værktøjet sendes, er håndtaget låst i den nedre position med savhovedlåsestiften (17). Træk savhovedlåsestiften (17), og drej den 90°, enten med uret eller mod uret, som vist på figur A.
- ◆ Geringsslåsegrebet (9) er ikke monteret til forsendelse. Fjern geringsslåsegrebet (9) fra emballagen, og skru det fast på saven, se figur B for position.

Bordforlængelsesskinne (fig. C og D)

Din geringssav leveres med 2 bordforlængelsesskinner (5) for at støtte lange overhængende arbejdsstykker.

- ◆ Træk bordforlængelsesskinne (5) til den påkrævede længde for arbejdsstykket, som vist på figur C.
- ◆ Fastgør i position ved at stramme forlængelsesskinnelåseskruen (33), som vist på figur D.
- ◆ Gentag processen på den modsatte side.

Støttestander - kun BES710 (fig. E)

Din BES710 geringssav leveres med 1 støttestander (3), placeret bag på enheden, for at forbedre stabilitet.

Montering på bænk (fig. F)

Geringssaven kan boltes med fire bolte (6a) (ikke forsynet) til en plan og stabil overflade ved hjælp af bolthullerne (6) forsynet i værktøjsbunden. Dette vil forhindre vipning og eventuel personskade.

Støvopsamling (fig. G)

Brugen af støvposen (23) gør savhandlingerne rene og støvopsamlingen nem.

- ◆ For at fastgøre støvposen (23) skal du sætte den på støvmundstykket (23a).
- ◆ Når støvposen (23) er ca. halvt fuld, skal du fjerne den fra værktøjet.
- ◆ Tøm støvposen for dens indhold ved at banke den let for at fjerne partikler, der sidder fast på indersiderne, hvilket kan hæmme yderligere opsamling.

Bemærk: Hvis du slutter en værktøjsstøvsuger til din sav, kan der foretages mere effektive og renere handlinger.

Sådan installeres arbejdsemneholderen (fig. H)

- ◆ Isæt holderen (4) i hullet (4c) bag anslaget. Holderen skal vende imod geringssavens bagside. Rillen på holderstangen skal være helt indsat i fundamentet. Kontrollér at rillen er helt indsat i geringssavens fundament. Hvis rillen er synlig, vil holderen ikke være sikret.

- ◆ Drej holderen 180° imod geringssavens forside.
- ◆ Løsn grebet (4b) for at justere holderen op eller ned, brug derefter finjusteringsgrebet (4a) til at fastgøre arbejdsemnet.

Bemærk: Anbring holderen på den modsatte side af fundamentet under smigskæring. FORETAG ALTID TØRKØRSLER (UDEN STRØM), FØR DU AFSLUTTER SNIT, SÅ DU KAN KONTROLLERE KLINGENS STI. SØRG FOR AT HOLDEREN IKKE FORSTYRRER SAVENS ELLER BESKYTTELSESSKÆRMENES FUNKTIONER.

Ændring eller montering af en ny savklinge (fig. I, J, K)

Advarsel! For at reducere risikoen for alvorlig personskade sluk for værktøjet og frakobl det fra strømkilden før forsøg på at flytte det, ændre tilbehør eller foretage nogen justeringer.

Advarsel! Tryk aldrig på spindlens låseknap (31), når strømmen er tilsluttet til klingene eller under friløb.

Advarsel! Skær ikke jernholdigt metal (indeholdende jern eller stål) eller murværk eller støbte cementprodukter med denne geringssav.

Udskiftning af klingene

- ◆ Tag savens stik ud.
- ◆ Hæv armen til den øverste position og skub beskyttelseskærmen (14) op så meget som muligt.
- ◆ Løsn, men fjern ikke afskærningsbeslagets skrue (13c), indtil beslaget kan hæves nok til at få adgang til klingskruen (13a). Den nederste afskærning vil forblive hævet pga. afskærningsbeslagets skrue, som vist i figur I.
- ◆ Tryk spindellåseknappen (31) ned, mens savklingen drejes forsigtigt, indtil låsen falder i hak, som vist i figur J.
- ◆ Mens knappen holdes nede, brug den anden hånd og det leverede klingskifteværktøj (30) til at løsne klingskruen (13a). (drej venstre gevind med uret.)
- ◆ Fjern klingskruen (13a), den udvendige holdespændeskive (13d), klingens (13) og klingeadapteren (13e), hvis anvendt. Den indvendige spændeskive (13f) kan blive siddende på spindlen.

Isætning af en klinge

- ◆ Tag savens stik ud.
- ◆ Med armen hævet, beskyttelseskærmen åben og afskærningsbeslaget hævet, anbring klingens klingeadapteren og mod den indvendige klingeadapteren med tænderne nederst på klingens pegende imod savens bagside.
- ◆ Saml den udvendige holdespændeskive på spindlen.
- ◆ Installer klingskruen og spænd, idet spindellåsen aktiveres, skruen godt fast med den leverede skruetrækker (drej venstre gevind mod uret).

Justering af geringsvinklen (fig. L)

- ◆ Løsn grebet (9) ved at dreje det imod uret.
- ◆ Brug geringlåsudløsnings (32) til at bevæge drejebordet (11) til den position, hvor markøren (7) peger mod den ønskede vinkel på geringsskalaen (26), og stram grebet med uret.
- ◆ Den indstillelige støttefod (24) er beregnet til at holde værktøjet i balance. Efter hver geringsvinkeljustering bør du dreje grebet på foden med uret eller mod uret, indtil dets bund berører jorden. Der er to positioner afhængigt af din arbejdsbænkens dybde.

Skæredybde

Hvis du vil skære en rille, kan du indstille skæredybden ved hjælp af skruen til skæredybde (29) eller klingens.

- ◆ Drej skruen til skæredybde (29), og fastgør med kontramøtrikken.

Justering af anslag

Inden smigskæring skal du sørge for, at ingen del af værktøjet kommer i kontakt med anslaget (12) ved fuld sænkning og hævnings af håndtaget i hvilken som helst position samt trækning eller skubning hele vejen af vognen ved den laveste position. Inden betjening af værktøjet skal du sørge for, at den glidende afskærmning er godt sikret af låseskruen til den glidende afskærmning (35).

Advarsel! Når du udfører smigskæringer, skal du skubbe den glidende afskærmning til venstre og fastgøre. Ellers kommer den i kontakt med klingens eller en del af værktøjet, hvilket kan forårsage alvorlig personskade hos operatøren.

Dette værktøj er udstyret med den glidende afskærmning, som normalt bør placeres centralt. Ved udførelse af venstre smigskæringer skal du dog indstille den til den venstre position, hvis værktøjshovedet kommer i kontakt med den. Når smigskæringshandlingerne er afsluttet, skal du huske at sætte glideanslaget tilbage til den originale position og fastgøre den ved at stramme låseskruen til glideanslag (35) godt.

Justering af geringsvinklen (fig. M)

Ved vipning af vipning af vognen til venstre skal du løsne grebet (2) bag på værktøjet mod uret. Lås op for armen ved at skubbe håndtaget lidt stærkt i kun den ene retning.

- ◆ Vip savklingen, indtil markøren (25) peger mod den ønskede vinkel på smigvinkelskalaen (27).
- ◆ Stram grebet (2) godt mod uret for at fastgøre armen.

Advarsel! Under vipning af savklingen skal du sørge for at hæve håndtaget helt. Når du har ændret faskvinklen, skal du altid sikre armen ved at stramme grebet med uret.

Advarsel! Ved vipning af savklingen skal du altid være bevidst om hovedets vægt og sørge for at undgå, at det bryder sammen.

Skiftehandling (fig. N)

Forsigtig! Før værktøjet tilsluttes, kontrollér altid for at se, om udløserkontakten (19) fungerer korrekt og vender tilbage til "OFF" position, når den udløses.

- ◆ For at starte værktøjet skal du flytte sikkerhedsudløsergrebet (20) til højre med din pegefingert.
- ◆ Tryk på udløserkontakten (19).
- ◆ Slip udløserkontakten (19) for at stoppe værktøjet.

Advarsel! Brug aldrig værktøjet uden en helt operativ udløserkontakt. Et værktøj med en ikke-operativ kontakt er MEGET FARLIG og skal repareres inden brug.

Brug af skærelinjesystem (fig. N)

Bemærk: Geringssaven skal være tilsluttet til en strømkilde. Skærelinjesystemet er udstyret med en tænd-/slukkontakt (21). Skærelinjesystemet er uafhængigt af geringssavens udløserkontakt.

Lyset behøver ikke være tændt for arbejde med saven. Sådan skærer du gennem en eksisterende blyantstreg på et stykke træ:

- ◆ Tænd for skærelinjesystemet, træk derefter ned i driftshåndtaget (18) for at bringe savklingen tæt til træet. Klingens skygge vil blive vist på træet.
- ◆ Ret blyantstregen ind efter hjørnet på klingens skygge. Det kan være nødvendigt at justere gerings- eller smigvinklerne til nøjagtigt at matche blyantstregen.

Tværsnit

Et tværsnit laves ved at save træ på tværs af årene i hvilken som helst vinkel. Et lige tværsnit laves med geringssarmen ved nul graders positionen. Indstil og lås træet fast til bordet og imod anslaget. Med skinnelåsegreb spændt, tænd for saven ved at trykke på udløserkontakt (19).

Når saven kommer op i hastighed (ca. 1 sekund), sænk armen jævnt og sav langsomt gennem træet. Lad klingens komme til et fuldt stop, før armen hæves.

Ved savning af noget længere end 51 mm x 102 mm, brug en ned- og tilbagebevægelse med skinnelåsegrebet løst. Træk saven ud imod dig, sænk savhovedet ned imod arbejdsemnet og skub langsomt saven tilbage for at afslutte snittet. Lad ikke savklingen komme i kontakt med det øverste af arbejdsemnet, når det trækkes ud. Saven kan køre imod dig og kan forårsage personskade eller beskadigelse af arbejdsemnet.

Advarsel! Anvend altid en arbejdsklemme til at opretholde kontrollen og nedsætte risikoen for ødelæggelse af arbejdsemnet og personskade.

Bemærk: Skinnelåsegrebet skal være løs, for at saven kan glide langs dens skinner.

Geringstværsnit foretages med geringsarmen ved en anden vinkel end nul. Denne vinkel er tit 45° for savning af hjørner, men kan indstilles overalt fra nul til 47° venstre eller 47° højre. Lav snittet, som beskrevet ovenfor.

For at skære gennem en eksisterende blyantstreg på et stykke træ skal vinklen matche så tæt som muligt. Sav træet lidt for langt, og mål far blyantslinjen til savkanten for at afgøre i hvilken retning, geringsvinklen og gensnittet skal foretages. Dette tager noget øvelse, men det er en almindeligt anvendt teknik.

Krops- og håndposition (fig. O1 – O4)

Korrekt placering af din krop og hænder under arbejde med geringsssaven, vil gøre det lettere at skære mere nøjagtigt og mere sikkert. Hold hænderne på afstand af skæreo området. Anbring ikke hænder tættere end på end 152 mm fra klingens. Hold arbejdsområdet tæt imod bordet og anslaget under skæring. Hold dine hænder i denne position, indtil udløseren er blevet udløst, og klingens helt er stoppet. FORETAG ALTID TØRKØRSLER (UDEN STRØM), FØR DU AFSLUTTER SNIT, SÅ DU KAN KONTROLLERE KLINGENS STI. KRYDS IKKE HÆNDERNE SOM VIST I FIGUR O3 O4. Hold begge fødder solidt plantet på gulvet og oprethold en korrekt balance. Når du flytter geringsarmen til venstre og højre, følg den og stå lidt til siden for savklingen. Kig gennem beskyttelsesskærmens spjæld, når du følger en blyantstreg.

Justering af smigfirkanten i forhold til bordet (fig. P)

Du retter klinge-firkanten i efter bordet ved at låse armen i nedad position med låsestiften. Anbring en firkant imod klingens, idet du sikrer, at firkanten ikke sidder på toppen af en tand. Løsn smiglæsegrebet og kontrollér, at armen sidder fast imod 0° smigstopet. Drej 0° smigjusterings-skruen med 10 mm skruenøglen (medfølger ikke) om nødvendigt, så klingens er ved 0° smig i forhold til bordet, som målt med firkanten.

Skæring af billedrammer, skygebokse og andre firesidede projekter (fig. Q1, Q2)

For bedst at forstå hvordan de angivne ting laves, anbefaler vi, at du prøver nogle få simple projekter med træstumper, indtil du får en "fornemmelse" for din sav. Din sav er det perfekte værktøj til gerings-savning af hjørner som den, der er vist i Figur Q1. Skitse A i Figur Q2 viser en sammenføjning lavet ved hjælp af smigjusteringen for smigning af kanterne af de to plader ved 45° for at producere et 90° hjørne. Til denne sammenføjning blev geringsarmen låst i nul position, og smigjusteringen blev låst ved 45°. Træet er placeret med den brede flade side imod bordet og det snævre hjørne imod anslaget. Snittet kan også laves med gerings-skæring til højre og venstre med den brede overflade imod anslaget.

Skæring af kantprofiler og andre rammer (fig. Q2)

Skitse B i figur Q2 viser en samling, der er lavet ved at indstille geringsarmen ved 45° til at gøre de to plader sammen til at danne et 90° hjørne. Du laver denne type sammenføjning ved at indstille smigjusteringen til nul og geringsarmen til 45°. Anbring igen træet med den brede flade side imod bordet og det snævre hjørne imod anslaget. Figur Q1 og Q2 er kun til firesidede genstande. Når antallet af sider ændres, ændres også gerings- og smigvinklerne.

Skemaet nedenfor angiver de korrekte vinkler til forskellige former.

Antal sider	Gerings- eller smigvinkel
4	45°
5	36°
6	30°
7	25,7°
8	22,5°
9	20°
10	18°

Skemaet antager, at alle sider er lige store. Til en form, der ikke vises i oversigten, brug følgende formular: 180° divideret med antallet af sider er lig med gerings- (hvis materialet er skåret vertikalt) eller smigvinklen (hvis materialet er skåret liggende fladt).

Skæring af kombinerede geringsnit (fig. Q3)

Et kombineret geringsnit er et snit, der laves ved brug af en geringsvinkel og en smigvinkel på samme tid. Det er denne type snit, der bruges til at lave rammer eller kasser med skrånende sider som den, der er vist i figur Q3.

Bemærk: Hvis skærevinklen varierer fra snit til snit, kontrollér at smiglæsegrebet og geringslæsehåndtaget er korrekt låste. De skal være låste, efter der er foretaget nogen ændringer af smig eller gering.

Skæring af bundkantlister (fig. R)

Lige 90° snit:

Anbring træet mod anslaget og hold det på plads, som vist på figur R. Tænd for saven, lad klingens nå sin fulde hastighed, og sænk armen jævnt gennem snittet.

Skæring af bundkantlister op til 70 mm / 90 mm højt vertikalt mod anslaget

BES700 - 70 mm for 216 mm
BES710 - 90 mm for 254 mm

Placer materialet, som vist i figur R. Alle snit skal laves på kantlisterens bagside vendt imod anslaget og med bunden af kantlisterne vendt imod bordet.

	Inde i hjørnet	Uden for hjørnet
Venstre side	Gering venstre 45° Gem venstre side af savningen	Gering venstre 45° Gem venstre side af savningen
Højre side	Gering venstre 45° Gem højre side af savningen	Gering venstre 45° Gem højre side af savningen

Materiale op til 70 mm / 90 mm kan skæres som beskrevet ovenfor.

BES700 - 70 mm for 216 mm

BES710 - 90 mm for 254 mm

Skæring af kronekantlister

For korrekt tilpasning skal kronekantlister være kombineret geret sammen med stor nøjagtighed. De to plane overflader på et bestemt stykke kronekantlister er ved vinkler, der – når de lægges sammen – er lig med præcis 90°. De fleste, men ikke alle, kronekantlister, har en øverste bagvinkel (den del, der passer fladt mod loftet) på 52° og en nederste bagvinkel (den del, der passer fladt mod væggen) på 38°. Din geringsssav har specielle forudindstillede geringslåsепункter på 31,6° til venstre og højre for skæring af kronekantlister ved den korrekte vinkel. Der er også et mærke på smigskalaen ved 33,9°. Tabellen med smigindstilling/typen af snit angiver de korrekte indstillinger for skæring af kronekantlister. (Tallene for gerings- og smigindstillingerne er meget præcise og er ikke nemme at indstille på din sav.) Eftersom de fleste rum ikke har vinkler på præcis 90°, skal du alligevel finjustere dine indstillinger.

Instruktioner om skæring af fladtliggende kronekantlister og brug af kombinerede funktioner

- ◆ Læg kantlisten med bred bagoverflade fladt ned på savbordet (fig. S1).
- ◆ Indstillingerne herunder er for alle standard kronekantlister med 52° og 38° vinkler.

Smigindstilling	Type snit
33,9°	VENTRE SIDE, INDE I HJØRNET: 1. Top af kantliste mod anslag 2. Geringsbord stillet højre 31,6° 3. Gem venstre ende af savningen
33,9°	HØJRE SIDE, INDE I HJØRNET: 1. Bund af kantliste mod anslag 2. Geringsssav stillet venstre 31,6° 3. Gem venstre ende af savningen
33,9°	VENTRE SIDE, UDEN FOR HJØRNET: 1. Bund af kantliste mod anslag 2. Geringsssav stillet venstre 31,6° 3. Gem højre ende af savningen

Smigindstilling	Type snit
33,9°	HØJRE SIDE, UDEN FOR HJØRNET: 1. Top af kantliste mod anslag 2. Geringsbord stillet højre 31,6° 3. Gem højre ende af savningen

Bemærk: Ved indstilling af smig- eller geringsvinkler for alle kombinerede geringsnit skal du huske, at alle vinkler præsenteret for kronekantlister er meget præcise og svære at indstille præcis. Eftersom de nemt kan blive forskudt en smule, og meget få rum har præcise firkantede hjørner, bør alle indstillinger testes på kantlisterester.

Alternativ metode for skæring af kronekantlister

Anbring kantlisten på en vinkel mellem anslaget (12) og savbordet (11), med den øverste side af kronekantlisten på bordet, og den nederste side af kronekantlisten på anslaget, som vist på figur S2. Fordelen ved at skære kronekantlister med denne metode er, at der ikke kræves nogen fassavning. Sidste øjeblik ændringer af geringsvinklen kan laves uden at berøre smigvinklen. Når du støder på andre hjørner end 90°, kan saven på denne måde hurtigt og let justeres til dem.

Instruktioner for skæring af kantlister vinklet mellem anslaget og savfundamentet for alle snit

Denne sav kan skære op til 14 mm x 92 mm kronekantlister indlejret.

- ◆ Anbring kantlisten på skrå, så bunden på kantlisten (del, der går imod væggen, når den er installeret) vender imod anslaget (12), og det øverste af kantlisten hviler på savbordet (11), som vist i figur S2.
- ◆ De skråstillede "flader" bag på kantlisten skal hvile kvadratisk på anslaget og savbordet.

	Inde i hjørnet	Uden for hjørnet
Venstre side	Gering venstre ved 45° Gem højre side af savningen	Gering venstre ved 45° Gem højre side af savningen
Højre side	Gering venstre ved 45° Gem venstre side af savningen	Gering venstre ved 45° Gem venstre side af savningen

Specielle snit

Lav aldrig nogen snit undtagen materialet er sikret på bordet og imod anslaget.

Bøjet materiale (fig. T1, T2)

Ved skæring i bøjet materiale, anbring det altid som vist i figur T1 og aldrig som vist i figur T2. Ukorrekt anbringelse

af materialet vil få klingen til at blokere nær afslutningen af snittet.

Skæring af rundt materiale

Rundt materiale skal være fastgjort eller holdt fast til anslaget for at forhindre det i at rulle. Dette er meget vigtigt ved udførelse af vinkelsnit.

Skæring af lange materialer (fig. U)

En gang imellem vil du støde på et stykke træ, der er lidt for stort til at passe ind under den laveste beskyttelseskærm. For at fjerne skærmen over træet, med saven slukket og din højre hånd på driftshåndtaget, skal du placere den højre tommelfinger uden for den øverste del af skærmen og rulle skærmen op nok til at rydde træet, som vist i figur U. Slip skærmen, inden motoren startes. Skærmekanismen vil fungere korrekt under snittet. Gør kun dette, når det er nødvendigt. **BIND, TAPE ELLER FASTHOLD ALDRIG BESKYTTELSESKÆRMEN ÅBEN UNDER ARBEJDE MED DENNE SAV.**

Advarsel! Sørg altid for, at værktøjet er slukket og frakoblet, inden du justerer eller kontrollerer værktøjets funktion.

Efter brug

- ◆ Efter brug skal du tørre spåner og støv af, som sidder fast på værktøjet, med en klud eller lignende.
- ◆ Hold klingens beskyttelseskærm ren i overensstemmelse med anvisningerne i det tidligere dækkede afsnit.
- ◆ Smør glidedelene med maskinolie for at forebygge rust.
- ◆ Ved opbevaring af værktøjet skal du trække vognen helt mod dig.

Sådan bæres værktøjet

- ◆ Sørg for, at værktøjets ledning er taget ud.
- ◆ Fastgør klingens ved 0° smigvinklen, og drej bunden helt til den højre smigvinkel med låseskruen til glidestykke (28).
- ◆ Fastgør glidestykkerne, efter du har trukket vognen helt mod dig.
- ◆ Sænk håndtaget helt, og lås det i position ved at skubbe savhovedlåsestiften (17) ind.
- ◆ Bær håndtaget ved at holde bærehåndtaget (22).
- ◆ Hvis du fjerner klemmen, støvposen osv., kan du bære værktøjet lettere.
- ◆ Bær værktøjet i den ene hånd ved at holde bærehåndtaget (22) og den ene hånd på værktøjets bunden.

Forsigtig! Fastgør altid alle dele i bevægelse, inden du bærer værktøjet. Savhovedlåsestift (17) er kun til bære- og opbevaringsformål, og den er ikke beregnet til at skære.

Problemløsning

Problem	Mulig årsag	Løsning
Motoren starter ikke	Sav er ikke tilsluttet.	Kontroller, at alle ledninger er tilsluttet.

Problem	Mulig årsag	Løsning
Skærevinkel unøjagtig	Geringsbord oplåst.	Brug låsegrebet til geringsbord (se afsnittet Justering af geringsvinkel).
	For meget savsmuld under bord.	Støvsug eller blæs støv ud. Bær beskyttelsesbriller.
Skæream kan ikke hæves helt, eller klingens beskyttelseskærm kan ikke lukkes helt	Svigt af dele.	Kontakt servicecenter.
	Drejefjedrer ikke sat korrekt på plads efter service.	Kontakt servicecenter.
	Ophobning af savsmuld.	Rengør og smør dele i bevægelse.
Klinge binder, sidder fast eller ryster	Savhovedlåsestift ikke indstillet korrekt.	Kontroller, juster og indstil savhovedlåsestift korrekt.
	Savklinge beskadiget.	Udskift klingens.
	Støv klinge.	Udskift eller slib klinge.
	Forkert klinge.	Udskift klingens.
Sav vibrerer eller ryster	Skæv klinge.	Udskift klingens.
	Savklinge beskadiget.	Udskift klingens.
	Savklinge løsnet.	Stram akselbolt.
	Sav ikke korrekt fastgjort.	Fastgør sav til bænk, stativ eller bord.
	Arbejdsemne ikke korrekt understøttet.	Understøt eller fastklem arbejdsemne korrekt.

Miljøbeskyttelse



Særskilt indsamling. Produkter og batterier mærket med dette symbol må ikke bortskaffes sammen med normalt husholdningsaffald.

Produkter og batterier indeholder materialer, der kan genvindes eller genbruges og således reducere efterspørgslen efter råvarer. Genbrug venligst elektriske produkter og batterier i henhold til lokale bestemmelser. Yderligere informationer findes på www.2helpU.com.

Tekniske data

	BES700 type 1	BES710 type 1
Spænding	V	230
Hastighed	/min.	4800
Klingens udvendige diameter	mm	216
Borediameter	mm	30
Vægt	kg	12,1
Klingens tykkelse	mm	1,8
Klinge maks. savsnit	mm	2,8
Gering (maks. positioner)	°	+/- 47
Fas (maks. positioner)	°	47
Maks. tværsnitskapacitet ved 90 °	mm	305
Maks. geringskapacitet ved 45 °	mm	203
Maks. dybdesnit ved 90 °	mm	70
Maks. dybdesnit ved 45 °	mm	35

BES700 - Lydtrykniveau i henhold til EN 62841: L_{pA} (lydtryk) 97,5 dB(A), Usikkerhed (K) 3 dB(A) L_{WA} (lydeffekt) 108,0 dB(A), Usikkerhed (K) 3 dB(A)**BES710 - Lydtrykniveau i henhold til EN 62841:** L_{pA} (lydtryk) 96,0 dB(A), Usikkerhed (K) 3 dB(A) L_{WA} (lydeffekt) 107,5 dB(A), Usikkerhed (K) 3 dB(A)

Besøg venligst vores websted www.blackanddecker.co.uk for at registrere dit nye BLACK+DECKER produkt og modtage opdateringer om nye produkter og specielle tilbud.

EU-overensstemmelseserklæring

MASKINDIREKTIV



BES700, BES710 Kombineret, forskydelig geringssav

Black & Decker erklærer, at produkterne beskrevet under "Tekniske data" er i overensstemmelse med: EN62841-1:2015, EN62841-3-9:2015+A11:2017

Disse produkter er endvidere i overensstemmelse med direktiv 2006/42/EF, 2014/30/EU og 2011/65/EU.

Kontakt Black & Decker på nedenstående adresse eller se vejledningens bagside for at få yderligere oplysninger.

Undertegnede er ansvarlig for udarbejdelsen af de tekniske data og fremsætter denne erklæring på vegne af Black & Decker.

A. P. Smith
Teknisk direktør
Black & Decker Europe, 210 Bath Road, Slough,
Berkshire, SL1 3YD
Storbritannien
01/03/2019

Garanti

Black & Decker er overbevist om den gode kvalitet af sine produkter og giver forbrugerne en garanti på 24 måneder fra købsdatoen. Garantien er et tillæg til forbrugerens lovmæssige rettigheder og påvirker ikke disse. Garantien er gyldig inden for medlemsstaterne af Den Europæiske Union og Det Europæiske Frihandelsområde.

Når du gør krav på garantien, skal kravet være i overensstemmelse med Black & Decker vilkår og betingelser, og du skal indsende dokumentation for købet til sælgeren eller til en autoriseret reparatør. Vilkår og betingelser for Black & Decker 2 års garanti og placeringen af dit nærmeste autoriserede serviceværksted kan fås på internettet på www.2helpU.com, eller ved at kontakte dit lokale Black & Decker kontor på den adresse, der er angivet i denne.

Käyttötarkoitus

Liukuva, yhdistetty BLACK+DECKER BES700, BES710 -jiiresaha on suunniteltu vain puun, muovin ja ei-rautapitoisen metallin sahaamiseen. Työkalu on tarkoitettu yksityiskäyttöön.

Turvallisuusohjeet

Sähkötyökalujen yleiset turvavaroitukset



Varoitus! Lue kaikki sähkötyökalun mukana toimitetut varoitukset, käyttöohjeet ja tekniset tiedot.

Alla olevien varoitusten ja ohjeiden noudattamisen laiminlyönti saattaa johtaa sähköiskuun, tulipaloon ja/tai vakavaan loukkaantumiseen.

Säästä kaikki varoitukset ja ohjeet tulevaa käyttöä varten. Ohjeissa käytetty käsite "sähkötyökalu" tarkoittaa verkkokäyttöisiä sähkötyökaluja (verkkojohdolla varustettuja) ja akkukäyttöisiä sähkötyökaluja (ilman verkkojohtoa).

1. Työalueen turvallisuus

- Pidä työalue puhtaana ja hyvin valaistuna.**
Onnettomuuksia sattuu herkemmin epäsiistissä tai huonosti valaistussa ympäristössä.
- Älä käytä sähkötyökalua räjähdysalttiissa ympäristössä, jossa on syttyvää nestettä, kaasua tai pölyä.** Sähkötyökalujen aiheuttamat kipinät voivat sytyttää pölyn tai kaasut.
- Pidä lapset ja sivulliset loitolla sähkötyökalua käyttäessäsi.** Keskittymiskyvyn herpaantuminen voi aiheuttaa hallinnan menettämisen.

2. Sähköturvallisuus

- Sähkötyökalun pistokkeen on sovitava pistorasiaan.** Älä koskaan tee pistokkeeseen mitään muutoksia. Älä yhdistä maadoitettua sähkötyökalua jatkojohtoon. Sähköiskun vaara vähenee, jos pistokkeisiin ei tehdä muutoksia ja ne yhdistetään vain niille tarkoitettuihin pistorasioihin.
- Vältä koskettamista maadoitettuja pintoja, kuten putkia, lämpöpattereita, liesiä tai jääkaappeja.** Voit saada sähköiskun, jos kehosi on maadoitettu.
- Älä altista sähkötyökalua sateelle tai kosteudelle.** Sähkötyökaluun menevä vesi lisää sähköiskun vaaraa.
- Älä käsittele virtajohtoa kovakouraisesti.** Älä kannata työkaluja sähköjohdosta tai vedä pistoketta pistorasiasta sähköjohdon avulla. Pidä sähköjohto kaukana kuumuudesta, öljystä, terävistä reunoista tai liikkuvista osista. Vaurioituneet tai sotkeutuneet johdot lisäävät sähköiskun vaaraa.
- Käyttäessäsi sähkötyökalua ulkona käytä ainoastaan ulkokäyttöön soveltuvaa jatkojohtoa.** Ulkokäyttöön tarkoitettun sähköjohdon käyttäminen vähentää sähköiskun vaaraa.

- Jos sähkötyökalua on välttämättä käytettävä kosteassa paikassa, käytä vikavirtasuojalla (RCD) suojattua virtalähdettä.** Tämä vähentää sähköiskun vaaraa.
- Henkilöturvallisuus**
 - Ole valpas, keskity työhön ja noudata tervettä järkeä sähkötyökalun käytössä.** Älä käytä tätä työkalua ollessasi väsynyt tai alkoholin, huumeiden tai lääkkeiden vaikutuksen alaisena. Keskittymisen herpaantuminen hetkeksikin sähkötyökalua käytettäessä voi aiheuttaa vakavan henkilövahingon.
 - Käytä henkilökohtaisia suojavarusteita.** Käytä aina suojalaseja. Hengityssuojaimen, liukumattomien turvajalkineiden, kypärän ja kuulonsuojaimen käyttäminen vähentää henkilövahinkojen vaaraa.
 - Vältä tahatonta käynnistämistä.** Varmista, että kytkin on OFF-asennossa, ennen kuin liität laitteen virtalähteeseen ja/tai akkuun, nostat laitteen tai kannat sitä. Sähkötyökalun kantaminen sormi virtakytkimellä lisää onnettomuusvaaraa.
 - Irrota mahdollinen säätö- tai kiintoavain ennen kuin käynnistät sähkötyökalun.** Sähkötyökalun pyörivään osaan kiinni jäänyt avain voi johtaa loukkaantumiseen.
 - Älä kurkota.** Huolehdi siitä, että sinulla on koko ajan tukeva jalansija ja hyvä tasapaino. Näin voit hallita sähkötyökalua paremmin odottamattomissa tilanteissa.
 - Käytä tarkoitukseen soveltuvia vaatteita.** Älä käytä löysiä vaatteita tai koruja. Pidä hiukset ja vaatteet loitolla liikkuvista osista. Löysät vaatteet, korut tai pitkät hiukset voivat tarttua liikkuviin osiin.
 - Jos työkalun voi liittää pölynimuriin, tarkista, että liitos on tehty asianmukaisesti ja että laitteita käytetään oikealla tavalla.** Pölyn ottaminen talteen voi vähentää pölyn aiheuttamia vaaroja.
 - Vaikka käyttäisit usein työkaluja ja sinulla olisi niistä hyvä tuntemus, älä jätä lukematta työkalun turvallisuusohjeita.** Huolimattomuus voi johtaa vakaviin henkilövahinkoihin jopa sekunnin murto-osassa.
 - Sähkötyökalujen käyttö ja hoito**
 - Älä ylikuormita sähkötyökalua.** Valitse käyttötarkoituksen kannalta oikea sähkötyökalu. Sähkötyökalu toimii paremmin ja turvallisemmin, kun sitä käytetään sille suunniteltuun käyttötarkoitukseen.
 - Älä käytä sähkötyökalua, jota ei voida käynnistää ja pysäyttää virtakytkimestä.** Jos sähkötyökalua ei voi hallita kytkimen avulla, se on vaarallinen ja se on korjattava.
 - Irrota pistotulppa pistorasiasta ja/tai akku laitteesta ennen kuin suoritat säätöjä, vaihdat tarvikkeita tai siirrä sähkötyökalun varastoitavaksi.** Näin voit

vähentää vahingossa käynnistymisen aiheuttaman henkilövahingon vaaraa.

- d. Säilytä sähkötyökalut poissa lasten ulottuvilta, kun niitä ei käytetä. Älä anna sähkötyökalua sellaisen henkilön käyttöön, joka ei tunne sitä tai joka ei ole tutustunut tähän käyttöohjeeseen. Sähkötyökalut ovat vaarallisia kouluttamattomien käyttäjien käsissä.
- e. Hoida sähkötyökaluasi ja lisävarusteita huolella. Tarkista, että liikkuvat osat toimivat moitteettomasti ja etteivät ne ole puristuksessa. Tarkista myös, ettei työkalussa ei ole murtuneita tai vahingoittuneita osia, jotka saattaisivat vaikuttaa haitallisesti sen toimintaan. Jos havaitset vaurioita, korjauta sähkötyökalu ennen niiden käyttämistä. Huonosti kunnossapidetyt sähkötyökalut aiheuttavat onnettomuuksia.
- f. Pidä leikkausterät terävinä ja puhtaina. Kunnossa pidettyjen leikkaavia teräviä reunoja sisältävien työkalut todennäköisyys jumiutua vähenee, ja niitä on helpompi hallita.
- g. Käytä sähkötyökaluja, tarvikkeita, vaihtoteriä yms. näiden ohjeiden mukaisesti. Ota tällöin huomioon työolosuhteet ja suoritettava toimenpide. Jos sähkötyökalua käytetään näiden ohjeiden vastaisesti, voi syntyä vaaratilanne.
- h. Pidä kahvat ja kädensijat kuivina ja puhtaina öljystä ja rasvasta. Liukkaat kahvat ja rasvaiset kädensijat estävät työkalun turvallisen käsittelyn ja hallinnan odottamattomissa tilanteissa.

5. Huolto

- a. Korjauta sähkötyökalu koulutetulla ja ammattitaitoisella henkilöllä ja hyväksy korjauksiin vain alkuperäisiä varaosia. Tämä varmistaa sähkötyökalun turvallisuuden.

Turvaohjeet kaikille jiirisahoille

- ◆ Jiirisahat on tarkoitettu puun tai puuta muistuttavien materiaalien sahaamiseen, niihin ei saa asentaa hiomalaikkoja rautapitoisten materiaalien (esim. palkit, varret, tapit jne.) sahaamiseen. Hiomisesta syntyvä pöly voi aiheuttaa liikkuvien osien (esim. Alasuojuksen) juuttumisen kiinni. Hiomisesta syntyvät kipinät aiheuttavat alasuojuksen, uurrososan ja muiden muoviosien palamisen.
- ◆ Tue työstökappaletta pidikkeillä aina kun se on mahdollista. Jos työstökappaletta tuetaan käsin, käsi on pidettävä aina vähintään 100 mm:n päässä sahanterän molemmilta puolilta. Tällä sahalla ei saa sahata kappaleita, jotka ovat liian pieniä pidikkeellä tai käsin pitämiseen. Jos käsi asetetaan liian lähelle sahanterää, terän kosketuksesta aiheutuva henkilövahinkojen vaara on suurempi.

- ◆ Työstökappaleen on oltava paikoillaan ja kiinnitetty pidikkeellä tai pidettävä käsillä paikoillaan sekä rajasuojaa että pöytää vasten. Älä syötä työstökappaletta terään tai sahaa vapaasti. Rajoittamattomat tai liikkuvat työstökappaleet voivat singota suurella nopeudella ja aiheuttaa henkilövahinkoja.
- ◆ Työnnä saha työstökappaleen läpi. Älä vedä sahaa työstökappaleen läpi. Sahaa nostamalla sahauspää ja vetämällä se ulos työstökappaleen yli sahaamalla, käynnistämällä moottori, painamalla sahauspää alas ja työntämällä saha työstökappaleen läpi. Jos vedon aikana sahataan, sahanterä siirtyy todennäköisesti työstökappaleen päälle aiheuttaen teräkokoonpanon sinkoamisen voimalla käyttäjään päin.
- ◆ Älä koskaan aseta kättä poikittain leikkauslinjan yli joko sahanterän edessä tai takana. Työstökappaleen tukeminen pitämällä kättä poikittain, ts. pitämällä työstökappaletta sahanterän oikealla puolella vasemmalla kädellä tai päinvastoin, on erittäin vaarallista.
- ◆ Älä kurottele rajasuojan yli pitämällä kättä alle 100 mm:n etäisyydellä sahanterän jommasta kummasta puolesta puujäämien poistamiseksi tai mistään muusta syystä terän pyöriessä. Pyörivän sahanterän läheisyyttä ei välttämättä käsitetä täysin ja vaarana ovat vakavat henkilövahingot.
- ◆ Tarkista työstökappale ennen sahaamista. Jos työstökappale on taittunut tai vääntynyt, kiinnitä se ulompi taittunut puoli rajasuojaa vasten. Varmista, ettei työstökappaleen, rajasuojan ja pöydän väliin jää tilaa leikkauslinjassa. Taittuneet tai vääntyneet työstökappaleet voivat kääntyä tai siirtyä aiheuttaen pyörivän sahanterän kiinni juuttumisen sahaamisen aikana. Työstökappaleessa ei saa olla nauloja tai vieraita esineitä.
- ◆ Saha ei saa käyttää ennen kuin kaikki työkalut, puujäämät jne. on poistettu työstökappaletta lukuun ottamatta. Pienet jäämät tai irtonaiset puukappaleet tai muut esineet voivat singota suurella nopeudella koskettaessa pyörivään terään.
- ◆ Sahaa ainoastaan yksi työstökappale kerrallaan. Useita pinottuja työstökappaleita ei voida kiinnittää tai tukea riittävän hyvin ja ne voivat juuttua terään tai siirtyä sahaamisen aikana.
- ◆ Varmista, että jiirisaha on asennettu tai sijoitettu tasaiselle ja tukevalle alustalle ennen käyttöä. Tasainen ja tukeva alusta pienentää jiirisahan epävakauden vaaraa.
- ◆ Suunnittele työtoimenpiteet. Varmista aina jiiri- tai viistekulman asetuksen säätämisen yhteydessä, että säädettävä rajasuoja on asetettu oikein tukemaan työstökappaletta ja ettei se ole terän tai suojajärjestelmän tiellä. Kun työkalu on pois päältä ja pöydällä ei ole työstökappaletta, siirrä sahanterää

simuloiden koko sahausliikettä varmistaaksesi, että toiminta on virheetöntä ja rajasuojan sahausvaaraa ei ole.

- ◆ **Jos työstökappale on pöytää leveämpi tai pitempi, sitä on tuettava oikeaoppisesti (esim. pöydän jatkeilla, sahapukeilla jne.).** Jiirisahan pöytää pitemmät tai leveämmät työstökappaleet voivat kallistua, jos niitä ei tueta hyvin. Jos sahattu kappale tai työstökappale kallistuu, se voi nostaa alasuojasta tai sinkoutua pyörivän terän seurauksena.
- ◆ **Toinen henkilö ei voi korvata pöydän jatketta tai lisätukea.** Työstökappaleen epävakaata tuki voi aiheuttaa terän kiinni juuttumisen tai työstökappaleen siirtymisen sahaamisen aikana, jolloin saha voi vetää käyttäjän ja avustajan pyörivään terään.
- ◆ **Sahattavaa kappaletta ei saa kiinnittää tai painaa millään tavalla pyörivään sahanterään.** Rajoitettu sahattava kappale (ts. pituusrajoja käyttäessä) voi kiillautua terää vasten ja sinkoutua voimalla.
- ◆ **Käytä aina pyöreän materiaalin (esim. tangot ja putket) tukemiseen suunniteltua pidikettä tai kiinnintää.** Tangot pyörivät helposti sahaamisen aikana, jolloin terä jää kiinni ja vetää työstökappaleen ja käden terään.
- ◆ **Anna terän saavuttaa täysi nopeus ennen kuin se koskettaa työstökappaletta.** Tämä vähentää työstökappaleen sinkoamisen vaaraa.
- ◆ **Jos työstökappale tai terä juuttuu kiinni, kytke jiirisaha pois päältä. Odota, että kaikki liikkuvat osat pysähtyvät ja irrota pistoke virtalähteestä ja/tai irrota akku. Irrota sen jälkeen kiinni juuttuneet materiaalit.** Jos sahaamista jatketaan työstökappaleen ollessa juuttuneena kiinni, seurauksena voi olla hallinnan menetykset tai jiirisahan vaurioituminen.
- ◆ **Vapauta kytkin ja pitele sahauspäättä alhaalla sahaamisen jälkeen, odota että terä pysähtyy ennen sahatun kappaleen poistamista.** Käden asettaminen pyörivän terän lähelle on vaarallista.

Jiirisahojen lisäturvaohteet

- ◆ **Pidä kahvasta tiukasti kiinni osittaista leikkausta suorittaessa tai kun päästät kytkimestä irti ennen kuin sahauspää on kokonaan alhaalla.** Sahauspää voi sahan jarrutuksen seurauksena työntyä yllättäen alaspäin ja aiheuttaa henkilövahinkovaaran.
- ◆ Tarkoitettu käyttö on kuvattu tässä käyttöohjeessa. Käytä työkalua ainoastaan sellaiseen työhön, johon se on tarkoitettu, ja käytä vain tässä käyttöohjeessa suositeltuja tarvikkeita ja lisälaitteita. Ohjeesta poikkeava käyttö voi aiheuttaa henkilö- ja/tai omaisuusvahinkoja.
- ◆ Älä käytä murtuneita, taipuneita, voittuneita tai vääntyneitä sahanteräitä.
- ◆ Vaihda kulunut uurroslevy.
- ◆ Älä käytä teriä, joiden halkaisija on suosituksia suurempi tai pienempi. Katso terän sopivat typpiärvot teknisistä

tiedoista. Käytä vain ohjekirjassa ilmoitettuja teriä EN 847-1-standardin mukaisesti.

- ◆ Älä käytä pikateräs (HSS) -sahanteräitä.



Varoitus! Sahauksesta syntyvä pöly voi aiheuttaa terveyshaittoja käyttäjälle ja mahdollisille sivullisille. Käytä kasvosuojusta, joka on erityisesti tarkoitettu suojaamaan pölyltä ja höyryiltä, ja varmista, että kaikki työskentelyalueella olevat ja sinne tulevat henkilöt käyttävät suojavarusteita.

- ◆ Älä työstä materiaalia, joka sisältää asbestia. Asbesti on syöpää aiheuttava aine.
- ◆ Käytä hansikkaita, kun käsittelet sahanteräitä ja karkeaa materiaalia (sahanterä tulisi kantaa pidikkeessä, aina kun se on mahdollista).
- ◆ Käytä kuulonsuojaimia kuulon vahingoittumisen estämiseksi.
- ◆ Harkitse erityisesti melun vähentämiseen suunniteltujen terien käyttöä.
- ◆ Käytä suojalaseja henkilövahinkovaaran välttämiseksi.
- ◆ Käytä mukana toimitettavaa pölypussia sahatessasi puuta.
- ◆ **Jos terä voi osua piilotettuihin sähköjohtoihin tai työkalun omaan sähköjohtoon, tartu työkalun eristettyihin tarttumapintoihin.** Terien osuminen jännitteeseen johtoon tekee sen paljaista metalliosista jännitteisiä, joten käyttäjä voi saada sähköiskun.
- ◆ Valitse oikea terä leikattavalle materiaalille.
- ◆ Älä käytä konetta, jos suojuus ei ole paikoillaan. Älä käytä konetta, jos suojuus ei toimi tai jos sitä ei ole huollettu oikein.
- ◆ Varmista, että varsi on kiinnitetty kunnolla, ennen kuin suoritat viistoleikkauksia.
- ◆ Ennen sahaamista tulee varmista, että kone on vakaa.
- ◆ Kahvojen tulee olla kuivat, puhtaat ja rasvattomat.
- ◆ Pidä konetta ympäröivä alue siistinä ja puhtaana irtoneisestä materiaalista, kuten lastuista ja hukkapaloista.
- ◆ Varmista, että kone ja työskentelyalue on varustettu riittävällä yleis- tai kohdevalolla.
- ◆ Älä anna kuuluttamattomien henkilöiden käyttää tätä konetta.
- ◆ Varmista aina ennen käyttöä, että terä on kiinnitetty oikein. Varmista, että terä pyörii oikeaan suuntaan. Pidä terä terävänä. Noudata voitelusta ja osien vaihdosta annettuja ohjeita.
- ◆ Varmista, että sahanteräin merkitty nopeus on vähintään yhtä suuri kuin sahan merkitty nopeus.
- ◆ Varmista, että käytetyt välikappaleet ja karan renkaat sopivat BLACK+DECKERin määrittämään tarkoitukseen.
- ◆ Leikkauslinjan ohjausjärjestelmää saa korjata vain valtuutettu huoltoedustaja tai BLACK+DECKER-huoltohenkilöstö.

- ◆ Irrota kone sähköverkosta ennen huoltotoimenpiteitä tai terän vaihtamista.
- ◆ Älä koskaan suorita puhdistusta, huoltoa tai hukkapalojen tai muiden työstökappaleen palojen irrottamista leikkausalueelta, kun kone on käynnissä eikä sahauspää ole lepoasennossa.
- ◆ Asenna kone aina mahdollisuuksien mukaan penkkiin.
- ◆ Varmista aina ennen käytön aloittamista, että kaikki lukitusnupit ja kahvat ovat tiukat.
- ◆ Älä koskaan käytä sahaa ilman pöytäupotetta.
- ◆ Älä koskaan yritä pysäyttää nopeassa liikkeessä olevaa konetta työkalulla tai muulla välineellä terää painamalla; tämä voi aiheuttaa vakavia onnettomuuksia.
- ◆ Lue käyttöopas huolellisesti ennen lisälaitteiden asennusta tai käyttöä. Lisävarusteen virheellinen käyttö voi aiheuttaa vahinkoja.
- ◆ Nosta terä työstökappaleen pöytäupotteesta, ennen kuin vapautat virtakytkimen.
- ◆ Älä kiilaa mitään tuuletinta vasten moottorin akselin tukemiseksi.
- ◆ Sahan teräsuojus nousee automaattisesti, kun varsi lasketaan alas, ja se laskeutuu terän päälle, kun vartta nostetaan. Suojus voidaan nostaa käsin, kun sahanteriä asennetaan tai poistetaan tai sahaa halutaan tutkia. Älä koskaan nosta teränsuojusta käsin, jollei kone ole kytketty pois päältä.
- ◆ Tarkista säännöllisesti, että moottorin ilmanvaihtoaukot ovat puhtaat ja lastuttomat.
- ◆ Älä koskaan tee sähkötyökalun varoitusmerkkejä lukukelvottomiksi.
- ◆ Älä koskaan seiso sähkötyökalun päällä. Käyttäjä voi saada vakavia vammoja, jos sähkötyökalu kaatuu, tai jos hän joutuu kosketuksiin sahanterän kanssa.
- ◆ Älä kosketa sahanteriä työskentelyn jälkeen ennen kuin se on jäähtynyt. Sahanterästä tulee erittäin kuuma työstön aikana.
- ◆ Vältä sinkoilevista materiaaleista johtuvat vammat irrottamalla saha verkkovirrasta. Siten estät tahattoman käynnistymisen. Poista irtokappaleet sen jälkeen.
- ◆ Teränsuojus on tarkistettava aina ennen käyttöä ja aina huollon jälkeen oikean toiminnan varmistamiseksi. Tämä tarkistus on suoritettava sahan ollessa kytkettynä pois päältä ja irrotettuna virtalähteestä. Vartta on kohotettava ja laskettava, jotta varmistetaan, että suojus peittää terän eikä terä kosketa suojusta. Jos suojus ei toimi oikein, korjauta sähkötyökalu ammattitaitoisella huoltoedustajalla. Selvitä lähin huoltoedustaja soittamalla BLACK+DECKERin asiakaspalveluun.
- ◆ **Tämä jiirisaha on suunniteltu vain puun, muovin ja ei-rautapitoisen metallin sahaamiseen.** Älä käytä sahaa leikkaamaan muita materiaaleja kuin valmistajan suosittelemia.

- ◆ Älä kosketa sahanteriä työskentelyn jälkeen ennen kuin se on jäähtynyt. Sahanterästä tulee erittäin kuuma työstön aikana.



Varoitus! Muovin, pihkan peittämän puun ja muiden materiaalien leikkaaminen voi aiheuttaa sulaneiden materiaalien kerääntymisen terän kärkiin ja sahanterän runkoon, mikä voi lisätä terän ylikuumentumisen ja jumiutumisen riskiä leikattaessa.

Jäännösriskit

Seuraavat riskit liittyvät sahojen käyttöön: Tiettyjä jäännösriskejä ei voi välttää, vaikka noudatetaan kaikkia turvamääräyksiä ja käytetään turvalaitteita. Näitä ovat:

- ◆ Pyörivien tai liikkuvien osien koskettamisen aiheuttamat vahingot.
- ◆ Kuulon heikkeneminen.
- ◆ Onnettomuusriski, joka aiheutuu pyörivän sahanterän peittämättömistä osista.
- ◆ Loukkaantumisen riski osia, teriä tai lisävarusteita vaihdettaessa.
- ◆ Sormien puristumisen riski suojuksia vaihdettaessa.
- ◆ Terveysriskit, jotka aiheutuvat pölyn hengittämisestä sahattaessa puuta, erityisesti tammea, pyökkiä ja MDF-levyä.
- ◆ Työkalun pitkäaikaisen käytön aiheuttamat vahingot. Varmista, että pidät säännöllisesti taukoja laitteen pitkäaikaisen käytön aikana.

Melu

Ilmoitetut äänipäästöarvot on mitattu standardin testausmenetelmän mukaisesti, ja niiden avulla voidaan vertailla työkaluja keskenään.

Ilmoitettuja äänipäästöarvoja voidaan käyttää myös altistumisen alustavaan arviointiin.

Varoitus! Sähkötyökalun käytön aikana mitatut todellinen äänipäästöarvo voi poiketa ilmoitetuista arvoista työkalun käyttötavan ja erityisesti työstettävän kappaleen mukaan.

Varoitus! Käytä aina asianmukaisia kuulonsuojaimia.

Joissakin olosuhteissa ja käytön kestäessä tietyn aikaa tämä tuote voi vaikuttaa kuulon heikentymiseen. Huomioi seuraavat tekijät, jotka vaikuttavat melulle altistumiseen:

- ◆ Käytä sahanteriä, jotka on suunniteltu vähentämään melua.
- ◆ Käytä vain hyvin teroitettuja sahanteriä.
- ◆ Käytä erityisiä äänitasoa alentavia sahanteriä.

Työkalun tarrat

Työkalussa on seuraavat merkit sekä päivämääräkoodi:



Varoitus! Käyttäjän on luettava käyttöohje vahinkojen välttämiseksi.



Käytä suojalaseja.



Käytä kuulonsuojaimia.



Käytä pölysuojainta



Tätä tuotetta ei ole tarkoitettu alle 16-vuotiaiden lasten



Pidä kädet poissa terän ulottuvilta.



Ei käsiä -vyöhyke – pidä sormet ja kädet poissa pyöriviltä



Käytä hansikkaita käsitellessäsi sahanteriä



Älä katso suoraan toiminnassa olevaan lamppuun



Älä altista vesisateelle.



Irrota laite sähköverkosta, jos johto on vaurioitunut tai sotkeutunut.

Sähköturvallisuus



Tämä laite on kaksoiseristetty, joten erillistä maadoitusta ei tarvita. Tarkista aina, että verkkovirran jännite vastaa tyyppikilpeen merkittyä jännitettä.

- Jos virtajohto vahingoittuu, sen vaihtaminen on turvallisuussyistä jätettävä valmistajan tai valtuutetun BLACK+DECKER-huollon tehtäväksi.

Jännitteen aleneminen

Käynnistysvälivirta aiheuttaa lyhytaikaisen jännitteen alenemisen. Epävakaava virransyöttö voi aiheuttaa häiriötä muihin laitteisiin. Jos virran syötön järjestelmäimpedanssi on pienempi kuin 0,178 Ω, häiriöiden ilmeneminen on epätodennäköistä.

Jatkojohdon käyttäminen

Käytä aina oikeanlaista jatkojohtoa, joka sopii tämän laitteen virransyöttöliitäntään (katso kohta Tekniset tiedot). Tarkista jatkojohdon kunto ennen sen käyttämistä. Vahingoittunut tai viallinen kaapeli on vaihdettava. Jos käytät johtokelaa, kelaa johto aina kokonaan auki. Sellaisen jatkojohdon käyttö, joka ei

vastaa laitteen syöttötehoa tai joka on viallinen, voi aiheuttaa tulipalon tai sähköiskun.

Yleiskuvaus

Tässä laitteessa on joitakin tai kaikki seuraavista ominaisuuksista.

1. Liukupalkit
2. Viisteen lukitusnuppi
3. Tukiteline
4. Työstökappaleen pidike
5. Pöydän kiskon jatke
6. Pulttien reiät
7. Jiirikulman osoitin
8. Pöydän lisäkappale
9. Jiirin lukitusnuppi
10. Pohjalevy
11. Pyörivä pöytä
12. Takaraja
13. Sahanteriä
14. Terän suojus
15. Suojuksen asennuslevy
16. Moottorikotelo
17. Sahauspään lukitustappi
18. Pääkahva
19. Liipaisukytkin
20. Vapautusvipu
21. Leikkauslinjan valon virtakytkin
22. Kantokahva
23. Pölypussi
24. Säädettävä tukijalka
25. Viistekulman osoitin
26. Jiirikulman asteikko
27. Viistekulman asteikko
28. Liukupalkin lukitusruuvi
29. Leikkausvyöyden ruuvi
30. Terän vaihtoväline
31. Karalukko
32. Jiirin lukituksen vapautin
33. Kiskon jatkeen lukitusruuvi
34. Pidikkeen lukitusruuvi
35. Liukuesteen lukitusruuvi
36. Kaapelinpidike

Asennus

Jiirisaha toimitetaan osittain koottuna.

- Avaa pakkaus ja nosta saha pakkauksesta.
- Aseta saha tasaiselle ja sileälle alustalle (esim. työpöytä tai tukeva pöytä).
- Tutustu sahaan ja sen osiin tämän ohjekirjan sivulla 2 olevan asennuskaavion avulla. Säätöjä koskeva osio viittaa kyseisiin termeihin, joten osien nimet ja sijainnit tulee tietää.

- ◆ Työkalu toimitetaan kahva lukittuna ala-asentoon sahauspään lukitustapin (17) avulla. Vedä sahauspään lukitustapista (17) ja kierrä sitä 90° joko myötä- tai vastapäivään kuvan A mukaisesti.
- ◆ Jiirin lukitusnuppia (9) ei ole asennettu tuotteeseen toimituksen yhteydessä. Poista jiirin lukitusnuppi (9) pakkauksesta ja ruuvaa se sahaan (katso sijainti kuvasta B).

Pöydän kiskon jatke (kuvat C ja D)

Jiirisaha sisältää 2 pöydän kiskon jatketta (5) pitkien työstökappaleiden tukemista varten.

- ◆ Vedä pöydän kiskon jatke (5) oikeaan pituuteen niin, että työstökappale on kuvan C mukaisesti.
- ◆ Lukitse asento kiristämällä kiskon jatkeen lukitusruuvi (33) kuvan D mukaisesti.
- ◆ Toista toimenpide vastakkaisella puolella.

Tukiteline - vain BES710 (kuva E)

Jiirisahan BES710 takaosassa on yksi tukiteline (3) parempaa vakautta varten.

Kiinnitys penkkiin (kuva F)

Jiirisaha voidaan kiinnittää neljällä pultilla (6a) (eivät kuulu pakkaukseen) tasaiselle ja vakaalle pinnalle työkalun jalustassa olevien pulttien reikiin (6) avulla. Tämä estää työkalun kallistumisen ja mahdolliset henkilövahingot.

Pölyn kerääminen (kuva G)

Pölypussin (23) ansiosta sahaus on siistiä ja pölynkeräys helppoa.

- ◆ Kiinnitä pölypussi (23) pölysuulakkeeseen (23a).
- ◆ Kun pölypussi (23) on noin puoliksi täysi, poista se työkalusta.
- ◆ Tyhjennä pölypussi napauttamalla sitä kevyesti, jotta sen sisällä olevat pölyhiukkaset irtoaisivat.

Huomautus: Tehokkaampi ja puhtaampi työskentelyä on mahdollista liittäämällä sahaan työpajan imuri.

Työstökappaleen pidikkeen asentaminen (kuva H)

- ◆ Aseta pidike (4) rajasuojan takana olevaan reikään (4c). Pidikkeen on oltava jiirisahan takaosaan päin. Pidikkeen tangossa oleva ura tulee asettaa kokonaan pohjaan. Varmista, että ura on asetettu kokonaan jiirisahan pohjaan. Jos ura on näkyvässä, pidike ei ole tiukasti kiinni.
- ◆ Kierrä pidikettä 180° jiirisahan etuosaan päin.
- ◆ Löysää nuppia (4b) pidikkeen säätämiseksi ylös- tai alaspäin ja kiinnitä työstökappale tiukasti säätämällä hienosäädön nuppia (4a).

Huomautus: Aseta pidike vastakkaiselle puolelle pohjaa viisteen saavuttamiseksi. SUORITA AINA KUIVIA AJOJA (ILMAN VIRTAA) ENNEN SAHAUKSEN VIIMEISTELYÄ, JOTTA VOIT TARKISTAA TERÄN REITIN.

VARMISTA, ETTEI PIDIKE OL SAHAN TAI SUOJEN TIELLÄ.

Uuden sahanterän vaihtaminen tai asentaminen (kuvat I, J, K)

Varoitus! Vakavan henkilövahinkovaaran välttämiseksi tulee työkalu kytkeä pois päältä ja irrottaa virtalähteestä ennen kuin sitä siirretään, lisävarusteita vaihdetaan tai säätöjä suoritetaan.

Varoitus! Älä koskaan paina karan lukituspainiketta (31), kun terässä on virta tai kun terä on liikkeessä.

Varoitus! Älä leikkaa rautametallia (sisältää rautaa tai terästä) tai muurattuja rakenteita tai kuitusementtituotteita tällä kulmasahalla.

Terän poistaminen

- ◆ Irrota saha virtalähteestä.
- ◆ Nosta varsi yläasentoon ja paina suojuus (14) niin ylös kuin mahdollista.
- ◆ Löysää suojuksen kannattimen ruuvia (13c) sitä kuitenkin irrottamatta, kunnes kannatina voidaan nostaa riittävästi terän ruuviin (13a) pääsemiseksi. Alasuojus jää yläasentoon suojuksen kannattimen ruuvin sijainnin vuoksi kuvan I mukaisesti.
- ◆ Paina karan lukituspainiketta (31) ja kierrä samalla varoen sahanterää käsin, kunnes lukko kytkeytyy päälle kuvan J mukaisesti.
- ◆ Pidä painike alhaalla ja löysää terän ruuvia (13a) toisella kädellä terän vaihtovalinettä (30) käyttämällä. (Kierrä myötäpäivään, vasemmat kiertee).
- ◆ Irrota terän ruuvi (13a), ulkoinen pidikkeen aluslevy (13d), terä (13) ja mahdollinen terän sovitin (13e). Sisemmän pidikkeen aluslaatta (13f) voi olla vasemmalla karassa.

Terän asentaminen

- ◆ Irrota saha virtalähteestä.
- ◆ Kun varsi on ylhäällä ja suojuus pidetään auki ja suojujan kannatin on ylhäällä, aseta terä karaan, terän sovittimeen ja sisempää terän pidikettä vasten niin, että terän alareunan hampaat osoittavat sahan takaosaan.
- ◆ Asenna ulkoinen pidikkeen aluslaatta karaan.
- ◆ Asenna terän ruuvi ja kiristä ruuvi hyvin kytkemällä karan lukko ja käyttämällä pakkauksen avainta (käännä vastapäivään, vasemmat kiertee).

Jiirikulman säätäminen (kuva L)

- ◆ Löysää kahvaa (9) kääntämällä sitä vastapäivään.
- ◆ Siirrä pyörivä pöytä (11) jiirin lukituksen vapauttimen (32) avulla asentoon, jossa kohdistin (7) osoittaa haluamaasi kulmaa jiiristeikolla (26), kiristä kahva myötäpäivään kiertämällä.
- ◆ Säädettävä tukijalka (24) auttaa säilyttämään työkalun tasapainon. Jiirikulman säätämisen jälkeen jalustassa olevaa nuppia tulee aina kiertää myötä- tai vastapäivään,

kunnes sen alaosa koskettaa maahan. Olemassa on kaksi asentoa työpenkin syvyydestä riippuen.

Leikkusyvyyvyys

Uraa leikatessa leikkusyvyyvyys voidaan asettaa leikkusyvyyden ruuvilla (29) tai terällä.

- ◆ Kierrä leikkusyvyyden ruuvia (29) ja lukitse vastamutterilla.

Rajasuojan säätäminen

Varmista ennen viistesahausta, ettei mikään työkalun osa kosketa rajasuojaa (12) kahvaa laskiessa ja nostaessa johonkin asentoon ja alustaa vetäessä tai painaessa alimpaan asentoon. Varmista ennen työkalun käyttämistä, että liukueste on hyvin lukittu liukuesteen lukitusruuvilla (35).

Varoitus! Liu'uta liukueste vasemmalle ja lukitse se paikoilleen viistoleikkauksia suorittaessa. Muutoin se koskettaa terää tai jotakin työkalun osaa aiheuttaen henkilövahinkovaaran.

Tässä työkalussa on liukueste, jonka normaali asento on keskellä. Se tulee kuitenkin asettaa vasemmalle, jos työkalun pää koskettaa sitä vasemmanpuoleisia viistoleikkauksia suorittaessa. Kun viistoleikkaukset on suoritettu, liukueste tulee palauttaa lähtöasentoon ja kiinnittää hyvin kiristämällä liukuesteen lukitusruuvi (35).

Viistekulman säätäminen (kuva M)

Löysää työkalun takana olevaa vipua (2) vastapäivään, kun alustaa kallistetaan vasemmalle. Vapauta varsi painamalla kahvaa kohtalaisen voimakkaasti yhteen suuntaan.

- ◆ Kallista sahanterää, kunnes kohdistin (25) osoittaa haluamaasi kulmaan viistoasteikolla (27).
- ◆ Kiristä vipua (2) myötäpäivään varren lukitsemiseksi.

Varoitus! Nosta kahva kokonaan sahanterää kallistaessa.

Lukitse varsi aina viistekulman säätämisen jälkeen kiertämällä vipua myötäpäivään.

Varoitus! Huomaa pään paino aina sahanterän kallistamisen yhteydessä ja varo sen kaatumista.

Käynnistäminen (kuva N)

Huomio! Ennen kuin liität työkalun pistorasiaan, tarkista aina, että liipaisukytkin (19) toimii oikein ja palaa OFF-asentoon vapautettaessa.

- ◆ Käynnistä työkalu siirtämällä vapautusvipu (20) oikealle etusormen avulla.
- ◆ Paina liipaisukytkintä (19).
- ◆ Pysäytä työkalu vapauttamalla liipaisukytkin (19).

Varoitus! Älä koskaan käytä työkalua, jos liipaisukytkin ei toimi oikein. Jos liipaisukytkin ei toimi, työkalu on ERITTÄIN VAARALLINEN ja se tulee korjata ennen käyttöä.

Leikkauslinjajärjestelmän käyttäminen (kuva N)

Huomautus: Jiirisaha tulee kytkeä virtalähteeseen.

Leikkauslinjajärjestelmässä on virtakytkin (21).

Leikkauslinjajärjestelmä toimii sahan liipaisukytkimestä erillään.

Valon ei tarvitse välttämättä palaa, kun sahaa käytetään.

Puukappaleen viivamerkintää pitkin sahaaminen:

- ◆ Kytke leikkauslinjajärjestelmä päälle ja vedä käyttökahva (18) alas, jotta sahanterä siirtyy puukappaleen lähelle. Terän varjo tulee näkyviin puukappaleeseen.
- ◆ Kohdista piirretty linja terän varjon reunaan. Jiiriä tai viistekulmia voi olla tarpeen säätää, jotta terä kohdistuisi tarkalleen piirrettyyn linjaan.

Poikkileikkaukset

Poikkileikkaus suoritetaan leikkaamalla puuta puun syyn vastaisesti missä tahansa kulmassa. Suora poikkileikkaus suoritetaan jiirivarsi nolla-asteen kulmassa. Aseta ja lukitse jiirivarsi nolla-asentoon, pidä puukappaletta tiukasti pöytää ja rajasuojaa vasten. Kun kiskon lukitusnuppi on kiristetty, käännä sahaa painamalla liipaisukytkintä (19).

Kun saha saavuttaa täyden nopeuden noin 1 sekunnin kuluessa, laske varsi tasaisesti ja hitaasti puun sahaamiseksi. Anna terän pysähtyä kokonaan ennen varren nostamista. Kun mitoiltaan yli 51 mm x 102 mm työstökappaletta sahataan, käytä ulos-alas-taakse -liikettä kiskon lukitusnupin ollessa löysä. Vedä sahaa ulospäin itseäsi kohti, laske sahan pää alas työstökappaleeseen kohti ja paina hitaasti sahaa taaksepäin sahaustoimenpiteen suorittamiseksi. Älä anna sahanterän päästä kosketuksiin työstökappaleen yläosaan, kun vedät sitä ulospäin. Saha voi siirtyä itseesi päin ja aiheuttaa näin henkilövahinkoja tai vaurioittaa työstökappaletta.

Varoitus! Käytä aina työstökappaleen pidikettä hallinnan säilyttämiseksi ja henkilövahinkovaaran ja työstökappaleen vaurioitumisvaaran välttämiseksi.

Huomautus: Kiskon lukitusnupin on oltava löysällä, jotta saha voi liukua sen kiskoja pitkin.

Jiirin poikkileikkaukset suoritetaan jiirivarren ollessa muussa kuin nollakulmassa. Tämä kulma on usein 45° kulmien toteuttamiseksi, mutta se voidaan asettaa nollasta 47° vasemmalle tai 47° oikealle. Suorita leikkaus yllä kuvatulla tavalla.

Puukappaleen viivamerkintää pitkin sahaaminen edellyttää, että kulma täsmää mahdollisimman tarkasti. Leikkaa puuta hiukan pitemmälle ja mittaa etäisyys viivamerkinnästä leikkauksen reunaan määrittäaksesi jiirikulman säätösuunnan

ja leikkaa uudelleen. Tämä vaatii hiukan harjoittelua, mutta se on yleinen menettelytapa.

Kehon ja käden asento (kuva O1 – O4)

Kehon ja käsien oikeaoppinen asento jiirisahan käytön aikana tekee sahaamisesta helpompaa, tarkempaa ja turvallisempaa. Älä koskaan aseta käsiäsi lähelle leikkausaluetta. Pidä kädet käytön aikana vähintään 152 mm:n päässä terästä. Pidä työstökappaletta tiukasti pöydällä ja ohjaimessa katkaistessasi. Pidä kätesi paikallaan, kunnes kytkin on vapautettu ja terä pysähtynyt kokonaan. SUORITA AINA KUIVIA AJOJA (ILMAN VIRTAA) ENNEN SAHAUKSEN VIIMEISTELYÄ, JOTTA VOIT TARKISTAA TERÄN REITIN. ÄLÄ ASETA KÄISIÄ RISTIIN KUVAN O3 JA O4 MUKAISESTI. Pidä molemmat jalat vakaasti lattialla ja säilytä oikea tasapaino. Kun siirrät jiirisahaa vasemmalle ja oikealle, seuraa sitä ja seiso hiukan sahanterän vieressä. Katso suojuksen rakojen läpi, kun seuraat piirrettyä linjaa.

Viisteiviivin pöydän säätämisen (kuva P)

Kohdista terän viivain pöytään, lukitse varsi ala-asentoon lukitustapilla. Aseta viivain terää vasten ja varmista, ettei viivain ole hampaan päällä. Löysää viisteen lukitusnuppia ja varmista, että varsi on tiukasti 0° viisteen pysäytintä vasten. Kierrä 0° viisteen säätöruuvia 10 mm:n terän avaimella (ei kuulu pakkaukseen) tarpeen mukaan niin, että terä on 0° viistekulmassa pöytään nähden kulmaviivaimella mitattuna.

Valokuvakehyksien, varjolaatikoiden ja muiden nelipuolisten esineiden sahaaminen (kuvat Q1, Q2)

Ymmärtääksesi parhaiten tässä kuvattujen esineiden valmistamisen, suosittelemme kokeilemaan muutamaa helppoa projektia koekappaleiden avulla, kunnes olet perehtynyt sahan käyttöön paremmin. Tämä saha on täydellinen väline kulmien jiirisahaukseen, katso esimerkki kuvasta Q1. Kuvan Q2 kaavio A esittää liitoksen, joka on toteutettu viisteen säädöllä kahden levyn reunaan 45° kulmassa 90° kulman luomiseksi. Tässä liitoksessa jiirisahan varsi lukittiin nolla-asentoon ja viisteen säätöarvoksi lukittiin 45°. Puukappale asetetaan laaja ja litteä puoli pöytää vasten ja kapea reuna rajasuojaa vasten. Leikkaus voidaan suorittaa myös jiirisahaamalla oikea ja vasen puoli laajan pinnan ollessa rajasuojaa vasten.

Verhoilulistojen ja muiden kehyksien sahaus (kuva Q2)

Kohde B kuvassa Q2 osoittaa liitoksen, joka on suoritettu asettamalla jiirin varsi 45° ja sahaamalla kaksi reunaa 90° kulman muodostamiseksi. Vastaavan liitoksen suorittamiseksi viisteen säätö on asetettava nolnaan ja jiirin varsi 45°. Puukappale asetetaan laaja ja litteä puoli pöytää vasten ja kapea reuna rajasuojaa vasten. Kuvat Q1 ja Q2 ovat

ainoastaan nelisivuisia esineitä varten. Koska sivujen määrä muuttuu, muuttuvat myös jiirikulma ja viistekulma.

Alla oleva taulukko sisältää oikeat kulma-asetukset eri muotoja varten.

Sivujen lukumäärä	Jiirikulma tai viistekulma
4	45°
5	36°
6	30°
7	25,7°
8	22,5°
9	20°
10	18°

Kaaviossa oletetaan, että kaikki sivut ovat samanpituisia. Jos jotakin muotoa ei ole taulukossa, käytä seuraavaa kaaviota: 180° jaettuina sivujen lukumäärällä on sama kuin jiirisahan (jos materiaalia leikataan kohtisuorassa) kulma tai viistekulma (jos materiaalia leikataan tasaisella alustalla).

Yhdistetty jiiri- ja viistesahaus (kuva Q3)

Yhdistetyssä sahauskassa käytetään jiirikulmaa ja viistekulmaa samanaikaisesti. Tätä sahaustyyppiä käytetään kehyksien tai laatikoiden sahaamiseen viistoilla sivuilla, katso esimerkiksi kuvasta Q3.

Huomautus: Jos sahauskulma vaihtelee kappalekohtaisesti, tarkista, että viisteen lukitusnuppi ja jiirisajan lukituskahva on kiinnitetty hyvin. Ne on lukittava sen jälkeen, kun viistekulmaa tai jiirikulmaa on muutettu.

Lattialistojen sahaus (kuva R)

Suorat 90°-sahaukset:

Aseta puukappale rajasuojaa vasten ja pitele sitä paikoillaan kuvan R mukaisesti. Käynnistä saha, anna terän saavuttaa täysi nopeus ja laske varsi tasaisesti leikkauksen läpi.

Korkeintaan 70 mm / 90 mm korkean lattialistan sahaaminen kohtisuorassa rajasuojaa vasten

BES700 - 70 mm pituudessa 216 mm

BES710 - 90 mm pituudessa 254 mm

Aseta materiaali kuvan R mukaisesti. Kaikki sahaukset tulee suorittaa listan takaosa rajasuojaa vasten ja alaosa pöytää vasten.

	Sisäkulma	Ulkokulma
Vasen puoli	Jiirikulma vasemmalla 45° Säilytä sahausken vasen puoli	Jiirikulma oikealla 45° Säilytä sahausken vasen puoli

	Sisäkulma	Ulkokulma
Oikea puoli	Jiirikulma oikealla 45° Säilytä sahausken oikea puoli	Jiirikulma vasemmalla 45° Säilytä sahausken oikea puoli

Viisteasetus	Leikkaustyyppi
33,9°	OIKEA PUOLI, ULKOKULMA: 1. Päälylistan yläosa rajasuojaa vasten 2. Jiirisahan pöytä oikealla 31,6° 3. Säilytä sahausken oikea pää

Korkeintaan 70 mm / 90 mm materiaalia voidaan sahata yllä mainitulla tavalla.

BES700 - 70 mm pituudessa 216 mm

BES710 - 90 mm pituudessa 254 mm

Päälylistojen sahaaminen

Jotta lista sopisi oikein, päälylistat tulee jiirisahata erittäin tarkasti sahausyhdistelmää käyttämällä. Päälylistojen kaksi tasapintaa ovat kulmissa, joiden kokonaissumma on tarkalleen 90°. Useimmissa (ei kuitenkaan kaikissa) päälylistoissa on 52° ylempi takakulma (osio, joka on tasaisesti kattoa vasten) sekä 38° alempi takakulma (osio, joka on tasaisesti seinää vasten). Jiirisahassa on erityiset esiasetetut jiirin syvennykset 31,6° vasemmalla ja oikealla päälylistojen sahaamiseksi oikeassa kulmassa. Viistoasteikolla on myös merkki arvossa 33,9°. Viisteasetuksen/leikkaustyyppin taulukko sisältää oikeat asetukset päälylistojen sahauskeeseen. (Jiirin ja viisteasetukset ovat erittäin tarkkoja ja niiden tarkka asettaminen sahaan ei ole helppoa). Koska useimmissa huoneissa ei ole tarkalleen 90° kulmia, asetuksien hienosäätö on joka tapauksessa tarpeen.

Ohjeet päälylistojen sahaamiseen tasaisella alustalla ja yhdistelmätoimintoja käyttäen

- ◆ Aseta päälylista leveä takapinta alaspäin tasaisesti sahauspöydälle (kuva S1).
- ◆ Alla olevat asetukset soveltuvat kaikkiin vakiomallisiin päälylistoihin, joissa on 52° ja 38° kulmat.

Viisteasetus	Leikkaustyyppi
33,9°	VASEN PUOLI, SISÄKULMA: 1. Päälylistan yläosa rajasuojaa vasten 2. Jiirisahan pöytä oikealla 31,6° 3. Säilytä sahausken vasen pää
33,9°	OIKEA PUOLI, SISÄKULMA: 1. Päälylistan alaosa rajasuojaa vasten 2. Jiirisahan pöytä vasemmalla 31,6° 3. Säilytä sahausken vasen pää
33,9°	VASEN PUOLI, ULKOKULMA: 1. Päälylistan alaosa rajasuojaa vasten 2. Jiirisahan pöytä vasemmalla 31,6° 3. Säilytä sahausken oikea pää

Huomautus: Kun viiste- ja jiirikulmia asetetaan kaikkiin yhdistettyihin jiiri- ja viistesahauksiin, huomaa, että päälylistojen annetut kulmat ovat erittäin tarkkoja ja niiden tarkka asettaminen on vaikeaa. Koska ne voivat helposti siirtyä hiukan ja vain harvoin huoneissa on tarkalleen suorakulmaiset nurkat, kaikkia asetuksia kannattaa kokeilla ensin koekappaleeseen.

Vaihtoehtoinen tapa sahata päälylistoja

Aseta päälylista kulmaan rajasuojan (12) ja sahauspöydän (11) väliin niin, että päälylistan yläpuoli on pöydässä ja alapuoli rajasuojassa kuvan S2 mukaisesti. Tämän menetelmän käyttäminen päälylistojen sahaamiseen ei vaadi viistoleikkauksia. Jiirikulmaa voidaan muuttaa minuuteilla ilman, että se vaikuttaisi viistekulmaan. Kun muita kuin 90° kulmia esiintyy, saha voidaan säätää niihin nopeasti ja helposti.

Ohjeet sellaisten päälylistojen sahauskeeseen, jossa kulmat ovat rajasuojan ja sahan pohjan välissä kaikissa sahauskuksissa

Tällä sahalla voidaan sahata jopa 14 mm x 92 mm sisäkkäisiä päälylistoja.

- ◆ Aseta lista kulmaan niin, että sen alaosa (asennuksessa seinää vasten asetettava osa) on rajasuojaa (12) vasten ja listan yläosa on sahauspöytää (11) vasten kuvan S2 mukaisesti.
- ◆ Listan takaosassa olevien kulmittaisten "tasaisien osien" on oltava tiukasti rajasuojaa ja sahauspöytää vasten.

	Sisäkulma	Ulkokulma
Vasen puoli	Jiirikulma oikealla 45° Säilytä sahausken oikea puoli	Jiirikulma vasemmalla 45° Säilytä sahausken oikea puoli
Oikea puoli	Jiirikulma vasemmalla 45° Säilytä sahausken vasen puoli	Jiirikulma oikealla 45° Säilytä sahausken vasen puoli

Erityiset sahaustoimenpiteet

Älä koskaan aloita sahausta, ellei materiaalia ole kiinnitetty hyvin pöytään ja rajasuojaa vasten.

Taipuneet materiaalit (kuvat T1, T2)

Kun sahaat taipunutta materiaalia, aseta se aina kuvan T1 mukaisesti, älä koskaan aseta sitä kuten kuvassa T2. Jos materiaali asetetaan virheellisesti, se puristaa terää leikkauksen loppuosassa.

Pyöreän materiaalin leikkaaminen

Pyöreä materiaali tulee kiinnittää tai sitä tulee pitää hyvin paikoillaan rajasuojaa vasten sen pyörimisen estämiseksi. Tämä on erityisen tärkeää kulmikkaita sahaustöimenpiteitä suorittaessa.

Suuren materiaalien sahaaminen (kuva U)

Joskus sahattava puukappale voi olla liian suuri alasuojuksen alle. Poista puun päällä oleva suojus sammuttamalla saha ja pitämällä oikeaa kättä käyttökahvassa, aseta oikea peukalo suojan yläosan ulkopuolelle ja vieritä suojaa ylöspäin juuri riittävästi niin, että se irtoaa puusta kuvan U mukaisesti. Vapauta suoja ennen moottorin käynnistämistä. Suojamekanismi toimii oikein sahaamisen aikana. Suorita tämä ainoastaan tarvittaessa. ÄLÄ KOSKAAN SIDO, TEIPPAA TAI PIDÄ MUULLA TAVALLA SUOJUSTA AUKKI SAHAN KÄYTÖN AIKANA.

Varoitus! Varmista aina, että työkalu on kytketty pois päältä ja työkalu on irrotettu sähköverkosta ennen työkalun toiminnan säätämistä tai tarkistamista.

Käytön jälkeen

- ◆ Poista lastut ja pöly käytön jälkeen työkalusta pyyhkimällä se liinalla tai vastaavalla.
- ◆ Pidä suojus puhtaana edellisen osion ohjeiden mukaisesti.
- ◆ Voitele liukuvat osat koneöljyllä ruostumisen estämiseksi.
- ◆ Aseta työkalu säilöön vetämällä alusta kokonaan itseesi päin.

Työkalun kuljettaminen

- ◆ Varmista, että työkalu on irrotettu sähköverkosta.
- ◆ Lukitse terä 0° viistekulmaan ja käännä alusta kokonaan oikeaan viistekulmaan liukupalkin lukitusruuvilla (28).
- ◆ Lukitse liukupalkit, kun olet vetänyt alustan kokonaan itseesi päin.
- ◆ Laske kahva kokonaan ja lukitse se paikoilleen painamalla sahauspään lukitustappia (17).
- ◆ Kuljeta työkalua sen kantokahvasta (22).
- ◆ Työkalun kuljettaminen on helpompaa, kun poistat pidikkeen, pölypussin jne.
- ◆ Kuljeta työkalua pitämällä yhtä kättä kantokahvassa (22) ja toista kättä työkalun jalustassa.

Huomio! Kiinnitä aina kaikki liukuvat osat paikoilleen ennen työkalun kuljettamista. Sahauspään lukitustappi (17) on tarkoitettu ainoastaan kuljettamiseen ja säilyttämiseen, sitä ei saa käyttää sahausajan aikana.

Vianetsintä

Ongelma	Mahdollinen syy	Ratkaisu
Moottori ei käynnisty	Sahaa ei ole liitetty sähköverkkoon.	Tarkista, että kaikki johdot on liitetty.
Epätarkka leikkaukset	Jiirisahan pöytää ei ole lukittu.	Käytä jiirisahan pöydän lukitusvipua (ks. osio "Jiirikulman säätäminen").
	Liikaa sahanpurua pöydän alla.	Imuroi tai puhalla pöly pois. Käytä suojalaseja.
Leikkauksivarsi ei nouse kokonaan tai terän suojusta ei voida sulkea kokonaan	Viallisia osia.	Ota yhteyttä huoltoilikeeseen.
	Ohjauksusta ei ole asennettu oikein paikoilleen huollon jälkeen.	Ota yhteyttä huoltoilikeeseen.
	Sahanpurujen kertymät.	Puhdista ja voitele liukuvat osat.
Terä juuttuu kiinni, jää puristuksiin tai heiluu	Sahauspään lukitustappia ei ole asetettu oikein.	Tarkista, säädä ja aseta sahauspään lukitustappi oikein.
	Vaurioitunut sahanterä.	Vaihda terä.
	Tylysä terä.	Vaihda tai teroita terä.
	Vääränlainen terä.	Vaihda terä.
Saha tärisee tai heiluu	Vääntynyt terä.	Vaihda terä.
	Vaurioitunut sahanterä.	Vaihda terä.
	Löysä sahanterä.	Kiristä karan pultti.
	Saha ei ole kiinnitetty oikein.	Kiinnitä saha penkkiin, telimeeseen tai pöytään.
Työstökappaletta ei ole tuettu oikein.	Tue tai lukitse työstökappale oikein.	

Ympäristönsuojelu



Toimita tämä laite erillisröykukseen. Tällä symbolilla merkityjä tuotteita ja akkuja ei saa hävittää tavallisen kotitalousjätteen mukana.

Tuotteissa ja akkuissa on materiaaleja, jotka voidaan ottaa talteen tai kierrättää uudelleen käyttöä varten. Kierrätä sähkölaitteet ja akut paikallisten määräyksien mukaan. Lisätietoa on saatavilla osoitteessa www.2helpU.com.

Tekniset tiedot

		BES700 Tyyppi 1	BES710 Tyyppi 1
Jännite	V	230	230
Nopeus	/min	4800	5000
Terän ulkoinen läpimitta	mm	216	254
Reiän halkaisija	mm	30	30
Paino	kg	12,1	14,9
Terän paksuus	mm	1,8	1,8
Terän maks. uurroslevy	mm	2,8	2,8
Jiirisaha (ääriäsennot)	°	+/- 47	+/- 47
Viistosaha (ääriäsennot)	°	47	47
Maks. poikkileikkaukskapasiteetti 90° kulmassa	mm	305	305
Maks. jiirisahauskapasiteetti 45° kulmassa	mm	203	203

		BES700 Tyyppi 1	BES710 Tyyppi 1
Maks. leikkuusyyvyys 90° kulmassa	mm	70	90
Maks. leikkuusyyvyys 45° kulmassa	mm	35	40

BES700 - Äänenpainetaso, määritetty EN 62841 -standardin mukaan:	
L_{pA} (äänenpaine) 97,5 dB(A), epävarmuus (K) 3 dB(A)	
L_{WA} (ääniteho) 108,0 dB(A), epävarmuus (K) 3 dB(A)	

BES710 - Äänenpainetaso, määritetty EN 62841 -standardin mukaan:	
L_{pA} (äänenpaine) 96,0 dB(A), epävarmuus (K) 3 dB(A)	
L_{WA} (ääniteho) 107,5 dB(A), epävarmuus (K) 3 dB(A)	

Edellytyksenä takuun saamiselle on, että vaade täyttää Black & Deckerin ehdot ja että ostaja toimittaa ostotosiitteen jälleenmyyjälle tai valtuutetulle huoltoliikkeelle. Black & Deckerin kahden vuoden takuun ehdot ja lähimmän valtuutetun korjauspalvelun yhteystiedot ovat saatavilla osoitteessa www.2helpu.com tai ottamalla yhteyttä paikalliseen Black & Deckerin toimipisteeseen.

Käy verkkosivuillemme osoitteessa www.blackanddecker.co.uk ja rekisteröi uusi BLACK+DECKER -tuotteesi saadaksesi tietoa uusista tuotteista ja erikoistarjouksista.

EY-vaatimustenmukaisuusvakuutus

KONEDIREKTIIVI



BES700, BES710 Liukuva yhdistelmäjiirisaha

Black & Decker ilmoittaa, että Tekniset tiedot -kohdassa kuvatut tuotteet täyttävät seuraavien direktiivien vaatimukset: EN62841-1:2015, EN62841-3-9:2015+A11:2017

Nämä tuotteet täyttävät myös direktiivien 2006/42/EY, 2014/30/EY ja 2011/65/EY vaatimukset.

Lisätietoja saa ottamalla yhteyden Black & Deckeriin seuraavassa osoitteessa. Tiedot ovat myös käyttöohjeen takakannessa.

Allekirjoittanut vastaa teknisten tietojen kokoamisesta tehden tämän ilmoituksen Black & Deckerin puolesta.

A. P. Smith
Tekninen päällikkö
Black & Decker Europe, 210 Bath Road, Slough,
Berkshire, SL1 3YD
Iso-Britannia
01/03/2019

Takuu

Black & Decker on vakuuttanut tuotteidensa korkeasta laadusta ja tarjoaa kuluttajille 24 kuukauden takuun, joka astuu voimaan ostopäivänä. Takuu on lisäys kuluttajan laillisiin oikeuksiin eikä vaikuta niihin. Tämä takuu on voimassa kaikissa EU- ja ETA-maissa.

Προβλεπόμενη χρήση

Το συρόμενο σύνθετο φαλτσοπρίνο BLACK+DECKER BES700, BES710 είναι σχεδιασμένο μόνο για την κοπή ξύλου, πλαστικών και μη σιδηρούχων μετάλλων. Αυτό το εργαλείο προορίζεται για μη επαγγελματική χρήση.

Οδηγίες ασφαλείας

Γενικές προειδοποιήσεις ασφαλείας για ηλεκτρικά εργαλεία



Προειδοποίηση! Διαβάστε όλες τις προειδοποιήσεις ασφαλείας, τις οδηγίες, τις απεικονίσεις και τις προδιαγραφές που συνοδεύουν το ηλεκτρικό εργαλείο.

Η μη τήρηση των παρακάτω προειδοποιήσεων και οδηγιών μπορεί να προκαλέσει ηλεκτροπληξία, πυρκαγιά και/ή σοβαρές σωματικές βλάβες. **Φυλάξτε όλες τις προειδοποιήσεις και τις οδηγίες για μελλοντική αναφορά.** Ο όρος "ηλεκτρικό εργαλείο" που χρησιμοποιείται σε όλες τις παρακάτω προειδοποιήσεις, αναφέρεται είτε σε εργαλείο που λειτουργεί με ρεύμα δικτύου (ρεύματος - με καλώδιο) είτε σε εργαλείο που λειτουργεί με μπαταρία (μπαταρίας - χωρίς καλώδιο).

1. Ασφάλεια χώρου εργασίας

- α. Διατηρείτε το χώρο εργασίας καθαρό και καλά φωτισμένο.** Οι ατακτοποιήτοι ή σκοτεινοί χώροι γίνονται αιτίες ατυχημάτων.
- β. Μη χρησιμοποιείτε ηλεκτρικά εργαλεία σε περιβάλλον όπου υπάρχει κίνδυνος έκρηξης, όπως με παρουσία εύφλεκτων υγρών, αερίων ή σκόνης.** Τα ηλεκτρικά εργαλεία παράγουν σπινθήρες που μπορεί να προκαλέσουν ανάφλεξη της σκόνης ή των αναθυμιάσεων.
- γ. Όταν χρησιμοποιείτε ηλεκτρικό εργαλείο, κρατάτε μακριά τα παιδιά και άλλα άτομα.** Παράγοντες που αποσπούν την προσοχή μπορεί να σας κάνουν να χάσετε τον έλεγχο.

2. Ασφαλής χρήση ηλεκτρικού ρεύματος

- α. Τα φως των ηλεκτρικών εργαλείων πρέπει να ταιριάζουν στην πρίζα. Σε καμία περίπτωση μην τροποποιήσετε το φως, με κανένα τρόπο. Μη χρησιμοποιείτε φως προσαρμογής με γειωμένα ηλεκτρικά εργαλεία.** Τα φως που δεν έχουν υποστεί τροποποιήσεις και οι κατάλληλες πρίζες μειώνουν τον κίνδυνο ηλεκτροπληξίας.
- β. Αποφεύγετε την επαφή του σώματός σας με γειωμένες επιφάνειες, όπως σωλήνες, καλοριφέρ, κουζίνες και ψυγεία.** Υπάρχει αυξημένος κίνδυνος ηλεκτροπληξίας αν το σώμα σας είναι γειωμένο.
- γ. Μην εκθέτετε τα ηλεκτρικά εργαλεία σε βροχή ή υγρασία.** Η διείσδυση νερού σε ένα ηλεκτρικό εργαλείο αυξάνει τον κίνδυνο ηλεκτροπληξίας.

- δ. Μην κακομεταχειρίζεστε το καλώδιο. Ποτέ μη χρησιμοποιήσετε το καλώδιο για να μεταφέρετε, να τραβήξετε ή να αποσυνδέσετε από την πρίζα το ηλεκτρικό εργαλείο. Κρατάτε το καλώδιο μακριά από θερμότητα, λάδια, αιχμηρά άκρα ή κινούμενα μέρη.** Τα καλώδια που έχουν υποστεί ζημιά ή είναι μπερδεμένα αυξάνουν τον κίνδυνο ηλεκτροπληξίας.
- ε. Όταν χρησιμοποιείτε ηλεκτρικό εργαλείο σε εξωτερικούς χώρους, να χρησιμοποιείτε πάντοτε καλώδιο επέκτασης κατάλληλο για εργασία σε εξωτερικούς χώρους.** Η χρήση καλωδίου κατάλληλου για εργασία σε εξωτερικούς χώρους μειώνει τον κίνδυνο ηλεκτροπληξίας.
- στ. Εάν είναι αναπόφευκτη η χρήση ενός ηλεκτρικού εργαλείου σε συνθήκες υγρασίας, χρησιμοποιήστε μια διάταξη προστασίας από ρεύμα διαρροής (RCD).** Η χρήση μιας διάταξης RCD μειώνει τον κίνδυνο ηλεκτροπληξίας.

3. Προσωπική ασφάλεια

- α. Όταν χρησιμοποιείτε ηλεκτρικό εργαλείο, να είστε σε εγρήγορση, να συγκεντρώνετε στην εργασία που κάνετε και να επιστρατεύετε την κοινή λογική. Μη χρησιμοποιείτε ηλεκτρικό εργαλείο όταν είστε κουρασμένος/η ή υπό την επήρεια ναρκωτικών, οινοπνεύματος ή φαρμακευτικής αγωγής.** Μια στιγμή απροσεξίας κατά τη χρήση ηλεκτρικών εργαλείων μπορεί να προκαλέσει σοβαρό τραυματισμό.
- β. Να χρησιμοποιείτε ατομικό εξοπλισμό προστασίας. Πάντα φοράτε προστασία ματιών.** Ο εξοπλισμός προστασίας, όπως μάσκα κατά της σκόνης, αντιολισθητικά παπούτσια ασφαλείας, κράνος ή προστασία ακοής, όταν χρησιμοποιείται για τις κατάλληλες συνθήκες, θα μειώσει τους τραυματισμούς και τις σωματικές βλάβες.
- γ. Αποτρέψτε την ακούσια ενεργοποίηση. Βεβαιωθείτε ότι ο διακόπτης βρίσκεται στη θέση απενεργοποίησης, πριν συνδέσετε το εργαλείο στην πηγή ρεύματος και/ή τοποθετήσετε το πακέτο μπαταρίας, καθώς και πριν πάρετε στα χέρια σας ή μεταφέρετε το εργαλείο.** Η μεταφορά ηλεκτρικών εργαλείων με το δάχτυλο πάνω στο διακόπτη ή η σύνδεση στο ρεύμα ηλεκτρικών εργαλείων με το διακόπτη στη θέση ενεργοποίησης, ενέχει κινδύνους ατυχημάτων.
- δ. Πριν θέσετε το ηλεκτρικό εργαλείο σε λειτουργία, αφαιρέστε τυχόν εργαλεία ή κλειδιά ρύθμισης.** Εάν αφήσετε ένα εργαλείο ή κλειδί πάνω σε κάποιο περιστρεφόμενο εξάρτημα του ηλεκτρικού εργαλείου, μπορεί να προκληθούν τραυματισμοί.
- ε. Μην τεντώνετε υπερβολικά. Διατηρείτε πάντα σταθερή στήριξη στα πόδια σας και καλή ισορροπία.** Έτσι μπορείτε να έχετε καλύτερο έλεγχο του ηλεκτρικού εργαλείου σε μη αναμενόμενες καταστάσεις.

στ. Φοράτε κατάλληλη ενδυμασία εργασίας. Μη φοράτε φαρδιά ρούχα ούτε κοσμήματα. Κρατάτε τα μαλλιά και τα ρούχα σας μακριά από κινούμενα μέρη. Τα φαρδιά ρούχα, τα κοσμήματα και τα μακριά μαλλιά μπορούν να πιαστούν σε κινούμενα μέρη.

ζ. Αν παρέχονται διατάξεις για τη σύνδεση συστημάτων απομάκρυνσης και συλλογής της σκόνης, βεβαιωθείτε ότι αυτές είναι συνδεδεμένες και χρησιμοποιούνται σωστά. Η χρήση διατάξεων συλλογής της σκόνης μπορεί να μειώσει τους κινδύνους που προέρχονται από τη σκόνη.

η. Μην αφήνετε την εξοικείωση που έχετε αποκτήσει από τη συχνή χρήση εργαλείων να σας επιτρέψει να εφησυχάστε ώστε να αγνοείτε τις αρχές ασφαλούς χρήσης των εργαλείων. Μια απρόσεκτη ενέργεια μπορεί να προκαλέσει βαρύ τραυματισμό μέσα σε κλάσματα του δευτερολέπτου.

4. Χρήση και φροντίδα ηλεκτρικών εργαλείων

α. Μην υπερφορτώνετε το ηλεκτρικό εργαλείο.

Χρησιμοποιείτε το σωστό ηλεκτρικό εργαλείο για την εφαρμογή σας. Το σωστό ηλεκτρικό εργαλείο θα εκτελέσει την εργασία καλύτερα και ασφαλέστερα, με την ένταση χρήσης για την οποία σχεδιάστηκε.

β. Μη χρησιμοποιήσετε το ηλεκτρικό εργαλείο αν ο διακόπτης του δεν μπορεί να το ενεργοποιεί και απενεργοποιεί. Ένα ηλεκτρικό εργαλείο του οποίου η λειτουργία δεν μπορεί να ελεγχθεί με το διακόπτη είναι επικίνδυνο και πρέπει να επισκευαστεί.

γ. Αποσυνδέστε το φως από την πηγή ρεύματος και/ή το πακέτο μπαταρίας από το ηλεκτρικό εργαλείο, πριν διεξαγάγετε οποιαδήποτε ρύθμιση, αλλαγή αξεσουάρ ή όταν πρόκειται να αποθηκεύσετε το ηλεκτρικό εργαλείο. Τέτοια προληπτικά μέτρα ασφαλείας μειώνουν το κίνδυνο αθέλητης εκκίνησης του ηλεκτρικού εργαλείου.

δ. Να φυλάσσετε μακριά από παιδιά τα ηλεκτρικά εργαλεία που δεν χρησιμοποιείτε. Μην αφήνετε να χρησιμοποιήσουν ηλεκτρικό εργαλείο άτομα που δεν είναι εξοικειωμένα με αυτό ή άτομα που δεν έχουν διαβάσει αυτές τις οδηγίες χρήσης. Τα ηλεκτρικά εργαλεία είναι επικίνδυνα στα χέρια μη εκπαιδευμένων χρηστών.

ε. Συντηρείτε τα ηλεκτρικά εργαλεία και τα αξεσουάρ. Ελέγχετε για προβλήματα ευθυγράμμισης ή για μάγκωμα των κινούμενων εξαρτημάτων, θραύση εξαρτημάτων, καθώς και για οποιοδήποτε άλλο πρόβλημα μπορεί να επηρεάσει τη λειτουργία των ηλεκτρικών εργαλείων. Αν το ηλεκτρικό εργαλείο έχει υποστεί ζημιά, φροντίστε να επισκευαστεί πριν το χρησιμοποιήσετε. Η ανεπαρκής συντήρηση των ηλεκτρικών εργαλείων αποτελεί αιτία πολλών ατυχημάτων.

στ. Διατηρείτε τα κοπτικά εργαλεία κοφτερά και καθαρά.

Τα κοπτικά εργαλεία με κοφτερές κοπτικές αιχμές που συντηρούνται σωστά έχουν λιγότερες πιθανότητες να μαγκώσουν και ελέγχονται ευκολότερα.

ζ. Να χρησιμοποιείτε το ηλεκτρικό εργαλείο, τα αξεσουάρ και τις μύτες του εργαλείου κλπ. σύμφωνα με τις παρούσες οδηγίες, λαμβάνοντας υπόψη σας τις συνθήκες εργασίας και την εργασία που θέλετε να εκτελέσετε. Η χρήση του ηλεκτρικού εργαλείου για εργασίες διαφορετικές από τις προβλεπόμενες θα μπορούσε να οδηγήσει σε επικίνδυνη κατάσταση.

η. Διατηρείτε τις λαβές και τις επιφάνειες κρατήματος στεγνές, καθαρές και απαλλαγμένες από λάδι και γράσο. Οι ολισθηρές λαβές και οι λαδωμένες επιφάνειες κρατήματος δεν επιτρέπουν τον ασφαλή χειρισμό και έλεγχο του εργαλείου σε μη αναμενόμενες καταστάσεις.

5. Σέρβις

α. Αναθέτετε το σέρβις του ηλεκτρικού σας εργαλείου σε εξειδικευμένο τεχνικό επισκευών που χρησιμοποιεί μόνο γνήσια ανταλλακτικά. Έτσι θα εξασφαλίσετε τη διατήρηση της ασφάλειας του ηλεκτρικού εργαλείου.

Οδηγίες ασφαλείας για φάλτσοπρίονα

◆ Τα φάλτσοπρίονα προορίζονται για κοπή ξύλου ή προϊόντων παρόμοιων με ξύλο και δεν μπορούν να χρησιμοποιηθούν με λειαντικούς τροχούς κοπής για την κοπή σιδηρούχων υλικών όπως σιδερένιου οπλισμού, ράβδων, μπουζονιών κλπ. Η σκόνη από τη λείανση προκαλεί το κόλλημα κινούμενων εξαρτημάτων όπως είναι ο κάτω προφυλακτήρας. Οι σπινθήρες από την κοπή με λείανση θα κάψουν τον κάτω προφυλακτήρα, το ένθετο εντομής κοπής και άλλα πλαστικά εξαρτήματα.

◆ Να χρησιμοποιείτε σφικτήρες για να υποστηρίξετε του αντικείμενου εργασίας, όταν αυτό είναι εφικτό. Αν υποστηρίζετε το αντικείμενο εργασίας με το χέρι, πρέπει να κρατάτε το χέρι σας τουλάχιστον 100 mm από κάθε πλευρά της λεπίδας πριονιού. Μη χρησιμοποιείτε αυτό το πρίονι για να κόψετε τεμάχια που είναι πολύ μικρά για να στερεωθούν ή να κρατηθούν με το χέρι με ασφάλεια. Αν τοποθετήσετε το χέρι σας πολύ κοντά στη λεπίδα πριονιού, υπάρχει αυξημένος κίνδυνος τραυματισμού από την επαφή με τη λεπίδα.

◆ Το αντικείμενο εργασίας πρέπει να είναι ακίνητο και συσφιγμένο ή να συγκρατείται σε σφικτή επαφή τόσο με τον οδηγό όσο και με το τραπέζι. Μην προωθείτε το αντικείμενο εργασίας προς τη λεπίδα ούτε να κόβετε με οποιοδήποτε είδους "ελεύθερη κίνηση με το χέρι". Τα αντικείμενα εργασίας που δεν συγκρατούνται ή που κινούνται θα μπορούσαν να εκπιναχθούν με υψηλή ταχύτητα, προκαλώντας τραυματισμό.

- ◆ **Σπρώχνετε το πριόνι ώστε να διασχίσει το αντικείμενο εργασίας. Μην τραβάτε το πριόνι για να διασχίσει το αντικείμενο εργασίας.** Για να πραγματοποιήσετε μια κοπή, ανυψώστε την κεφαλή πριονιού και τραβήξτε την έξω, πάνω από το αντικείμενο εργασίας χωρίς να κόψετε, θέστε σε λειτουργία το μοτέρ, πιάστε την κεφαλή πριονιού προς τα κάτω και σπρώξτε το πριόνι ώστε να διασχίσει το αντικείμενο εργασίας. Η κοπή κατά την κίνηση έλξης πιθανότατα θα κάνει τη λεπίδα πριονιού να αναρριχηθεί πάνω στο αντικείμενο εργασίας και να εκτινάξει βίαια το συγκρότημα λεπίδας προς το χειριστή.
- ◆ **Ποτέ μη διασταυρώνετε τα χέρια σας πάνω από την επιθυμητή γραμμή κοπής είτε μπροστά είτε πίσω από τη λεπίδα πριονιού.** Η υποστήριξη του αντικείμενου εργασίας με "τα χέρια διασταυρωμένα" δηλ. κρατώντας το αντικείμενο εργασίας προς τα δεξιά της λωρίδας πριονιού με το αριστερό χέρι ή αντίστροφα, είναι πολύ επικίνδυνη πρακτική.
- ◆ **Όσο περιστρέφεται η λεπίδα πριονιού, μην τοποθετείτε κανένα από τα χέρια σας στην περιοχή πίσω από τον οδηγό πιο κοντά από 100 mm από οποιαδήποτε πλευρά της λεπίδας, για εργασίες όπως αφαίρεση υπολειμμάτων ξύλου ή για οποιονδήποτε άλλο λόγο.** Η εγγύτητα της περιστρεφόμενης λεπίδας πριονιού με το χέρι σας μπορεί να μην είναι εμφανής και μπορεί να τραυματιστείτε σοβαρά.
- ◆ **Επιθεωρήστε το αντικείμενο εργασίας πριν την κοπή. Αν το αντικείμενο εργασίας είναι κυρτωμένο ή παραμορφωμένο, συσφίξτε το με την εξωτερική κυρτωμένη πλευρά προς τον οδηγό. Πάντα να βεβαιώνετε ότι δεν υπάρχει διάκενο μεταξύ του αντικείμενου εργασίας, του οδηγού και του τραπεζιού κατά μήκος της γραμμής κοπής.** Τα κυρτωμένα ή παραμορφωμένα αντικείμενα εργασίας μπορεί να περιστραφούν ή να μετακινηθούν προκαλώντας μάγκωμα στην περιστρεφόμενη λεπίδα πριονιού κατά την κοπή. Δεν πρέπει να υπάρχουν καρφιά ή ξένα αντικείμενα στο αντικείμενο εργασίας.
- ◆ **Μη χρησιμοποιήσετε το πριόνι έως ότου το τραπέζι έχει καθαριστεί από όλα τα εργαλεία, υπολείμματα ξύλου κλπ. εκτός από το αντικείμενο εργασίας.** Τα μικρά υπολείμματα ή χαλαρά κομμάτια ξύλου ή άλλα αντικείμενα, αν έρθουν σε επαφή με την περιστρεφόμενη λεπίδα, μπορεί να εκτιναχθούν με υψηλή ταχύτητα.
- ◆ **Κόβετε μόνο ένα αντικείμενο εργασίας τη φορά.** Τα στοιβαγμένα πολλαπλά αντικείμενα εργασίας δεν μπορούν να συσφιχτούν ή να στηριχτούν ικανοποιητικά και μπορεί να μαγκώσουν στη λεπίδα ή να μετακινηθούν κατά τη διάρκεια της κοπής.
- ◆ **Βεβαιωθείτε πριν τη χρήση ότι το φάλτσοπρίονο έχει στερεωθεί ή τοποθετηθεί, πάνω σε οριζόντια, σταθερή επιφάνεια εργασίας.** Μια οριζόντια και σταθερή επιφάνεια εργασίας μειώνει τον κίνδυνο απώλειας της ευστάθειας του φάλτσοπριονιού.
- ◆ **Σχεδιάστε εκ των προτέρων την εργασία σας. Κάθε φορά που αλλάζετε τη ρύθμιση γωνίας φάλτσας ή λοξής κοπής, να βεβαιώνετε ότι ο ρυθμιζόμενος οδηγός έχει ρυθμιστεί σωστά ώστε να υποστηρίζει το τεμάχιο εργασίας και δεν θα έρχεται σε επαφή με τη λεπίδα ή με το σύστημα προφυλακτήρα.** Χωρίς να ενεργοποιήσετε το εργαλείο και χωρίς αντικείμενο εργασίας στο τραπέζι, κινήστε τη λεπίδα πριονιού σε μια πλήρη προσομοιωμένη κοπή για να βεβαιωθείτε ότι δεν θα υπάρξει επαφή με τον οδηγό ή κίνδυνος κοπής του οδηγού.
- ◆ **Παρέχετε επαρκή υποστήριξη όπως επεκτάσεις τραπέζιου, στηρίγματα πριονιού κλπ. για ένα αντικείμενο εργασίας που έχει πλάτος ή μήκος μεγαλύτερο από την επιφάνεια του τραπεζιού.** Τα αντικείμενα εργασίας που έχουν πλάτος ή μήκος μεγαλύτερο από το τραπέζι του φάλτσοπριονιού μπορεί να πάρουν κλίση αν δεν υποστηρίζονται κατάλληλα. Αν πάρετε κλίση το κομμένο τμήμα ή το αντικείμενο εργασίας, μπορεί να ανυψώσει τον κάτω προφυλακτήρα ή να εκτιναχτεί από την περιστρεφόμενη λεπίδα.
- ◆ **Μη χρησιμοποιείτε δεύτερο άτομο ως υποκατάστατο μιας επέκτασης τραπεζιού ή για πρόσθετη στήριξη.** Η ασταθής υποστήριξη του αντικείμενου εργασίας μπορεί να κάνει τη λεπίδα να μαγκώσει ή το αντικείμενο εργασίας να μετακινηθεί κατά τη διάρκεια της εργασίας κοπής, τραβώντας και εσάς και το βοηθό σας προς την περιστρεφόμενη λεπίδα.
- ◆ **Το κομμένο τμήμα δεν πρέπει να σφηνωθεί ή να πιεστεί με οποιοδήποτε μέσο προς την περιστρεφόμενη λεπίδα πριονιού.** Αν περιοριστεί, π.χ. με χρήση σοππ μήκους, το κομμένο τμήμα να μπορούσε να σφηνώσει στη λεπίδα και να εκτιναχτεί βίαια.
- ◆ **Πάντα να χρησιμοποιείτε σφιγκτήρα ή διάταξη που έχει σχεδιαστεί για να υποστηρίζει κατάλληλα τα στρογγυλά υλικά όπως ράβδους ή σωληνώσεις.** Η ράβδος έχουν την τάση να κυλούν ενώ κόβονται, προκαλώντας μάγκωμα της λεπίδας και τράβηγμα του τεμαχίου εργασίας μαζί με το χέρι σας προς τη λεπίδα.
- ◆ **Αφήστε τη λεπίδα να επιτύχει την πλήρη της ταχύτητα πριν τη φέρετε σε επαφή με το αντικείμενο εργασίας.** Με αυτόν τον τρόπο θα μειωθεί ο κίνδυνος εκτίναξης του αντικείμενου εργασίας.
- ◆ **Αν σφηνώσει το αντικείμενο εργασίας ή η λεπίδα, απενεργοποιήστε το φάλτσοπρίονο. Περιμένετε να σταματήσουν όλα τα κινούμενα μέρη και αποσυνδέστε το φως από την πηγή ρεύματος και/ή αφαιρέστε το πακέτο μπαταρίας. Κατόπιν εργαστείτε για την απελευθέρωση του σφηνωμένου υλικού.** Η συνέχιση της κοπής με σφηνωμένο αντικείμενο εργασίας

θα μπορούσε να προκαλέσει απώλεια του ελέγχου ή ζημιά στο φάλτσοπρίονο.

- ◆ **Αφού ολοκληρώσετε την κοπή, ελευθερώστε το διακόπτη, κρατήστε την κεφαλή πριονιού κάτω και περιμένετε να σταματήσει η λεπίδα πριν αφαιρέσετε το κομμένο τεμάχιο.** Είναι επικίνδυνο να πλησιάσετε το χέρι σας στη λεπίδα που δεν έχει σταματήσει ακόμα να κινείται.

Πρόσθετες οδηγίες ασφαλείας για φάλτσοπρίονα

- ◆ **Κρατάτε τη λαβή σταθερά όταν πραγματοποιείτε μια μη πλήρη κοπή ή όταν απελευθερώνετε το διακόπτη πριν η κεφαλή φθάσει πλήρως στην κάτω θέση.** Η δράση πέδησης του πριονιού μπορεί να προκαλέσει απότομη έλξη της κεφαλής πριονιού προς τα κάτω, προκαλώντας κίνδυνο τραυματισμού.
- ◆ Η προβλεπόμενη χρήση περιγράφεται στο παρόν εγχειρίδιο οδηγιών. Η χρήση οποιοσδήποτε αξεσουάρ ή προσαρτήματος ή η εκτέλεση οποιασδήποτε εργασίας με αυτό το εργαλείο διαφορετικής από αυτές που συστήνονται στο παρόν εγχειρίδιο οδηγιών, ενδέχεται να εγκυμονεί κίνδυνο τραυματισμού και/ή ζημιάς σε ιδιοκτησία.
- ◆ Μη χρησιμοποιείτε λεπίδες πριονιού που παρουσιάζουν ρωγμές, ζημίες ή παραμορφώσεις.
- ◆ Αντικαταστήστε την πλάκα εντομής όταν φθαρεί.
- ◆ Μη χρησιμοποιείτε λεπίδες μεγαλύτερης ή μικρότερης διαμέτρου από τη συνιστώμενη. Για τη σωστή διαβάθμιση της λεπίδας ανατρέξτε στα τεχνικά χαρακτηριστικά. Χρησιμοποιείτε μόνο τις λεπίδες που προβλέπονται στο παρόν εγχειρίδιο οδηγιών, σε συμμόρφωση με το πρότυπο EN 847-1.
- ◆ Μη χρησιμοποιείτε λεπίδες πριονιού από ταχυχάλυβα (HSS).



Προειδοποίηση! Η επαφή με τη σκόνη που δημιουργούν οι εφαρμογές κοπής με πριόνι ή

η εισπνοή της σκόνης αυτής μπορεί να ενέχει κίνδυνο για την υγεία του χειριστή και των ατόμων που ενδεχομένως παρευρίσκονται. Φορέστε μάσκα σκόνης ειδικά σχεδιασμένη για προστασία από τη σκόνη και τις αναθυμιάσεις και βεβαιωθείτε ότι τα άτομα που βρίσκονται ή εισέρχονται στο χώρο εργασίας είναι επίσης προστατευμένα.

- ◆ Μην εργάζεστε με υλικά τα οποία περιέχουν αμιάντο. Ο αμιάντος θεωρείται καρκινογόνος.
- ◆ Φοράτε γάντια όταν χειρίζεστε λεπίδες πριονιού και τραχιά υλικά (οι λεπίδες πρέπει να μεταφέρονται σε θέση όπου είναι δυνατό).
- ◆ Φοράτε προστασία ακοής για να μειώσετε τον κίνδυνο πρόκλησης βλάβης της ακοής.
- ◆ Εξετάστε το ενδεχόμενο χρήσης λεπίδων ειδικά σχεδιασμένων για μείωση του θορύβου.

- ◆ Φοράτε προστατευτικά ματιών για να μειώσετε τον κίνδυνο σωματικής βλάβης.
- ◆ Χρησιμοποιείτε την παρεχόμενη σακούλα σκόνης όταν κόβετε ξύλο.
- ◆ **Κρατάτε το ηλεκτρικό εργαλείο από μονωμένες επιφάνειες λαβής όταν εκτελείτε μια εργασία όπου το αξεσουάρ κοπής μπορεί να έρθει σε επαφή με αθέατα καλώδια ή με το ίδιο του το καλώδιο.** Ένα εξάρτημα κοπής το οποίο έρχεται σε επαφή με ηλεκτροφόρο καλώδιο μπορεί να καταστήσει ηλεκτροφόρο και τα εκτεθειμένα μεταλλικά μέρη του ηλεκτρικού εργαλείου και να προκαλέσει ηλεκτροπληξία στο χειριστή του
- ◆ Επιλέξτε τη σωστή λεπίδα για το υλικό που πρόκειται να κόψετε.
- ◆ Μη χρησιμοποιήσετε το μηχάνημα, αν ο προφυλακτήρας δεν βρίσκεται στη θέση του. Μη χρησιμοποιήσετε το μηχάνημα, αν ο προφυλακτήρας δεν λειτουργεί σωστά ή αν δεν έχει συντηρηθεί σωστά.
- ◆ Βεβαιωθείτε ότι ο βραχίονας είναι καλά στερεωμένος όταν εκτελείτε φάλτσοκοπές.
- ◆ Πριν από κάθε κοπή, βεβαιωθείτε ότι το μηχάνημα είναι σταθερό.
- ◆ Διατηρείτε τις λαβές στεγνές, καθαρές, χωρίς λάδι και γράσο.
- ◆ Διατηρήστε το χώρο που περιβάλλει το μηχάνημα σε καλή κατάσταση και ελεύθερο από υλικά όπως πριονίδια και υπολείμματα κοπής.
- ◆ Εξασφαλίστε ότι το μηχάνημα και ο χώρος εργασίας διαθέτουν επαρκή γενικό και τοπικό φωτισμό.
- ◆ Μην επιτρέπετε σε άτομα χωρίς κατάλληλη εκπαίδευση να χρησιμοποιούν το μηχάνημα.
- ◆ Εξασφαλίστε ότι η λεπίδα έχει τοποθετηθεί σωστά πριν από τη χρήση. Βεβαιωθείτε ότι η λεπίδα περιστρέφεται στη σωστή κατεύθυνση. Διατηρείτε τη λεπίδα κοφτερή. Ακολουθήστε τις οδηγίες σε ό,τι αφορά τη λίπανση και την αλλαγή των εξαρτημάτων.
- ◆ Βεβαιωθείτε ότι η ταχύτητα που αναφέρεται πάνω στη λεπίδα πριονιού είναι τουλάχιστον ίση με την ταχύτητα που αναφέρεται πάνω στο πριόνι.
- ◆ Διασφαλίστε ότι τυχόν χρησιμοποιούμενοι αποσπώστες και δακτύλιοι ατράκτου είναι κατάλληλοι για το σκοπό αυτό, όπως δηλώνεται από τη BLACK+DECKER.
- ◆ Οι επισκευές στο σύστημα καθοδήγησης στη γραμμή κοπής πρέπει να γίνονται από τα εξουσιοδοτημένους αντιπροσώπους επισκευών ή από προσωπικό σέρβις της BLACK+DECKER.
- ◆ Αποσυνδέτε το μηχάνημα από την πρίζα πριν εκτελέσετε οποιαδήποτε εργασία συντήρησης ή όταν αλλάζετε τη λεπίδα.
- ◆ Ποτέ μην πραγματοποιείτε οποιαδήποτε εργασία καθαρισμού, συντήρησης, αφαίρεσης υπολειμμάτων κοπής ή άλλων τμημάτων του αντικείμενου που εξεργάζεστε από την περιοχή κοπής, όταν το μηχάνημα

είναι σε λειτουργία και η κεφαλή κοπής δεν βρίσκεται στη θέση ηρεμίας.

- ◆ Όταν είναι δυνατόν, πάντα στερεώνετε το μηχανήμα σε πάγκο.
- ◆ Βεβαιωθείτε ότι όλα τα μπουτόν και οι λαβές ασφάλισης έχουν σφικτεί, πριν ξεκινήσετε οποιαδήποτε εργασία.
- ◆ Ποτέ μη χρησιμοποιήσετε το πριόνι σας χωρίς το παρέμβυσμα τράπεζας.
- ◆ Ποτέ μην αποπειραθείτε να σταματήσετε απότομα ένα μηχανήμα που είναι σε κίνηση παρεμβάλλοντας ένα εργαλείο ή άλλο μέσο στη λεπίδα. Μ' αυτόν τον τρόπο, μπορούν αθέλητα να προκληθούν σοβαρά ατυχήματα.
- ◆ Πριν χρησιμοποιήσετε ή τοποθετήσετε οποιοδήποτε αξεσουάρ συμβουλευτείτε το εγχειρίδιο οδηγιών. Η ακατάλληλη χρήση ενός αξεσουάρ μπορεί να προκαλέσει ζημιά.
- ◆ Ανυψώστε τη λεπίδα από το ένεθο τραπεζιού στο αντικείμενο εργασίας, πριν την απελευθέρωση του διακόπτη ενεργοποίησης/απενεργοποίησης.
- ◆ Μη σφηνώστε οτιδήποτε στον ανεμιστήρα για να συγκρατήσετε τον άξονα του μοτέρ.
- ◆ Ο προφυλακτήρας λεπίδας στο πριόνι σας θα ανυψωθεί αυτόματα όταν κατεβάσετε το βραχίονα. Θα χαμηλώσει πάνω από τη λεπίδα όταν ανυψωθεί ο βραχίονας. Ο προφυλακτήρας μπορεί να ανυψωθεί με το χέρι όταν εγκαθιστάτε ή αφαιρείτε λεπίδες πριονιού ή για έλεγχο του πριονιού. Ποτέ μην ανυψώνετε με το χέρι τον προφυλακτήρα λεπίδας, αν το μηχανήμα δεν είναι απενεργοποιημένο.
- ◆ Περιοδικά ελέγχετε ότι τα ανοίγματα αερισμού του μοτέρ είναι καθαρά και απαλλαγμένα από πριονίδια.
- ◆ Ποτέ μην καθιστάτε τα προειδοποιητικά σήματα στο ηλεκτρικό εργαλείο μη αναγνωρίσιμα.
- ◆ Ποτέ μη στέκεστε πάνω στο ηλεκτρικό εργαλείο. Μπορεί να προκληθούν σοβαροί τραυματισμοί, σε περίπτωση ανατροπής του ηλεκτρικού εργαλείου ή σε περίπτωση επαφής με τη λεπίδα.
- ◆ Μην αγγίζετε τη λεπίδα πριονιού μετά την εργασία, προτού αυτός κρυώσει. Η λεπίδα πριονιού θερμαίνεται πολύ κατά την εργασία.
- ◆ Για την αποφυγή τραυματισμών από υλικά που εκσφενδονίζονται, αποσυνδέστε το πριόνι από την πρίζα για την αποφυγή ακούσιας ενεργοποίησης και στη συνέχεια, αφαιρέστε τα μικρά υλικά.
- ◆ Πριν από τη χρήση και μετά από οποιαδήποτε συντήρηση, ο προφυλακτήρας λεπίδας πρέπει να ελεγχθεί για να εξασφαλιστεί η σωστή λειτουργία του. Αυτός ο έλεγχος πρέπει να πραγματοποιηθεί με το πριόνι απενεργοποιημένο και αποσυνδεδεμένο από την πρίζα. Ο βραχίονας πρέπει να ανυψωθεί και να χαμηλωθεί για να εξασφαλιστεί ότι ο προφυλακτήρας καλύπτει τη λεπίδα και η λεπίδα δεν έρχεται σε επαφή με τον προφυλακτήρα. Αν το προστατευτικό δεν λειτουργεί σωστά, αναθεστε

το σέρβρις του ηλεκτρικού σας εργαλείου σε έναν έμπειρο τεχνικό. Καλέστε την Εξυπηρέτηση Πελατών της BLACK+DECKER για το πλησιέστερο εξουσιοδοτημένο κέντρο σέρβρις.

- ◆ **Αυτό το φάλτσοπριόνιο είναι σχεδιασμένο για την κοπή μόνο ξύλου, πλαστικών και μη σιδηρούχων μετάλλων.** Μη χρησιμοποιείτε το πριόνι για να κόβετε άλλα υλικά από αυτά που συνιστά ο κατασκευαστής.
- ◆ Μην αγγίζετε τη λεπίδα πριονιού μετά την εργασία, πριν αυτή κρυώσει. Η λεπίδα πριονιού θερμαίνεται πολύ κατά την εργασία.



Προειδοποίηση! Η κοπή πλαστικών, ξύλου που καλύπτεται από φυτικό χυμό και άλλων υλικών, μπορεί να προκαλέσει τη συσσώρευση λιωμένου υλικού στις μύτες των λεπίδων και στον κορμό της λεπίδας πριονιού, αυξάνοντας τον κίνδυνο υπερθέρμανσης και μαγκώματος της λεπίδας κατά τη διάρκεια της κοπής.

Υπολειπόμενοι κίνδυνοι

Οι κίνδυνοι που ακολουθούν είναι εγγενείς στη χρήση πριονιών: Παρά την εφαρμογή των σχετικών κανονισμών ασφαλείας και τη χρήση διατάξεων ασφαλείας, ορισμένοι υπολειπόμενοι κίνδυνοι δεν είναι δυνατό να αποφευχθούν. Σε αυτούς περιλαμβάνονται:

- ◆ Τραυματισμοί από την επαφή με οποιαδήποτε περιστρεφόμενα/κινούμενα μέρη.
- ◆ Βλάβη της ακοής.
- ◆ Κίνδυνος ατυχημάτων που προκαλούνται από τα ακάλυπτα μέρη της περιστρεφόμενης λεπίδας πριονιού.
- ◆ Κίνδυνος τραυματισμού κατά την αλλαγή εξαρτήματος, λεπίδας ή αξεσουάρ.
- ◆ Κίνδυνος σύνθλιψης των δακτύλων κατά το άνοιγμα των προφυλακτήρων.
- ◆ Κίνδυνοι στην υγεία που προκαλούνται από την εισπνοή σκόνης που παράγεται κατά το πριόνισμα του ξύλου, ειδικά της δρυός, της οξιάς και του MDF.
- ◆ Τραυματισμοί από παρατεταμένη χρήση εργαλείου. Όταν χρησιμοποιείτε οποιοδήποτε εργαλείο για παρατεταμένα χρονικά διαστήματα, μην παραλείπετε με κανένα τρόπο να κάνετε τακτικά διαλείμματα.

Θόρυβος

Οι δηλωμένες τιμές εκπομπής κραδασμών έχουν μετρηθεί σύμφωνα με τυποποιημένη μέθοδο δοκιμής και μπορούν να χρησιμοποιηθούν για τη σύγκριση ενός εργαλείου με ένα άλλο.

Οι δηλωμένες τιμές εκπομπής κραδασμών μπορούν επίσης να χρησιμοποιηθούν σε έναν προκαταρκτικό προσδιορισμό της έκθεσης σε κραδασμούς.

Προειδοποίηση! Στην πράξη, οι τιμές εκπομπής κραδασμών κατά την χρήση του ηλεκτρικού εργαλείου μπορεί να διαφέρουν από τις τιμές που δηλώθηκαν, ανάλογα με τον

τρόπο που χρησιμοποιείται το εργαλείο και ειδικά με το είδος του αντικειμένου που επεξεργάζεστε.

Προειδοποίηση! Πάντα φοράτε κατάλληλη ατομική προστασία ακοής. Υπό ορισμένες συνθήκες και διάρκειας χρήσης, ο θόρυβος από το προϊόν μπορεί να συμβάλει σε απώλεια ακοής. Λαμβάνετε υπόψη σας τους εξής παράγοντες που επηρεάζουν την έκθεση στο θόρυβο:

- ◆ Χρησιμοποιείτε λεπίδες πριονιού σχεδιασμένες να μειώνουν τον εκπεμπόμενο θόρυβο,
- ◆ Χρησιμοποιείτε μόνο καλά τροχισμένες λεπίδες πριονιού και
- ◆ Χρησιμοποιείτε ειδικά σχεδιασμένες λεπίδες πριονιού μειωμένου θορύβου.

Ετικέτες πάνω στο εργαλείο

Τα εικονογράμματα που ακολουθούν μαζί με τον κωδικό ημερομηνίας εμφανίζονται πάνω στο εργαλείο:



Προειδοποίηση! Για να μειωθεί ο κίνδυνος τραυματισμού, ο χρήστης πρέπει να διαβάσει το εγχειρίδιο οδηγιών.



Φοράτε προστατευτικά γυαλιά ασφαλείας



Φοράτε προστασία αναπνοής



Φοράτε μάσκα προστασίας από σκόνη



Αυτό το προϊόν δεν πρέπει να χρησιμοποιείται από παιδιά κάτω των 16 ετών



Κρατάτε τα χέρια μακριά από τη λεπίδα



Απαγορευμένη περιοχή για τα χέρια - Κρατήστε τα δάχτυλα και τα χέρια σας μακριά από περιστρεφόμενες λεπίδες κοπής



Φοράτε γάντια κατά το χειρισμό λεπίδων πριονιού



Μην κοιτάζετε απ' ευθείας τη λάμπα λειτουργίας



Μην εκθέσετε τον εξοπλισμό στη βροχή.



Αποσυνδέστε το φως ρευματοληψίας αν το καλώδιο υποστεί ζημιά ή μπερδευτεί.

Ασφαλής χρήση ηλεκτρικού ρεύματος



Αυτό το εργαλείο φέρει διπλή μόνωση. Επομένως, δεν απαιτείται καλώδιο γείωσης. Ελέγχετε πάντα ότι η παροχή ρεύματος αντιστοιχεί στην τάση που αναφέρεται στην πινακίδα στοιχείων.

- ◆ Αν το καλώδιο ρεύματος έχει υποστεί ζημιά, πρέπει να αντικατασταθεί από τον κατασκευαστή ή εξουσιοδοτημένο κέντρο σέρβις BLACK+DECKER, για την αποφυγή κινδύνου.

Πτώσεις τάσης

Τα ρεύματα εκκίνησης προκαλούν σύντομες πτώσεις τάσης. Υπό μη ευνοϊκές συνθήκες τροφοδοσίας, μπορεί να επηρεαστεί άλλος εξοπλισμός. Εάν η σύνθετη αντίσταση της τροφοδοσίας είναι χαμηλότερη από 0,178 Ω, είναι απίθανο να παρουσιαστούν διαταραχές.

Χρήση καλωδίου επέκτασης

Χρησιμοποιείτε πάντα εγκεκριμένο καλώδιο επέκτασης, κατάλληλο για την ισχύ εισόδου αυτού του εργαλείου (δείτε τεχνικά χαρακτηριστικά). Πριν από τη χρήση, ελέγξτε προσεκτικά το καλώδιο επέκτασης για σημάδια ζημιάς, φθοράς ή παλαιώσης. Αντικαταστήστε το καλώδιο επέκτασης αν παρουσιάσει ζημιά ή βλάβη. Όταν χρησιμοποιείτε καλώδιο σε καρούλι, πάντα ξετυλίγετε τελείως το καλώδιο. Η χρήση καλωδίου επέκτασης ακατάλληλου για την ισχύ εισόδου του εργαλείου ή καλωδίου που έχει υποστεί ζημιά ή βλάβη μπορεί να προκαλέσει κίνδυνο πυρκαγιάς και ηλεκτροπληξίας.

Χαρακτηριστικά

Αυτό το εργαλείο διαθέτει μερικά από ή όλα τα παρακάτω χαρακτηριστικά.

1. Ράβδοι ολίσθησης
2. Λαβή ασφάλισης φάλσσοκοπής
3. Βάση υποστήριξης
4. Σφικτήρας αντικειμένου προς επεξεργασία
5. Ράγα επέκτασης τραπεζιού
6. Οπές μπουλονιών
7. Ένδειξη γωνίας λοξής κοπής
8. Ένθετο τραπεζιού
9. Λαβή ασφάλισης λοξής κοπής
10. Πλάκα βάσης
11. Περιστροφικό τραπέζι
12. Πίσω οδηγός
13. Λεπίδα πριονιού
14. Προφυλακτήρας λεπίδας
15. Πλάκα στερώσεως προφυλακτήρα ασφαλείας
16. Περιβλήμα μοτέρ
17. Πείρος ασφάλισης κεφαλής πριονιού
18. Κύρια λαβή
19. Διακόπτης σκανδάλης

20. Μοχλός απελευθέρωσης ασφαλείας
21. Κουμπί on/off φωτισμού γραμμής κοπής
22. Λαβή μεταφοράς
23. Σακούλα σκόνης
24. Ρυθμιζόμενο πόδι υποστήριξης
25. Ένδειξη γωνίας φалтσοκοπής
26. Κλίμακα γωνίας λοξής κοπής
27. Κλίμακα γωνίας φалтσοκοπής
28. Βίδα ασφάλισης ράβδων ολίσθησης
29. Βίδα βάθους κοπής
30. Εργαλείο αλλαγής λεπίδας
31. Ασφάλεια άξονα
32. Απασφάλιση λοξής κοπής
33. Βίδα ασφάλισης ράγας επέκτασης
34. Βίδα ασφάλισης σφινγκτήρα
35. Βίδα ασφάλισης συρόμενου οδηγού
36. Δεματικό καλωδίων

Συναρμολόγηση

Το φалтσοπρίοно παραδίδεται εν μέρει συναρμολογημένο μέσα στο χαρτοκιβώτιο.

- ◆ Ανοίξτε το κουτί και ανυψώστε το πρίοно από το κουτί.
- ◆ Τοποθετήστε το πρίοно πάνω σε μια επίπεδη, οριζόντια επιφάνεια όπως σε έναν πάγκο εργασίας ή ένα ανθεκτικό τραπέζι.
- ◆ Μελετήστε το διάγραμμα συναρμολόγησης στη σελίδα 2 του παρόντος εγχειριδίου για να εξοικειωθείτε με το πρίοно και τα διάφορα μέρη του. Το τμήμα σχετικά με τις ρυθμίσεις θα αναφέρεται σε αυτούς τους όρους και πρέπει να γνωρίζετε ποια και πού είναι αυτά τα εξαρτήματα.
- ◆ Για τη μεταφορά του εργαλείου, η λαβή είναι ασφαλισμένη στη χαμηλωμένη θέση με χρήση του πείρου ασφάλισης κεφαλής πριονιού (17). Τραβήξτε τον πείρο ασφάλισης κεφαλής πριονιού (17) και περιστρέψτε τον 90°, είτε δεξιόστροφα είτε αριστερόστροφα όπως δείχνει η εικόνα Α.
- ◆ Η λαβή ασφάλισης λοξής κοπής (9) δεν είναι τοποθετημένη κατά την αποστολή. Αφαιρέστε τη λαβή ασφάλισης λοξής κοπής (9) από τη συσκευασία και βιδώστε την πάνω στο πρίοно, βλ. εικόνα Β σχετικά με τη θέση.

Ράγα επέκτασης τραπεζιού (Εικ. C & D)

Το φалтσοπρίοно παρέχεται με 2 ράγες επέκτασης τραπεζιού (5) για την υποστήριξη μεγάλων αντικειμένων εργασίας που προεξέχουν.

- ◆ Τραβήξτε τη ράγα επέκτασης τραπεζιού (5) ως το μήκος που απαιτείται για το αντικείμενο εργασίας, όπως δείχνει η εικόνα C.
- ◆ Ασφαλίστε τη στη θέση της σφίγγοντας τη βίδα ασφάλισης ράγας επέκτασης (33), όπως δείχνει η εικόνα D.

- ◆ Επαναλάβετε τη διαδικασία στην άλλη πλευρά.

Βάση υποστήριξης - BES710 μόνο (Εικ. E)

Το φалтσοπρίοно BES710 παρέχεται με 1 βάση υποστήριξης (3), που βρίσκεται στο πίσω μέρος της μονάδας, για βελτιωμένη ευστάθεια.

Στερέωση σε πάγκο (Εικ. F)

Το φалтσοπρίοно μπορεί να βιδωθεί με τέσσερα μπουλόνια (6a) (δεν παρέχονται) σε μια οριζόντια και σταθερή επιφάνεια χρησιμοποιώντας τις σπές μπουλονιών (6) που έχουν προβλεφθεί στη βάση του εργαλείου. Αυτό βοηθά να αποτραπεί ανατροπή του εργαλείου και πιθανός τραυματισμός.

Σύστημα συλλογής σκόνης (Εικ. G)

Η χρήση της σακούλας συλλογής σκόνης (23) κάνει τις εργασίες κοπής καθαρότερες και διευκολύνει τη συλλογή της σκόνης.

- ◆ Για να συνδέσετε τη σακούλα συλλογής σκόνης (23), εφαρμόστε την πάνω στο ακροστόμιο συλλογής σκόνης (23a).
- ◆ Όταν η σακούλα συλλογής σκόνης (23) έχει γεμίσει περίπου ως τη μέση, αφαιρέστε την από το εργαλείο.
- ◆ Αδειάστε τη σακούλα συλλογής σκόνης χτυπώντας την ελαφρά, ώστε να απομακρυνθούν τα σωματίδια που έχουν προσκολληθεί στα εσωτερικά της τοιχώματα και να μην εμποδιστεί η περαιτέρω συλλογή σκόνης.

Σημείωση: Αν συνδέσετε στο πρίοно σας μια ηλεκτρική σκούπα συνεργείου, μπορείτε να πραγματοποιήσετε πιο αποτελεσματικές και πιο καθαρές εργασίες.

Για να εγκαταστήσετε το σφινγκτήρα αντικειμένου εργασίας (Εικ. H)

- ◆ Εισάγετε τον σφινγκτήρα (4) στην οπή (4c) πίσω από τον οδηγό. Ο σφινγκτήρας θα πρέπει να είναι στραμμένος προς το πίσω μέρος του φалтσοπρίοно. Η αυλάκωση στη ράβδο του σφινγκτήρα θα πρέπει να εισαχθεί πλήρως στη βάση. Βεβαιωθείτε ότι η αυλάκωση έχει εισαχθεί πλήρως στη βάση του φалтσοπρίοно. Αν είναι ορατή η αυλάκωση, ο σφινγκτήρας δεν θα είναι σταθερά στερεωμένος.
- ◆ Περιστρέψτε το σφινγκτήρα 180° προς το μπροστινό μέρος του φалтσοπρίοно.
- ◆ Ξεσφίξτε το κουμπί (4b) για να ρυθμίσετε το σφινγκτήρα προς τα πάνω ή κάτω και κατόπιν χρησιμοποιήστε το κουμπί μικρορύθμισης (4a) για να συσφίξετε σταθερά το αντικείμενο εργασίας.

Σημείωση: Τοποθετήστε το σφινγκτήρα στην αντίθετη πλευρά της βάσης όταν εκτελείτε φалтσοκοπή. ΠΑΝΤΑ ΝΑ ΚΑΝΕΤΕ ΔΟΚΙΜΕΣ ΜΕ ΑΠΕΝΕΡΓΟΠΟΙΗΜΕΝΟ ΠΡΙΟΝΙ (ΧΩΡΙΣ ΤΡΟΦΟΔΟΣΙΑ) ΠΡΙΝ ΤΙΣ ΤΕΛΙΚΕΣ ΚΟΠΕΣ ΩΣΤΕ ΝΑ ΕΛΕΓΧΕΤΕ ΤΗ ΔΙΑΔΡΟΜΗ ΤΗΣ ΛΕΠΙΔΑΣ.

ΒΕΒΑΙΩΘΕΙΤΕ ΟΤΙ Ο ΣΦΙΓΚΤΗΡΑΣ ΔΕΝ ΕΜΠΟΔΙΖΕΙ ΤΗ ΛΕΙΤΟΥΡΓΙΑ ΤΟΥ ΠΡΙΟΝΙΟΥ Ή ΤΩΝ ΠΡΟΦΥΛΑΚΤΗΡΩΝ.

Αλλαγή ή εγκατάσταση νέας λεπίδας πριονιού (Εικ. I, J, K)

Προειδοποίηση! Για να μειώσετε τον κίνδυνο σοβαρού τραυματισμού, απενεργοποιήστε το εργαλείο και αποσυνδέστε το από την πηγή ρεύματος πριν επιχειρήσετε να το μετακινήσετε, να αλλάξετε αξεσουάρ ή να κάνετε οποιαδήποτε ρύθμιση.

Προειδοποίηση! Ποτέ μην πιέσετε το κουμπί της ασφάλισης της απάγκτου (31) ενώ η λεπίδα βρίσκεται υπό ενεργή κίνηση ή κινείται επιβραδυνόμενη.

Προειδοποίηση! Μην κόβετε με αυτό το φάλσοπριόνιο σιδηρούχα μέταλλα (που περιέχουν σίδηρο ή χάλυβα) ή τοιχοποιία ή προϊόντα τσιμεντοσανίδας.

Αφαίρεση της λεπίδας

- ◆ Αποσυνδέστε το πριόνι από την πρίζα.
- ◆ Ανυψώστε τον βραχίονα στην πάνω θέση και σπρώξτε τον κάτω προφυλακτήρα (14) όσο το δυνατόν περισσότερο προς τα πάνω.
- ◆ Λασκάρετε, αλλά μην αφαιρέσετε τη βίδα στηρίγματος προφυλακτήρα (13c) έως ότου το στήριγμα μπορεί να ανυψωθεί αρκετά για να παρέχει πρόσβαση στη βίδα της λεπίδας (13a). Ο κάτω προφυλακτήρας θα παραμείνει ανυψωμένος λόγω της θέσης της βίδας του στηρίγματος προφυλακτήρα όπως δείχνει η εικόνα I.
- ◆ Πιέστε το κουμπί ασφάλισης άξονα (31) ενώ περιστρέφετε προσεκτικά τη λεπίδα πριονιού με το χέρι έως ότου συμπλεχτεί η ασφάλιση όπως δείχνει η εικόνα J.
- ◆ Κρατώντας το κουμπί πατημένο, χρησιμοποιήστε το άλλο χέρι και το παρεχόμενο εργαλείο αλλαγής λεπίδας (30) για να λασκάρετε τη βίδα της λεπίδας (13a). (Περιστρέψτε δεξιόστροφα, τα σπειρώματα είναι αριστερόστροφα.)
- ◆ Αφαιρέστε τη βίδα της λεπίδας (13a), την εξωτερική ροδέλα σύσφιξης (13d), τη λεπίδα (13) και τον προσαρμογέα λεπίδας (13e), αν χρησιμοποιείται. Μπορείτε να αφήσετε την εσωτερική ροδέλα σύσφιξης (13f) πάνω στον άξονα.

Εγκατάσταση μιας λεπίδας

- ◆ Αποσυνδέστε το πριόνι από την πρίζα.
- ◆ Με τον βραχίονα ανυψωμένο, τον προφυλακτήρα συγκρατούμενο ανοικτό και το στήριγμα προφυλακτήρα ανυψωμένο, τοποθετήστε τη λεπίδα πάνω στον άξονα, πάνω στον προσαρμογέα λεπίδας και σε πλήρη επαφή με τον εσωτερικό σφιγκτήρα λεπίδας με τα δόντια στο κάτω μέρος της λεπίδας να δείχνουν προς το πίσω μέρος του πριονιού.
- ◆ Τοποθετήστε την εξωτερική ροδέλα σφιγκτήρα πάνω στον άξονα.

- ◆ Τοποθετήστε τη βίδα της λεπίδας και αφού συμπλέξετε την ασφάλεια άξονα, σφίξτε τη βίδα καλά με το παρεχόμενο κλειδί (περιστρέψτε αριστερόστροφα, αφού το σπείρωμα είναι αριστερόστροφο).

Ρύθμιση της γωνίας λοξής κοπής (Εικ. L)

- ◆ Λασκάρετε τη λαβή (9) περιστρέφοντας την αριστερόστροφα.
- ◆ Χρησιμοποιήστε το σύστημα απελευθέρωσης της ασφάλισης λοξής κοπής (32) για να μετακινήσετε το περιστροφικό τραπέζι (11) στη θέση όπου ο δείκτης (7) δείχνει στην επιθυμητή γωνία πάνω στην κλίμακα λοξής κοπής (26) και κατόπιν σφίξτε τη λαβή δεξιόστροφα.
- ◆ Το ρυθμιζόμενο πόδι υποστήριξης (24) χρησιμεύει για να σας βοηθήσει να διατηρήσετε το εργαλείο σε ισορροπία. Μετά από κάθε ρύθμιση γωνίας λοξής κοπής, θα πρέπει να περιστρέψετε τη λαβή στο πόδι δεξιόστροφα ή αριστερόστροφα έως ότου το κάτω μέρος του έρθει σε επαφή με την επιφάνεια στήριξης του εργαλείου. Υπάρχουν δύο θέσεις ανάλογα με το βάθος του παγκού εργασίας σας.

Βάθος κοπής

Αν θέλετε να κόψετε μια αυλάκωση, μπορείτε να ρυθμίσετε το βάθος κοπής χρησιμοποιώντας το βάθος της βίδας κοπής (29) ή τη λεπίδα.

- ◆ Περιστρέψτε τη βίδα βάθους κοπής (29) και ακινητοποιήστε την με το κόντρα παξιμάδι.

Ρύθμιση οδηγού

Πριν από φάλσσκοπή, βεβαιωθείτε ότι κανένα μέρος του εργαλείου δεν έρχεται σε επαφή με τον οδηγό (12) όταν κατεβάζετε και ανεβάζετε τη λαβή πλήρως σε οποιαδήποτε θέση και τραβάτε ή σπρώχνετε το φορείο στη χαμηλότερη δυνατή θέση. Πριν χρησιμοποιήσετε το εργαλείο, βεβαιωθείτε ότι ο συρόμενος οδηγός έχει στερεωθεί καλά με τη βίδα ασφάλισης (35) του συρόμενου οδηγού.

Προειδοποίηση! Όταν εκτελείτε φάλσσκοπές, κινήστε τον συρόμενο οδηγό στα αριστερά και ασφαλίστε τον. Διαφορετικά, θα έρθει σε επαφή με τη λεπίδα ή με μέρος του εργαλείου, προκαλώντας πιθανά σοβαρό τραυματισμό στον χειριστή.

Αυτό το εργαλείο είναι εξοπλισμένο με τον συρόμενο οδηγό ο οποίος θα πρέπει κανονικά να είναι τοποθετημένος στην κεντρική του θέση. Ωστόσο, όταν πραγματοποιείτε αριστερές φάλσσκοπές, τοποθετήστε τον στην αριστερή θέση αν έρχεται σε επαφή μαζί του η κεφαλή του εργαλείου. Όταν οι εργασίες φάλσσκοπής έχουν ολοκληρωθεί, μην ξεχάσετε να επαναφέρετε τον συρόμενο οδηγό στην αρχική θέση και να τον στερεώσετε σφίγγοντας σταθερά τη βίδα ασφάλισης (35) του συρόμενου οδηγού.

Ρύθμιση της γωνίας φάλτσοκοπής (Εικ. Μ)

Όταν γέρνετε το φορέο προς τα αριστερά, λασκάρετε τον μοχλό (2) στο πίσω μέρος του εργαλείου αριστερόστροφα. Απασφαλίστε τον βραχίονα σπρώχνοντας λίγο τη λαβή με δύναμη σε μία μόνο κατεύθυνση.

- ◆ Γείρετε τη λεπίδα πριονιού έως ότου ο δείκτης (25) δείχνει την επιθυμητή γωνία πάνω στην κλίμακα γωνίας φάλτσοκοπής (27).
- ◆ Σφίξτε σταθερά τον μοχλό (2) δεξιόστροφα για να ασφαλίσετε τον βραχίονα.

Προειδοποίηση! Όταν γέρνετε τη λεπίδα πριονιού, βεβαιωθείτε να ανυψώσετε τη λαβή πλήρως. Αφού αλλάξετε τη γωνία φάλτσοκοπής, πάντα να ασφαλίσετε τον βραχίονα σφίγγοντας τον μοχλό δεξιόστροφα.

Προειδοποίηση! Όταν γέρνετε τη λεπίδα πριονιού, πάντα να λαμβάνετε υπόψη σας το βάρος της κεφαλής και να βεβαιώνεστε ότι δεν θα σας πέσει με δύναμη.

Χρήση του διακόπτη (Εικ. Ν)

Προσοχή! Πριν συνδέσετε το εργαλείο στην πρίζα, ελέγχετε πάντα ότι ο διακόπτης σκανδάλης (19) πατιέται εύκολα και επιστρέφει στη θέση απενεργοποίησης όταν τον ελευθερώνετε.

- ◆ Για να θέσετε σε λειτουργία το εργαλείο, μετακινήστε το μοχλό απελευθέρωσης ασφαλείας (20) προς τα δεξιά χρησιμοποιώντας τον δείκτη σας.
- ◆ Πιέστε τον διακόπτη σκανδάλης (19).
- ◆ Για να σταματήσετε το εργαλείο, απελευθερώστε το διακόπτη σκανδάλης (19).

Προειδοποίηση! Ποτέ μη χρησιμοποιήσετε εργαλείο χωρίς πλήρως λειτουργικό διακόπτη σκανδάλης. Οποιοδήποτε εργαλείο με μη λειτουργικό διακόπτη είναι ΠΑΡΑ ΠΟΛΥ ΕΠΙΚΙΝΔΥΝΟ και πρέπει να επισκευαστεί πριν τη χρήση του.

Χρήση του συστήματος Γραμμής κοπής (Εικ. Ν)

Σημείωση: Το φάλτσοπρίονο πρέπει να είναι συνδεδεμένο σε πηγή ρεύματος. Το σύστημα Γραμμής κοπής είναι εξοπλισμένο με διακόπτη ενεργοποίησης/ απενεργοποίησης (21). Το σύστημα Γραμμής κοπής είναι ανεξάρτητο από το διακόπτη σκανδάλης του φάλτσοπριονιού.

Δεν χρειάζεται να είναι ενεργοποιημένος ο φωτισμός για να χρησιμοποιηθεί το πρίονι. Για να επιτύχετε κοπή μέσω υπάρχουσας γραμμής μολυβιού σε ένα κομμάτι ξύλου:

- ◆ Ενεργοποιήστε το σύστημα Γραμμής κοπής και κατόπιν τραβήξτε προς τα κάτω τη λαβή χειρισμού (18) για να πλησιάσετε τη λεπίδα πριονιού στο ξύλο. Η σκιά της λεπίδας θα εμφανιστεί πάνω στο ξύλο.
- ◆ Ευθυγραμμίστε τη γραμμή μολυβιού με το πλάι της σκιάς της λεπίδας. Μπορεί να χρειαστεί να ρυθμίσετε τις γωνίες λοξής κοπής ή φάλτσοκοπής ώστε να ταιριάζετε ακριβώς τη γραμμή μολυβιού.

Εγκάρσιες κοπές

Μια εγκάρσια κοπή γίνεται με κοπή του ξύλου κάθετα στα νερά του υπό οποιαδήποτε γωνία. Μια ίσια εγκάρσια κοπή γίνεται με το βραχίονα λοξής κοπής στη θέση των μηδέν μοιρών. Ρυθμίστε και ασφαλίστε το βραχίονα λοξής κοπής στο μηδέν και συγκρατήστε το ξύλο σταθερά πάνω στο τραπέζι και σε επαφή με τον οδηγό. Με σφιγμένη τη λαβή ασφάλισης ράγας, ενεργοποιήστε το πρίονι πιέζοντας τον διακόπτη σκανδάλης (19).

Όταν το πρίονι επιτύχει την ταχύτητα λειτουργίας του (περίπου σε 1 δευτερόλεπτο), χαμηλώστε το βραχίονα ομαλά και αργά για να κόψετε δια μέσου του ξύλου. Αφήστε τη λεπίδα να σταματήσει τελείως πριν ανυψώσετε τον βραχίονα. Όταν κόβετε οτιδήποτε μεγαλύτερο από 51 mm x 102 mm, χρησιμοποιήστε μια κίνηση προς τα έξω-κάτω-πίσω με τη λαβή ασφάλισης ράγας λασκαρισμένη. Τραβήξτε το πρίονι έξω προς το μέρος σας, χαμηλώστε την κεφαλή πριονιού προς το αντικείμενο εργασίας και αργά σπρώξτε το πρίονι πίσω για να ολοκληρώσετε την κοπή. Μην επιτρέψετε στη λεπίδα πριονιού να έρθει σε επαφή με το πάνω μέρος του αντικείμενου εργασίας ενώ το τραβάτε έξω. Το πρίονι μπορεί να κινηθεί προς το μέρος σας, ενδεχομένως προκαλώντας τραυματισμό ή ζημιά στο αντικείμενο εργασίας.

Προειδοποίηση! Πάντα χρησιμοποιείτε διάταξη σύσφιξης του αντικείμενου εργασίας για να διατηρείτε τον έλεγχο και να μειώσετε τον κίνδυνο ζημιάς στο αντικείμενο εργασίας και τραυματισμού.

Σημείωση: Η λαβή ασφάλισης ράγας πρέπει να είναι λασκαρισμένη για να μπορεί το πρίονι να ολισθήσει κατά μήκος των ραγών του.

Οι λοξές εγκάρσιες κοπές γίνονται με το βραχίονα λοξής κοπής σε κάποια γωνία εκτός του μηδενός. Αυτή η γωνία συχνά είναι 45° για κατασκευή γωνιών, αλλά μπορεί να ρυθμιστεί σε οποιαδήποτε τιμή από μηδέν έως 47° αριστερά ή 47° δεξιά. Πραγματοποιήστε την κοπή όπως περιγράφεται παραπάνω.

Για να επιτύχετε κοπή μέσω υπάρχουσας γραμμής μολυβιού σε ένα κομμάτι ξύλου, ρυθμίστε τη γωνία ώστε να συμφωνεί όσο το δυνατόν περισσότερο. Κόψτε το ξύλο λίγο μακρύτερο από ότι χρειάζεται και μετρήστε από τη γραμμή μολυβιού ως την κομμένη άκρη για να προσδιορίσετε προς ποια πλευρά πρέπει να ρυθμίσετε τη γωνία λοξής κοπής και κόψτε πάλι. Για το σκοπό αυτόν θα χρειαστεί ορισμένη εξάσκηση, αλλά είναι μια τεχνική που χρησιμοποιείται συχνά.

Κατάλληλη θέση σώματος και χεριών (Εικ. Ο1 – Ο4)

Η σωστή τοποθέτηση του σώματος και των χεριών σας όταν χρησιμοποιείτε το φάλτσοπρίονο θα διευκολύνει να γίνει

η κοπή ευκολότερα και με μεγαλύτερη ασφάλεια. Ποτέ μην τοποθετείτε τα χέρια σας κοντά στην περιοχή κοπής. Μην τοποθετείτε τα χέρια σας πιο κοντά από 152 mm από τη λεπίδα. Κρατάτε το αντικείμενο εργασίας σφικτά σε επαφή με το τραπέζι και τον οδηγό όταν κόβετε. Κρατάτε τα χέρια σας στη θέση τους έως ότου έχει ελευθερωθεί η σκανδάλη και έχει σταματήσει τελείως η κίνηση της λεπίδας. ΠΑΝΤΑ ΝΑ ΚΑΝΕΤΕ ΔΟΚΙΜΕΣ ΜΕ ΑΠΕΝΕΡΓΟΠΟΙΗΜΕΝΟ ΠΡΙΟΝΙ (ΧΩΡΙΣ ΤΡΟΦΟΔΟΣΙΑ) ΠΡΙΝ ΤΙΣ ΤΕΛΙΚΕΣ ΚΟΠΕΣ ΩΣΤΕ ΝΑ ΜΠΟΡΕΙΤΕ ΝΑ ΕΛΕΓΞΕΤΕ ΤΗ ΔΙΑΔΡΟΜΗ ΤΗΣ ΛΕΠΙΔΑΣ. ΜΗ ΔΙΑΣΤΑΥΡΩΝΕΤΕ ΤΑ ΧΕΡΙΑ ΟΠΩΣ ΔΕΙΧΝΕΙ Η ΕΙΚΟΝΑ Ο3 και Ο4. Κρατάτε το πόδια σταθερά στο δάπεδο και διατηρείτε σωστή ισορροπία. Καθώς μετακινείτε το βραχίονα λοξής κοπής αριστερά και δεξιά, ακολουθήστε τον και σταθείτε ελαφρά προς το πλάι της λεπίδας πριονιού. Βλέπτετε μέσα από τις περιόδους του προφυλακτήρα όταν ακολουθείτε μια γραμμή μολυβιού.

Ρύθμιση καθετότητας της λεπίδας ως προς το τραπέζι (Εικ. Ρ)

Για να ευθυγραμμίσετε τη λεπίδα σε ορθή γωνία ως προς το τραπέζι, ασφαλίστε τον βραχίονα στην κάτω θέση με τον πείρο ασφάλισης στην κάτω θέση. Τοποθετήστε μια γωνιά σε επαφή με τη λεπίδα και βεβαιωθείτε ότι η γωνιά δεν βρίσκεται πάνω σε δόντι. Λασκάρετε τη λαβή ασφάλισης φαλτοσκοπής και βεβαιωθείτε ότι ο βραχίονας είναι σε σταθερή επαφή με το στοπ φαλτοσκοπής 0°. Περιστρέψτε τη βίδα ρύθμισης 0° φαλτοσκοπής με το κλειδί 10 mm (δεν παρέχεται) όπως χρειάζεται, ώστε η λεπίδα να είναι σε γωνία φαλτοσκοπής 0° ως προς το τραπέζι, όπως αυτό προσδιορίζεται με τη γωνιά.

Κοπή κορνιζών φωτογραφιών, κουτιών διοράματος και άλλων κατασκευών με τέσσερις πλευρές (Εικ. Q1, Q2)

Για να κατανοήσετε καλύτερα πώς να κατασκευάσετε τα είδη που αναφέρονται εδώ, συνιστούμε να δοκιμάσετε μερικές απλές κατασκευές χρησιμοποιώντας άχρηστο ξύλο έως ότου αναπτύξετε μια "αίσθηση" για το πριόνι σας. Το πριόνι σας είναι το τέλειο εργαλείο για λοξή κοπή γωνιών όπως αυτών που φαίνονται στην Εικόνα Q1. Το σχέδιο Α στην Εικόνα Q2 δείχνει μια ένωση που έγινε με χρήση της ρύθμισης φαλτογωνιάς για φαλτοσκοπή των άκρων των δύο σανίδων σε γωνία 45° η κάθε μία, ώστε να σχηματιστεί μια γωνία 90°. Για αυτή την ένωση, ο βραχίονας λοξής κοπής ήταν ασφαλισμένος στη θέση μηδέν και η ρύθμιση γωνιάς φαλτοσκοπής ήταν ασφαλισμένη στις 45°. Το ξύλο τοποθετήθηκε με την πλατιά πλευρά σε επαφή με το τραπέζι και τη στενή ακμή σε επαφή με τον οδηγό. Η ίδια κοπή μπορεί να γίνει και με λοξή κοπή δεξιά και αριστερά με την πλατιά επιφάνεια σε επαφή με τον οδηγό.

Κοπή κορνιζών και άλλων πλαισίων (Εικ. Q2)

Το σχήμα Β στην Εικόνα Q2 δείχνει μια ένωση που έγινε με ρύθμιση του βραχίονα λοξής κοπής σε 45° για να κοπούν οι δύο σανίδες ώστε να σχηματιστεί γωνία 90°. Για να πραγματοποιήσετε αυτόν τον τύπο της ένωσης, ρυθμίστε τη γωνία φαλτοσκοπής σε μηδέν και το βραχίονα λοξής κοπής σε 45°. Και πάλι το ξύλο τοποθετείται με την πλατιά πλευρά σε επαφή με το τραπέζι και τη στενή ακμή σε επαφή με τον οδηγό. Οι Εικόνες Q1 και Q2 αφορούν μόνο αντικείμενα με τέσσερις πλευρές. Όταν αλλάξουν ο αριθμός των πλευρών, αλλάζουν και οι γωνίες λοξής κοπής και φαλτοσκοπής.

Ο παρακάτω πίνακας αναφέρει τις σωστές ρυθμίσεις γωνίας για διάφορα σχήματα.

Αριθμός πλευρών	Γωνία λοξής ή φάλτσας κοπής
4	45°
5	36°
6	30°
7	25,7°
8	22,5°
9	20°
10	18°

Για τη δημιουργία του πίνακα έγινε η υπόθεση ότι όλες οι πλευρές είναι ίσου μήκους. Για ένα σχήμα που δεν αναφέρεται στον πίνακα, χρησιμοποιήστε τον εξής υπολογιστικό τύπο:

αν διαιρέσετε τις 180° δια τον αριθμό των πλευρών έχετε τη γωνία λοξής κοπής (αν το υλικό κόβεται κάθετα) ή τη γωνία φαλτοσκοπής (αν το υλικό κόβεται ενώ στηρίζεται στην πλατιά του επιφάνεια).

Πραγματοποίηση σύνθετων λοξών κοπών (Εικ. Q3)

Μια σύνθετη λοξή κοπή είναι μια κοπή που γίνεται με ταυτόχρονη χρήση γωνιάς λοξής κοπής και γωνιάς φαλτοσκοπής. Αυτός είναι ο τύπος της κοπής που χρησιμοποιείται για τη δημιουργία πλαισίων ή κιβωτιών με κεκλιμένες πλευρές όπως αυτό που φαίνεται στην εικόνα Q3. **Σημείωση:** Αν η γωνία κοπής διαφέρει από κοπή σε κοπή, ελέγξτε ότι έχουν ασφαλιστεί καλά η λαβή ασφάλισης φαλτοσκοπής και η λαβή ασφάλισης λοξής κοπής. Αυτά πρέπει να ασφαλιζονται μετά την πραγματοποίηση οποιασδήποτε ρύθμισης γωνιάς φαλτοσκοπής ή λοξής κοπής.

Κοπή σοβατεπί (Εικ. R)

Ευθείες κοπές 90°:

Τοποθετήστε το ξύλο σε επαφή με τον οδηγό και συγκρατήστε το στη θέση του όπως δείχνει η Εικόνα R. Ενεργοποιήστε το

πριόνι, αφήστε τη λεπίδα να φθάσει σε πλήρη ταχύτητα και χαμηλώστε το βραχίονα ομαλά σε όλη την κοπή.

Κοπή σοβατεπί ύψους έως 70 mm / 90 mm ύψος σε επαφή κάθετα με τον οδηγό

BES700 - 70 mm για 216 mm

BES710 - 90 mm για 254 mm

Τοποθετήστε το υλικό όπως δείχνει η Εικόνα R. Όλες οι κοπές θα πρέπει να γίνονται με την πίσω πλευρά του σοβατεπί σε επαφή με τον οδηγό και με το κάτω μέρος του σοβατεπί σε επαφή με το τραπέζι.

	Εσωτερική γωνία	Εξωτερική γωνία
Αριστερή πλευρά	Λοξή κοπή αριστερά 45° Φυλάξτε την αριστερή πλευρά της κοπής	Λοξή κοπή δεξιά 45° Φυλάξτε την αριστερή πλευρά της κοπής
Δεξιά πλευρά	Λοξή κοπή δεξιά 45° Φυλάξτε τη δεξιά πλευρά της κοπής	Λοξή κοπή αριστερά 45° Φυλάξτε τη δεξιά πλευρά της κοπής

Υλικό έως 70 mm / 90mm μπορεί να κοπεί όπως περιγράφηκε πιο πάνω.

BES700 - 70 mm για 216 mm

BES710 - 90 mm για 254 mm

Κοπή κορνίζας οροφής

Για να εφαρμόσει σωστά, η κορνίζα οροφής πρέπει να κοπεί με σύνθετες λοξές κοπές εξαιρετικής ακρίβειας. Οι δύο επίπεδες επιφάνειες σε ένα τμήμα κορνίζας οροφής είναι σε γωνίες οι οποίες, αν προστεθούν δίνουν ακριβώς 90°. Οι περισσότερες, αλλά όχι όλες οι κορνίζες οροφής έχουν μια πάνω πίσω γωνία (το τμήμα που εφάπτεται στην οροφή) μεγέθους 52° και κάτω πίσω γωνία (το τμήμα που εφάπτεται στον τοίχο) μεγέθους 38°. Το φαλτσοπριόνό σας έχει ειδικά προρρυθμισμένα σημεία ασφάλισης στις 31,6° αριστερά και δεξιά για την κοπή κορνίζας οροφής στη σωστή γωνία. Επίσης υπάρχει σημάδι στην κλίμακα γωνίας φαλτσοκοπής στις 33,9°. Ο πίνακας Ρύθμιση φαλτσοκοπής/Τύπος κοπής δίνει τις σωστές ρυθμίσεις για την κοπή κορνίζας οροφής. (Οι αριθμοί για τις ρυθμίσεις λοξής κοπής και φαλτσοκοπής είναι πολύ ακριβείς και δεν είναι εύκολο να ρυθμιστούν με ακρίβεια στο πριόνι σας.) Επειδή τα περισσότερα δωμάτια δεν έχουν γωνίες ακριβώς 90°, θα χρειαστεί ούτως ή άλλως να προσαρμόσετε τις ρυθμίσεις σας με λεπτομέρεια.

Οδηγίες κοπής κορνίζας οροφής με την επίπεδη πλευρά στο τραπέζι και με χρήση των δυνατότητων σύνθετης κοπής

- ◆ Τοποθετήστε την κορνίζα με την πλατιά πίσω επιφάνεια να εφάπτεται πλήρως με την επιφάνεια του τραπεζιού του πριονιού (εικ. S1).
- ◆ Οι παρακάτω ρυθμίσεις είναι για όλες τις συνήθεις κορνίζες οροφής με γωνίες 52° και 38°.

Ρύθμιση φαλτσοκοπής	Τύπος κοπής
33,9°	ΑΡΙΣΤΕΡΗ ΠΛΕΥΡΑ, ΕΣΩΤΕΡΙΚΗ ΓΩΝΙΑ: 1. Πάνω μέρος της κορνίζας σε επαφή με τον οδηγό 2. Τραπέζι λοξής κοπής ρυθμισμένο δεξιά στις 31,6° 3. Φυλάξτε το αριστερό άκρο της κοπής
33,9°	ΔΕΞΙΑ ΠΛΕΥΡΑ, ΕΣΩΤΕΡΙΚΗ ΓΩΝΙΑ: 1. Κάτω μέρος της κορνίζας σε επαφή με τον οδηγό 2. Τραπέζι λοξής κοπής ρυθμισμένο αριστερά στις 31,6° 3. Φυλάξτε το αριστερό άκρο της κοπής
33,9°	ΑΡΙΣΤΕΡΗ ΠΛΕΥΡΑ, ΕΞΩΤΕΡΙΚΗ ΓΩΝΙΑ: 1. Κάτω μέρος της κορνίζας σε επαφή με τον οδηγό 2. Τραπέζι λοξής κοπής ρυθμισμένο αριστερά στις 31,6° 3. Φυλάξτε το δεξιό άκρο της κοπής
33,9°	ΔΕΞΙΑ ΠΛΕΥΡΑ, ΕΞΩΤΕΡΙΚΗ ΓΩΝΙΑ: 1. Πάνω μέρος της κορνίζας σε επαφή με τον οδηγό 2. Τραπέζι λοξής κοπής ρυθμισμένο δεξιά στις 31,6° 3. Φυλάξτε το δεξιό άκρο της κοπής

Σημείωση: Όταν ρυθμίζετε τις γωνίες φάλτσας και λοξής κοπής για όλες τις σύνθετες λοξές κοπές, να θυμάστε ότι οι γωνίες που παρουσιάζονται για κορνίζες οροφής είναι πολύ ακριβείς και είναι δύσκολο να ρυθμιστούν ακριβώς. Επειδή μπορούν να μετακινηθούν ελαφρά και πολύ λίγα δωμάτια έχουν ακριβές ορθογώνιες γωνίες, πρέπει να δοκιμάσετε όλες τις ρυθμίσεις σε άχρηστα κομμάτια κορνίζας.

Εναλλακτική μέθοδος για κοπή κορνίζας οροφής

Τοποθετήστε την κορνίζα υπό γωνία ανάμεσα στον οδηγό (12) και στο τραπέζι πριονιού (11), με την πάνω πλευρά της κορνίζας πάνω στο τραπέζι και την κάτω πλευρά της κορνίζας πάνω στον οδηγό όπως η εικόνα S2. Το πλεονέκτημα στην κοπή κορνίζας οροφής με αυτή τη μέθοδο είναι ότι δεν

χρειάζεται φαλτοσκοπή. Πολύ μικρές αλλαγές στη γωνία λοξής κοπής μπορούν να γίνουν χωρίς να επηρεαστεί η γωνία φαλτοσκοπής. Με αυτό τον τρόπο, όταν αντιμετωπίζετε γωνίες άλλες από 90°, το πριόνι μπορεί να ρυθμιστεί γρήγορα και εύκολα για τις γωνίες αυτές.

Οδηγίες κοπής κορνίζας οροφής σε γωνία ανάμεσα στον οδηγό και στη βάση του πριονιού για όλες τις κοπές

Αυτό το πριόνι μπορεί να κόψει έως 14 mm x 92 mm οροφής.

- ◆ Δώστε στο υλικό της κορνίζας γωνία τέτοια ώστε το κάτω μέρος του (το μέρος που στηρίζεται στον τοίχο όταν εγκατασταθεί η κορνίζα) να είναι σε επαφή με τον οδηγό (12) και το πάνω μέρος της κορνίζας να εδράζεται πάνω στο τραπέζι πριονιού (11), όπως δείχνει η εικόνα S2.
- ◆ Τα υπό γωνία επίπεδα τμήματα στο πίσω μέρος της κορνίζας πρέπει να εδράζονται τέλεια στον οδηγό και το τραπέζι πριονιού.

	Εσωτερική γωνία	Εξωτερική γωνία
Αριστερή πλευρά	Λοξή κοπή δεξιά στις 45° Φυλάξτε τη δεξιά πλευρά της κοπής	Λοξή κοπή αριστερά στις 45° Φυλάξτε τη δεξιά πλευρά της κοπής
Δεξιά πλευρά	Λοξή κοπή αριστερά στις 45° Φυλάξτε την αριστερή πλευρά της κοπής	Λοξή κοπή δεξιά στις 45° Φυλάξτε την αριστερή πλευρά της κοπής

Ειδικές κοπές

Ποτέ μην πραγματοποιήσετε οποιαδήποτε κοπή αν το υλικό δεν είναι στερεωμένο πάνω στο τραπέζι και σε επαφή με τον οδηγό.

Κυρτωμένο υλικό (εικ. T1, T2)

Όταν κόβετε κυρτωμένο υλικό πάντα ρυθμίζετε τη θέση του όπως φαίνεται στην Εικόνα T1 και σε καμία περίπτωση όπως δείχνει η Εικόνα T2. Η λανθασμένη τοποθέτηση του υλικού θα προκαλέσει την ενσφηνωση της λεπίδας όταν πλησιάζει η ολοκλήρωση της κοπής.

Κοπή στρογγυλών υλικών

Τα στρογγυλά υλικά πρέπει να συσφιγγονται ή να συγκρατούνται σταθερά ως προς τον οδηγό για να αποτραπεί η κύλισή τους. Αυτό είναι εξαιρετικά σημαντικό κατά την πραγματοποίηση κοπών υπό γωνία.

Κοπή μεγάλων υλικών (εικ. U)

Κατά καιρούς θα αντιμετωπίζετε κάποιο κομμάτι ξύλου που θα είναι πολύ μεγάλο για να χωρέσει κάτω από τον κάτω προφυλακτήρα. Για να περάσετε τον προφυλακτήρα πάνω από το ξύλο, με το πριόνι απενεργοποιημένο και με το δεξιό

σας χέρι πάνω στη λαβή χειρισμού, τοποθετήστε τον δεξιό σας αντίχειρα έξω από το πάνω τμήμα του προφυλακτήρα και ανεβάστε τον προφυλακτήρα μόνον όσο αρκεί για να περάσετε το ξύλο, όπως δείχνει η εικόνα U. Ελευθερώστε τον προφυλακτήρα πριν θέσετε σε λειτουργία το μωτέρ. Ο μηχανισμός του προφυλακτήρα θα λειτουργεί κανονικά κατά τη διάρκεια της κοπής. Αυτό πρέπει να το κάνετε μόνον όταν είναι απαραίτητο. ΣΕ ΚΑΜΙΑ ΠΕΡΙΠΤΩΣΗ ΜΗ ΔΕΞΕΤΕ, ΚΟΛΛΗΣΕΤΕ ΜΕ ΤΑΙΝΙΑ Ή ΣΥΓΚΡΑΤΗΣΕΤΕ ΜΕ ΟΠΟΙΟΝΔΗΠΟΤΕ ΑΛΛΟ ΤΡΟΠΟ ΤΟΝ ΠΡΟΦΥΛΑΚΤΗΡΑ ΣΕ ΑΝΟΙΚΤΗ ΘΕΣΗ ΚΑΤΑ ΤΗ ΧΡΗΣΗ ΤΟΥ ΠΡΙΟΝΙΟΥ ΑΥΤΟΥ. **Προειδοποίηση!** Πάντα να διασφαλίζετε ότι το εργαλείο είναι απενεργοποιημένο και έχει αποσυνδεθεί από την πρίζα πριν από εργασίες ρύθμισης ή ελέγχου της λειτουργίας του εργαλείου.

Μετά τη χρήση

- ◆ Μετά τη χρήση, σκουπίστε πριονίδια και σκόνη που έχουν προσκολληθεί στο εργαλείο με ένα πανί ή παρόμοιο μέσο.
- ◆ Διατηρήστε τον προφυλακτήρα λεπίδας καθαρό σύμφωνα με τις οδηγίες στο τμήμα που καλύφθηκε προηγουμένως.
- ◆ Λιπάνετε τα ολισθαίνοντα τμήματα με λάδι μηχανής για να αποτρέψετε την οξειδωση.
- ◆ Όταν αποθηκεύετε το εργαλείο, τραβήξτε το φορείο πλήρως προς το μέρος σας.

Μεταφορά του εργαλείου

- ◆ Βεβαιωθείτε ότι το εργαλείο έχει αποσυνδεθεί από την πρίζα.
- ◆ Στερεώστε τη λεπίδα σε γωνία φαλτοσκοπής 0° και περιστρέψτε τη βάση πλήρως στη δεξιά γωνία λοξής κοπής με τη βίδα ασφάλισης (28) των ράβδων ολισθήσης.
- ◆ Ασφαλίστε τις ράβδους ολισθήσης αφού τραβήξετε το φορείο πλήρως προς το μέρος σας.
- ◆ Χαμηλώστε τη λαβή πλήρως και ασφαλίστε το στη θέση του εισάγοντας τον πείρο ασφάλισης κεφαλής πριονιού (17).
- ◆ Μεταφέρετε το εργαλείο από τη λαβή μεταφοράς (22).
- ◆ Αν αφαιρέσετε τον σφιγκτήρα, τη σακούλα συλλογής σκόνης κλπ. μπορείτε να μεταφέρετε το εργαλείο ευκολότερα.
- ◆ Μεταφέρετε το εργαλείο με το ένα χέρι κρατώντας τη λαβή μεταφοράς (22) και με το άλλο χέρι κρατώντας τη βάση του εργαλείου.

Προσοχή! Πάντα να στερεώνετε όλα τα κινούμενα μέρη πριν μεταφέρετε το εργαλείο. Ο πείρος ασφάλισης κεφαλής πριονιού (17) προορίζεται μόνο για μεταφορά και αποθήκευση και όχι για οποιαδήποτε εργασία κοπής.

Αντιμετώπιση προβλημάτων

Πρόβλημα	Πιθανή αιτία	Λύση
Ο κινητήρας δεν ξεκινά	Το πριόνι δεν έχει συνδεθεί στην πρίζα.	Ελέγξτε ότι έχουν συνδεθεί όλα τα καλώδια στην πρίζα.
Ανακριβής γωνία κοπής	Τραπέζι λοξής κοπής απασφαλισμένο.	Χρησιμοποιήστε τον μαχλό ασφάλισης του τραπέζιού λοξής κοπής (βλ. Ρύθμιση του τμήματος γωνίας λοξής κοπής.
	Πάρα πολλή σκόνη κοπής κάτω από το τραπέζι.	Απομακρύνετε τη σκόνη με αναρρόφηση ή φύσημα. Φοράτε προστασία ματιών.
Ο βραχίονας κοπής δεν μπορεί να ανυψωθεί πλήρως ή ο προφυλακτήρας λεπίδας δεν μπορεί να κλείσει πλήρως	Βλάβη εξαρτημάτων.	Απευθυνθείτε στο κέντρο σέρβις.
	Ελατήριο περιστροφής δεν έχει αντικατασταθεί σωστά μετά από σέρβις.	Απευθυνθείτε στο κέντρο σέρβις.
	Συσσώρευση σκόνης κοπής.	Καθαρίστε και λιπάνετε τα κινούμενα μέρη.
	Δεν έχει τοποθετηθεί σωστά ο πείρος ασφάλισης κεφαλής πριονιού.	Ελέγξτε, ρυθμίστε και τοποθετήστε σωστά τον πείρο ασφάλισης κεφαλής πριονιού.
Η λεπίδα μαγκώνει, σφηνώνει ή δονείται	Έχει υποστεί ζημιά η λεπίδα πριονιού.	Αντικαταστήστε τη λεπίδα.
	Μη αιχμηρή λεπίδα.	Αντικαταστήστε ή τροχίστε τη λεπίδα.
	Ακατάλληλη λεπίδα.	Αντικαταστήστε τη λεπίδα.
	Στρεβλή λεπίδα.	Αντικαταστήστε τη λεπίδα.
Το πριόνι δονείται ή τραντάζεται	Έχει υποστεί ζημιά η λεπίδα πριονιού.	Αντικαταστήστε τη λεπίδα.
	Έχει λασκάρει η λεπίδα πριονιού.	Σφίξτε το μπουλόνι του άξονα.
	Το πριόνι δεν έχει στερεωθεί σωστά.	Στερεώστε το πριόνι σε πάγκο, βάση ή τραπέζι.
	Το αντικείμενο εργασίας δεν υποστηρίζεται σωστά.	Υποστηρίξτε σωστά ή σφίξτε το αντικείμενο εργασίας.

Προστασία του περιβάλλοντος



Χωριστή συλλογή. Τα προϊόντα και οι μπαταρίες που επισημαίνονται με αυτό το σύμβολο δεν πρέπει να απορρίπτονται μαζί με τα κανονικά οικιακά απορρίμματα.

Τα προϊόντα και οι μπαταρίες περιέχουν υλικά που μπορούν να ανακτηθούν ή να ανακυκλωθούν ώστε να μειωθούν οι ανάγκες για πρώτες ύλες. Παρακαλούμε να ανακυκλώνετε τα ηλεκτρικά προϊόντα και τις μπαταρίες σύμφωνα με τους τοπικούς κανονισμούς. Περισσότερες πληροφορίες είναι διαθέσιμες στο www.2helpU.com.

Τεχνικά δεδομένα

		BES700 Τύπος 1	BES710 Τύπος 1
Τάση	V	230	230
Ταχύτητα	σ.α.λ.	4800	5000
Εξωτερική διάμετρος λεπίδας	mm	216	254
Διάμετρος οπής	mm	30	30
Βάρος	kg	12,1	14,9
Πάχος λεπίδας	mm	1,8	1,8
Μέγ. εντομή λεπίδας	mm	2,8	2,8
Λοξή κοπή (μέγ. θέσεις)	°	+/- 47	+/- 47
Φαλτσκοπή (μέγ. θέσεις)	°	47	47
Μέγ. ικανότητα εγκάρσιας κοπής σε 90°	mm	305	305
Μέγ. ικανότητα λοξής κοπής σε 45°	mm	203	203
Μέγ. βάθος κοπής σε 90°	mm	70	90
Μέγ. βάθος κοπής σε 45°	mm	35	40

Στάθμη ηχητικής πίεσης σύμφωνα με το EN 62841:

L_{pA} (ηχητική πίεση) 97,5 dB(A), αβεβαιότητα (K) 3 dB(A)

L_{WA} (ηχητική ισχύς) 108,0 dB(A), αβεβαιότητα (K) 3 dB(A)

Στάθμη ηχητικής πίεσης σύμφωνα με το EN 62841:

L_{pA} (ηχητική πίεση) 96,0 dB(A), αβεβαιότητα (K) 3 dB(A)

L_{WA} (ηχητική ισχύς) 107,5 dB(A), αβεβαιότητα (K) 3 dB(A)

Δήλωση συμμόρφωσης ΕΚ

ΟΔΗΓΙΑ ΠΕΡΙ ΜΗΧΑΝΗΜΑΤΩΝ



BES700, BES710 Συρόμενο σύνθετο φαλτσοπριονό

Η Black & Decker δηλώνει ότι τα προϊόντα αυτά που περιγράφονται στα "τεχνικά χαρακτηριστικά" συμμορφώνονται με:
EN62841-1:2015, EN62841-3-9:2015+A11:2017

Αυτά τα προϊόντα συμμορφώνονται και με την Οδηγία 2006/42/ΕΕ, 2014/30/ΕΚ και 2011/65/ΕΕ.

Για περισσότερες πληροφορίες, επικοινωνήστε με την Black & Decker στην παρακάτω διεύθυνση ή ανατρέξτε στο πίσω μέρος του εγχειριδίου.

Ο κάτωθι υπογεγραμμένος είναι υπεύθυνος για την κατάρτιση του τεχνικού φακέλου και δηλώνει τα παρόντα εκ μέρους της Black & Decker.



A. P. Smith
Τεχνικός Διευθυντής
Black & Decker Europe, 210 Bath Road, Slough,
Berkshire, SL1 3YD
United Kingdom (Ηνωμένο Βασίλειο)
01/03/2019

Εγγύηση

Η Black & Decker είναι σίγουρη για την ποιότητα των προϊόντων της και προσφέρει στους καταναλωτές εγγύηση 24 μηνών από την ημερομηνία αγοράς. Αυτή η εγγύηση συμπληρώνει και με κανένα τρόπο δεν παραβλάπτει τα νόμιμα δικαιώματά σας. Η εγγύηση ισχύει εντός της επικράτειας των χωρών μελών της Ευρωπαϊκής Ένωσης και της Ευρωπαϊκής Ζώνης Ελεύθερων Συναλλαγών.

Για να υποβάλετε αξίωση βάσει της εγγύησης, η αξίωση θα πρέπει να είναι σύμφωνη με τους Όρους και προϋποθέσεις της Black & Decker και θα χρειαστεί να υποβάλετε απόδειξη αγοράς στον πωλητή ή σε εξουσιοδοτημένο αντιπρόσωπο επισκευών. Μπορείτε να αποκτήσετε τους Όρους και προϋποθέσεις της εγγύησης 2 ετών της Black & Decker και να μάθετε την τοποθεσία του πλησιέστερου εξουσιοδοτημένου αντιπροσώπου επισκευών στο Internet στο **www.2helpU.com**, ή επικοινωνώντας με το τοπικό σας γραφείο Black & Decker στη διεύθυνση που υποδεικνύεται στο παρόν εγχειρίδιο.

Παρακαλούμε επισκεφθείτε την ιστοσελίδα μας **www.blackanddecker.gr** για να καταχωρίσετε το νέο σας προϊόν BLACK+DECKER και για να ενημερώνεστε για τα νέα προϊόντα και τις ειδικές προσφορές.

België/Belgique/Luxembourg www.blackanddecker.be enduser.be@sbdinc.com	Stanley Black & Decker Belgium BVBA Egide Walschaertsstraat 16 2800 Mechelen	Tel. NL +32 15 47 37 65 Tel. FR +32 15 47 37 66 Fax. +32 15 47 37 99
Danmark	Black & Decker Roskildevej 22 2620 Albertslund	kundeservice.dk@sbdinc.com www.blackanddecker.dk
Deutschland www.blackanddecker.de infobdgc@sbdinc.com	Stanley Black & Decker Deutschland GmbH Black & Decker Str. 40, D - 65510 Idstein	Tel. 06126 21-0 Fax 06126 21-2980
Ελλάδα www.blackanddecker.gr greece.service@sbdinc.com	Stanley Black & Decker (ΕΛΛΑΣ) Ε.Π.Ε ΓΡΑΦΕΙΑ: Σπύριδωνος 7 & Βουλιαγμένης 166 74 Γλυφάδα - Αθήνα	Τηλ. 210-8981616 Φαξ 210-8983570
SERVICE:	Ημερος Τόπος 2 -Χάνι Αδάμ 193 00 Ασπρόπυργος - Αθήνα	Τηλ. Service 210-8985208 Φαξ 210-5597598
España www.blackanddecker.es respuesta.posventa@sbdinc.com	Stanley Black & Decker Ibérica, S.C.A. Parc de Negocis "Mas Blau" Edificio Muntadas, c/Bergadá, 1, Of. A6 08820 El Prat de Llobregat (Barcelona)	Tel. 934 797 400 Fax 934 797 419
France www.blackanddecker.fr	Black & Decker (France) S.A.S. 5 allée des Hêtres B.P. 30084 69579 Limonest Cédex	Tel. 04 72 20 39 20 Fax 04 72 20 39 00
Helvetia www.blackanddecker.ch service@rofoag.ch	ROFO AG Gewerbezone Seeblick 3213 Kleinbödingen	Tel. 026-6749393 Fax 026-6749394
Italia www.blackanddecker.it service.italia@sbdinc.com	Stanley Black & Decker Italia Via Energypark 6 20871 Vimercate (MB)	Tel. 039-9590200 Fax 039-9590313 Numero verde 800-213935
Nederland www.blackanddecker.nl enduser.nl@sbdinc.com	Stanley Black & Decker Netherlands BV Holtum Noordweg 35, 6121 RE BORN Postbus 83, 6120 AB BORN	Tel. +31 164 283 065 Fax +31 164 283 200
Norge	Black & Decker Postboks 4613, Nydalen 0405 Oslo	kundeservice.no@sbdinc.com www.blackanddecker.no
Österreich www.blackanddecker.at service.austria@sbdinc.com	Stanley Black & Decker Austria GmbH Oberlaaerstraße 248, A-1230 Wien	Tel. 01 66116-0 Fax 01 66116-614
Portugal www.blackanddecker.pt resposta.posvenda@sbdinc.com	Black & Decker Limited SARL Quinta da Fonte - Edifício Q55 D, Diniz Rua dos Malhães, 2 e 2A - Piso 2 Esquerdo 2770 - 071 Paço de Arcos	Tel. 214667500 Fax 214667580
Suomi	Black & Decker PL47 00521, Helsinki	asiakaspalvelu.fi@sbdinc.com www.blackanddecker.fi
Sverige	Black & Decker AB Box 94, 431 22 Mölndal	kundservice.se@sbdinc.com www.blackanddecker.se
Türkiye www.blackanddecker.com.tr	KALE Hırdavat ve Makina A.Ş. Deftardar Mah. Savaklar Cad. No:15 Edimekapı / Eyüp / İstanbul 34050	Tel. 0212 533 52 55 Fax. 0212 533 10 05
United Kingdom & Republic Of Ireland www.blackanddecker.co.uk emeaservice@sbdinc.com	Black & Decker 210 Bath Road Slough, Berkshire SL1 3YD	Tel. 01753 511234 Fax 01753 512365
Middle East & Africa www.blackanddecker.ae service.mea@sbdinc.com	Black & Decker P.O.Box - 17164 Jebel Ali Free Zone (South), Dubai, UAE	Tel. +971 4 8863030 Fax +971 4 8863333